

Owner's Manual and Safety Guide

Whittier
Wood™
FURNITURE

Thank you for allowing Whittier Wood Furniture to help you furnish your home. We are certain you will be delighted with your new furniture. Please take a few minutes to read this Owner's Manual and Safety Guide. It contains very important safety information as well as details on certain features, functions and care tips of your furniture.



Safety First! Anchor It!



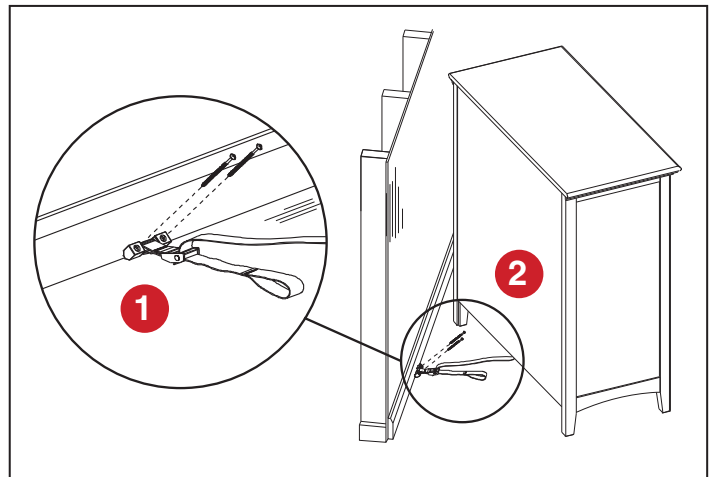
Safety First, Anchor It and Protect A Child:

Whittier Wood Furniture is concerned about the safety of our customers. It is important you follow the instructions and guidelines to prevent furniture tip-over injury.

“NO HOLES IN THE WALL”

Tipping Restraint:

Whittier has developed a unique system that makes it very easy to anchor our furniture. A high strength polypropylene strap is attached at the base of designated furniture. The other end anchors below the baseboard. Please follow the complete instructions in the Tipping Restraint Kit attached to the bottom of your unit. If you cannot locate the restraint, please contact us for immediate replacement. **Not all products require a tipping restraint.** Please consult the parts list of the Assembly Instructions included in this guide.



- 1 NO HOLES IN THE WALL.** Easily attaches with two screws to the bottom plate of the wall or sub-floor sheathing.
- 2** High strength polypropylene strap already attached to the furniture.

For Questions or Replacement Tipping Restraint:

Customer Service: 800-653-3336 • **Outside the U.S. or Canada:** 541-687-0213

Fax: 541-678-2060 • **Email:** Info@whittierwood.com

3787 West 1st Avenue • P.O. Box 2827 • Eugene, Oregon • USA 97402 • whittierwood.com

NOT TO BE REMOVED EXCEPT BY THE CONSUMER

Furniture Care

Your Whittier Wood Furniture piece has been created so it will last for many years to come. Our construction methods are of the highest quality and we only use solid hardwood or veneered hardwood. Wood naturally varies in grain, texture and color. These variations contribute to the originality and uniqueness of each Whittier piece.

- Dust with a soft cloth slightly dampened with water. Wipe in the direction of the wood grain.
- Fingerprints and greasy smears can be removed with a solution of 1 part white vinegar to 4 parts water.

- If you would rather use a commercial product Simple Green® will not damage the finish. A final wipe with clean water and a soft cloth is recommended.
- To prevent scratching, use felt discs under lamps or accessories that are placed on the furniture.
- If you choose to use glass on top of wood, use discs between the glass and the wood to allow air circulation.
- Keep in a climate controlled environment, avoiding exposure to strong sunlight, excessive heat or water.
- Please do not use cleaning products with ammonia or silicone base.

Drawer Removal and Installation

Chests and Dressers include an Anti-Tip drawer interlock safety mechanism allowing only one lower drawer or one lower drawer per vertical bank of drawers to be opened at a time. See below.

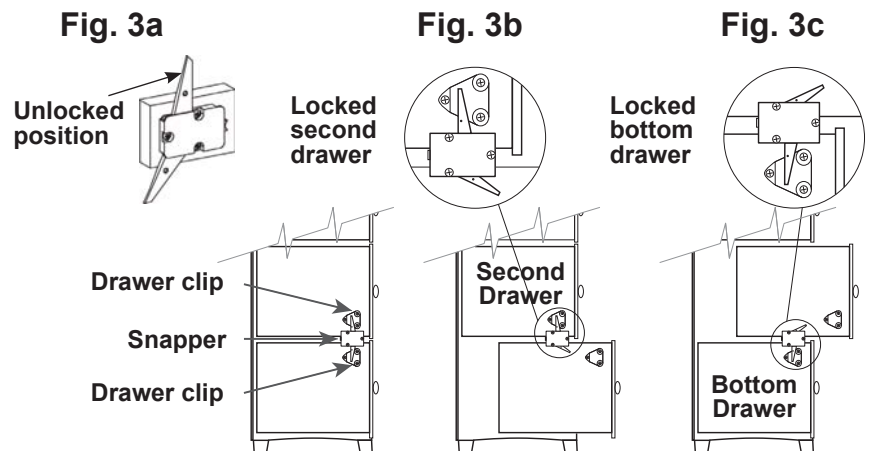
- **Removal:** Pull up on the left Drawer Release Lever while pushing down on the right Drawer Release Lever and pull out the drawer, see Fig. 1. Note where each drawer came from to make sure you place them back into their correct positions. Drawers are numbered on the bottom or back of the drawers.
- **Installation:** Fully extend the movable portion of the slides from the side of the case, see Fig. 2. Carefully align the drawer slides with the extended case slides and slowly insert the drawer. Check to be sure the drawer slides have not slipped out of the cabinet slides. About 3" from closure you may encounter some resistance. Check for alignment again and if everything is alright, push through the resistance.

Helpful hints for installation:

- Go slow. Be patient.
- Keep an eye on the drawer slides to make certain they do not slip out of the tracks.
- You can expect to encounter resistance when the drawer is about 3" from being all the way closed. Check the slides for alignment again then push through the resistance.

Anti-Tip Drawer Interlock Safety Mechanism

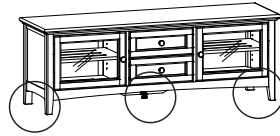
To remove both the lower drawers, remove the second drawer first. When you remove this drawer the upper arm on the Anti-Tip Snapper for that drawer will be pulled forward. See Fig. 3c. As long as this arm is angled toward the front of the case, you cannot remove the bottom drawer. Move the upper arm of the Snapper as shown in Fig. 3a to the unlocked position. To reinstall the drawers, install the bottom drawer first and then move the upper arm of the Anti-tip Snapper to the forward locked position. Now you can reinstall the second drawer. Do not defeat or remove the drawer interlock system. Install the tipping restraint if one is provided.



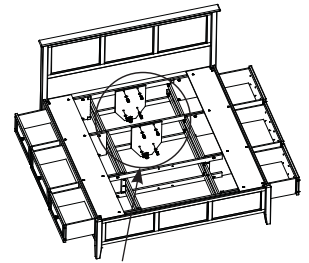
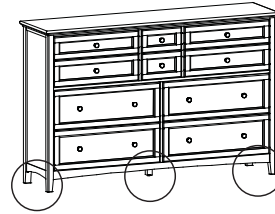
Adjustable Glides

Beds, wide dressers and media consoles need to have the center foot or feet SUPPORTING the weight of the furniture. Please make sure to adjust the glides according to the instructions.

Adjustable Glides come preinstalled and are also useful for leveling your furniture. Please refer to the assembly instructions for more detailed information.



On each leg and center foot/feet



Under bed frame

Finishing Hints

Getting started

Completely read both the Assembly Instructions and the Finishing Hints before you begin your project. Assembly Instructions may contain special information for that item.

Choosing the finish: Ask your retailer for advice on how to finish bare wood.

Where to work: Choose an area that has good light and is well ventilated, warm and dry.

Finishing hints

1. Use products of the same brand to ensure compatibility. It is not recommended to mix oil based and water based finishes. Always read and follow all label directions on the can.
2. Alder is a porous hardwood and often looks best when following the finishing instructions for softwoods.

Preparing the surface

1. Sand each piece with #220 grit sandpaper. Sand with the grain of the wood on flat surfaces and opposite the grain on turnings. Some parts may be plywood. Be careful not to sand through the veneer.

Limited Warranty

As a family owned and operated company we are committed to making a quality product as if we were making it for ourselves.

Whittier Wood Furniture warrants to the original purchaser that our furniture and all its parts and components are free of defects in material and workmanship. If you find a defect in material or workmanship, Whittier Wood Furniture will replace the part free of charge. "Defects" as defined in this warranty, are any imperfection in material or workmanship that will impair the use of the furniture product. Our warranty is expressly limited to the replacement of furniture parts and/or components.

Customer Service

If at any time you should have a question please contact our Customer Service Department. Our website also contains product information you may find helpful.

Monday-Friday 7:00a.m. to 5:00p.m. PT.

You may leave a message 24 hours a day, seven days a week.

Phone: 800-653-3336 • **Outside the U.S. or Canada:** 541-687-0213 • **Fax:** 541-687-2060

Email: Info@whittierwood.com. • whittierwood.com • P.O. Box 2827, Eugene, Oregon 97402, U.S.A.

Rev. AUF/Strap - January 2017

2. When sanding is completed, wipe the surface of your furniture with a lint-free rag or tack cloth. Make sure the item is free of dust before you proceed.

Staining

1. Always read and follow all label directions. Stir the stain well before you start. Stir periodically throughout the duration of the project to maintain uniform color consistency.

Applying the top coat

1. Always read and follow all label directions. Stir your top coat gently; do not shake. Shaking the can create bubbles that are hard to remove.
2. All surfaces including the interior and inside drawers must be sealed with at least one layer of a top coat.

Painting

1. Always read and follow all label directions. Ask specifically for advice on finishing bare wood.
2. No top coat is required when using paint.

Whittier Wood Furniture's limited warranty is for two years from date of purchase and is limited to the original purchaser. In addition, we will work with the retailer where the item was purchased if repairs are needed. In no event shall Whittier Wood Furniture be liable for damages resulting from the use of the product.

This limited warranty does not cover:

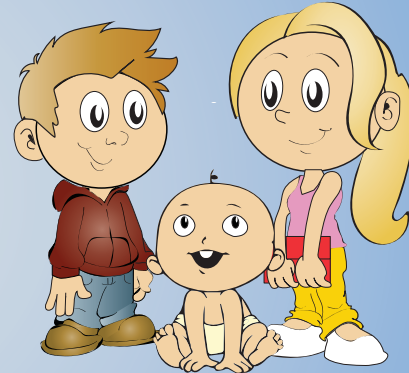
- 1) Defects occurring after purchase due to product modification, intentional damage, accident, misuse, abuse, or negligence.
- 2) Freight or handling damage
- 3) Normal wear and tear due to age
- 4) Labor or assembly costs

Safety First! Anchor It!

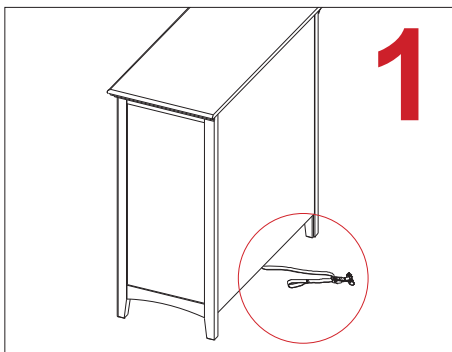
And Protect A Child

According to the U.S. Consumer Product Safety Commission an estimated **21,700** children under the age of 18 were treated annually in U.S. hospital emergency rooms for TV, furniture and appliance related tip-over injuries from 2011 to 2013. Most of these injuries could have been prevented by just using a tipping restraint.

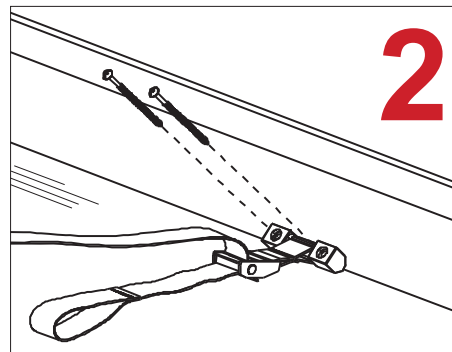
For more information: www.AnchorIt.gov



Three Easy Steps



Locate the tipping strap attached to the furniture.



Loosen the strap and attach the bracket at a 45° angle under the baseboard in the desired location.



Push furniture against the wall and reach underneath to grasp the loop. Pull the loop end until tight.

Guidelines and safety tips:



- Anchor furniture to the floor or wall. Use the Tipping Restraint Kit included with our product. Use of tip-over restraint may only reduce but not eliminate the risk of tip-over.
- Place heaviest items in the bottom drawers.
- Do not allow children to climb or hang on drawers, doors or shelves.
- Unless specifically designed to accommodate, do not set TVs or other heavy objects on top of your furniture.
- Place TVs on sturdy, low bases securing them with tipping restraints.
- Anchor the furniture and the TV on top of it. Push the TV as far back as possible.
- Keep remote controls, toys and other items that may be attractive to children off the TV stands and furniture.
- Keep TV and/or cable cords out of reach of children.
- Supervise children in rooms where these safety tips have not been followed.

Even if the furniture does not require tipping restraints, it's important these guidelines are followed to prevent injuries.