

Pacific Dresser

Assembly Instructions

Model #

1137AUF 9-Drawer Pacific Dresser



Model #

1140AUF 12-Drawer Pacific Dresser



Congratulations!

This fine piece of furniture will make a gorgeous addition to your home. For the best results, read the Assembly Instructions and Finishing Hints before you begin your project.

WARNING!

Serious or fatal crushing injuries can occur from furniture tip-over. To help prevent tip-over:

- Place heaviest items in the drawer bottoms.
- Unless specifically designed to accommodate, do not set TVs or other heavy objects on top of this product.
- Never allow children to climb or hang on drawers, doors or shelves.
- Never open more than one drawer at a time.

Use of tip-over restraints may only reduce but not eliminate the risk of tip-over.

IMPORTANT NOTES:

- For normal household use only. **Not** recommended for commercial use.
- Do not climb, sit or stand on this piece of furniture.
- Unload items before you move this unit.
- Before you load or move this unit, make sure all screws and supports are tight.
- Before you begin your project, completely read the Assembly Instructions and Finishing Hints.
- Store this item: 1- in its box; 2- in a dry place; 3- in temperatures that range from 40° to 90° (not on a cold and possibly damp cement floor).
- Periodically inspect your furniture for any loose glue joints, screws or any other problem that might affect the stability of your furniture. Tighten or repair as needed.

DESIGN SUBJECT TO CHANGE WITHOUT NOTICE.



CALL US FIRST! *Do not return this item to the store.*

Service Policy: We will replace any part that is defective, missing or damaged during assembly. Please contact Whittier Wood Products customer service department directly by phone, fax, mail or email for a replacement part.

Hours: Our friendly customer service staff can be reached Monday-Friday 7:00 a.m. to 5:00 p.m. (Pacific Time). You may leave a message 24 hours a day, seven days a week.

To Order: Provide the furniture model number (upper left corner of this page), the part letter, production code, quantity needed, reason for replacement, your full name, address and telephone number.

Parts ship from our Eugene, Oregon factory within one or two business days from the time we receive your request. Please allow five to ten business days for delivery.

800-653-3336 • Outside the U.S. or Canada: 541-687-0213 • Fax: 541-687-2060
www.whittierwood.com • P.O. Box 2827 • Eugene, Oregon 97402, U.S.A.

**Whittier
Wood**
FURNITURE

P.O. Box 2827
Eugene, OR 97402 USA

Production Code:

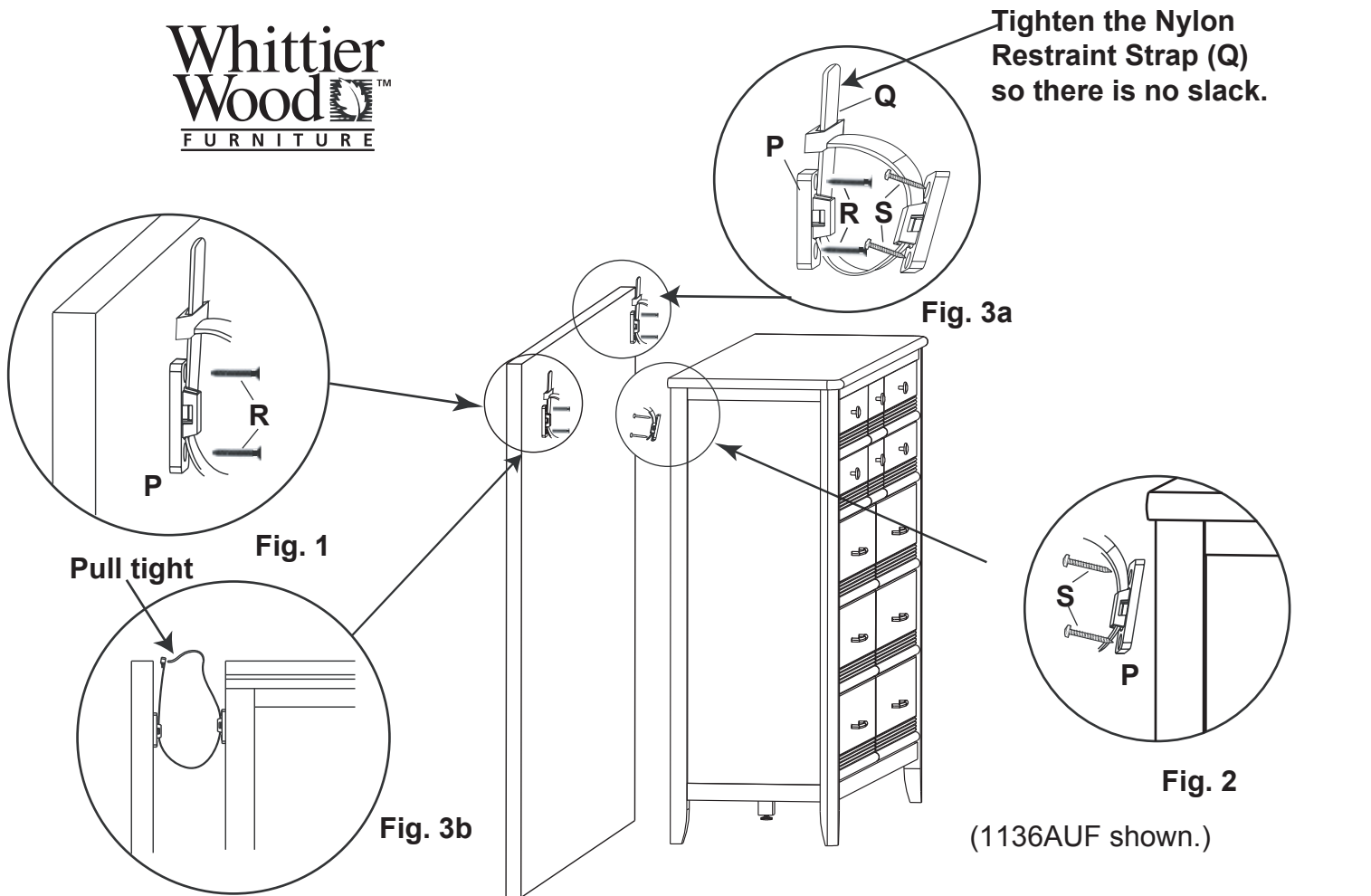
VN

11/09

1137AUF & 1140AUF Pacific Dresser – Parts List

Please identify the parts and check that quantities received match what is on this list.
If you need to replace a part, refer to the following letter and item name.

| Part | Description | Quantity | |
|------|---|----------|---------|
| | | 1137AUF | 1140AUF |
| A | Top Assembly | 1 | 1 |
| B | Case | 1 | 1 |
| C | Medium Left Drawer | 1 | 2 |
| D | Medium Right Drawer | 1 | 2 |
| E | Large Left Drawer | 3 | 3 |
| F | Large Right Drawer | 3 | 3 |
| G | Small Drawer with secret storage | 1 | 1 |
| H | Small Drawer | 0 | 1 |
| I | Medium Drawer Face | 2 | 4 |
| J | Large Drawer Face | 6 | 6 |
| K | Small Drawer Face | 1 | 2 |
| L | Knob (attached) | 3 | 6 |
| M | Handle (attached) | 6 | 6 |
| N | 4x41mm Machine Screw (inserted) | 15 | 18 |
| O | Drawer Slides (pre-installed sets) | 9 | 12 |
| ZB | #6 x 1/2" Undercut Screw (inserted) | 108 | 144 |
| V | Hinge (attached) | 1 | 1 |
| U | #6x5/8" Flat Head Screw (inserted) | 2 | 2 |
| X | T-Nut (inserted) | 5 | 5 |
| Y | Small Adjustable Glide (installed) | 4 | 4 |
| Z | Adjustable Glide (installed) | 1 | 1 |
| W | Assembled Foot (attached) | 1 | 1 |
| ZA | #8x1-3/16" Flat Head Screw (inserted) | 4 | 4 |
| ZC | #8x1" Lo-Profile Screw (inserted) | 48 | 60 |
| ZD | #8x1-1/4" Pan Head Screw (inserted) | 14 | 16 |
| ZE | #8x1-1/4" Black Screw (inserted) | 64 | 76 |
| ZF | #8x1" Black Screw (inserted) | 16 | 16 |
| ZG | #8x1-3/4" Pan Head Screw (inserted) | 10 | 14 |
| ZH | #8x1-5/8" Black Screw (inserted) | 6 | 6 |
| ZI | #8x2" Black Screw (inserted) | 1 | 1 |
| P | Clip | 4 | 4 |
| Q | Nylon Restraint Strap | 2 | 2 |
| R | #8 x 2" Black Screw | 4 | 4 |
| S | #8 x 1" Pan Head Screw | 4 | 4 |



TO LEVEL THE UNIT:

1. Adjustable glides (Y and Z) are attached to the bottoms of the feet. Rotate the glides until the unit stands level.

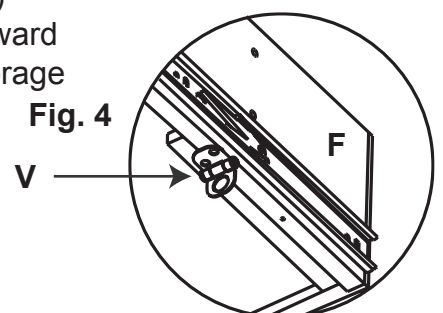
TIPPING RESTRAINT:

2. Position the unit at your desired location. Locate two studs in the wall behind the unit. Attach a Clip (P) to each wall stud with #8 x 2" Black Screws (R). See Figure 1. Attach a second clip to the unit with #8 x 1" Pan Head Screws (S). See Figure 2. Connect the two clips with the Nylon Restraint Strap (Q). **Pull the Nylon Restraint Strap (Q) tight so there is no slack.** See Figures 3a and 3b. If you cannot locate two studs, purchase the proper wall attachment hardware for your type of wall and secure the unit according to that hardware's instructions.

Unless specifically designed to accommodate, do not set TVs or other heavy objects on top of this product.

TO ACCESS THE CONCEALED STORAGE:

3. Open the top right large drawer (F). Reach in until you find the Hinge (V) that is attached to the bottom of the small drawer. Pull the Hinge (V) forward and pull the drawer out far enough so you can access the concealed storage space. To close the drawer, just push it shut. See Figure 4.



Finishing Hints

Choosing the Finish:

1. Choose a finish that will meet your expectations for the product you are finishing. Are you matching existing furniture or do you want a "natural" finish? Is the piece to be functional, decorative or both? The answers to these questions may affect the type of finish you choose.
2. Use products of the same brand to ensure compatibility of products.
3. **ALWAYS** follow the stain manufacturer's instructions. Alder is a porous hardwood and often looks best when following the finishing directions for softwoods
4. We recommend using a wood conditioner under oil base stains.
5. Work in a well ventilated and well lit area.

Getting Started

1. **Assembly Instructions may contain special finishing information for that item.** Read both the Assembly Instructions and these Finishing Hints completely before beginning.
2. Sand the entire piece, using #220 grit sandpaper. Sand with the grain of the wood on flat surfaces and opposite the grain on turnings. Some parts are plywood. Be careful not to sand through the veneer. End grain (table top ends, seat edges, grooves on turnings, etc.) accepts more stain. Extra sanding in these areas with a #320 grit sandpaper will reduce stain absorption, creating a more evenly stained piece.
3. When sanding is completed, wipe the surface of your furniture with a cloth or tack rag. Make sure the item is free of dust before proceeding.

Staining

1. Read and follow label directions. Stir stain well before starting.
2. Test stain on an inconspicuous spot on your project, or use the sample chip if one is provided. The sample chip must be sanded in the same way as your furniture kit to ensure the piece will accept the stain similarly. Put at least one coat of your top coat over the stain sample, as it also affects the look of the stain. **Test every type of wood that is in your kit.** Some of our products include more than one type of wood, which may react differently to the stain color. Sample chips for the different woods may be included. It may be necessary to add a second coat of stain to lighter woods to match the darker woods in your kit.

Basic Equipment:

- | | | |
|--|---|--|
| <input type="checkbox"/> Rubber gloves | <input type="checkbox"/> Tack cloth | <input type="checkbox"/> #220 & #320 sandpaper |
| <input type="checkbox"/> Rags | <input type="checkbox"/> Drop cloth | <input type="checkbox"/> Mineral spirits |
| <input type="checkbox"/> Paper towels | <input type="checkbox"/> Paint brushes (bristle and foam) | <input type="checkbox"/> Masking Tape |
| <input type="checkbox"/> Q-tips | | |

3. Apply stain with a poly brush or lint-free cloth. Apply stain over a small area and wipe off excess. Working in small areas will make the color easier to control.
4. Q-tips are ideal for hard to reach areas.
5. Allow to dry thoroughly before proceeding.

Applying the Top Coat:

No top coat is required if using paint.

1. **Always read and follow all label directions.** Stir your finish coat gently, **do not shake.** It will create bubbles that are hard to remove.
2. **All surfaces** (including the underside of table tops and inside drawers) **must be sealed with at least one layer of a top coat.** This will help minimize wood swelling, shrinkage, warping and cupping due to changes in moisture content or temperature.
3. We recommend that you **apply a minimum of two coats when using polyurethane or varnish (especially on all table top and work surfaces).** Sand lightly between coats using a #320 grit sandpaper or 00 steel wool for the smoothest possible finish.
4. Some water-based finishes tend to raise the grain slightly. This can be easily controlled with this sanding step. However, do not use steel wool when using water-based finishes. Strands of steel fiber caught in the wood can cause rust spots when coated with any water-based product.

Painting:

1. For best results when painting, first coat the wood with a primer. An oil based primer would be best for a smooth finish. If you do not wish to use a solvent based primer, a water based primer would work almost as well.
2. Buy a quality brand paint. You may use a satin, semi-gloss, or gloss sheen. Apply a second coat for a smooth finish. Lightly sand between coats using a #320 grit sandpaper, so that the second coat will bond well. Repeat as desired.
3. Since there is such a variation between paint manufacturers, refer to your paint supplier for specific advice on using the paint that you purchase.