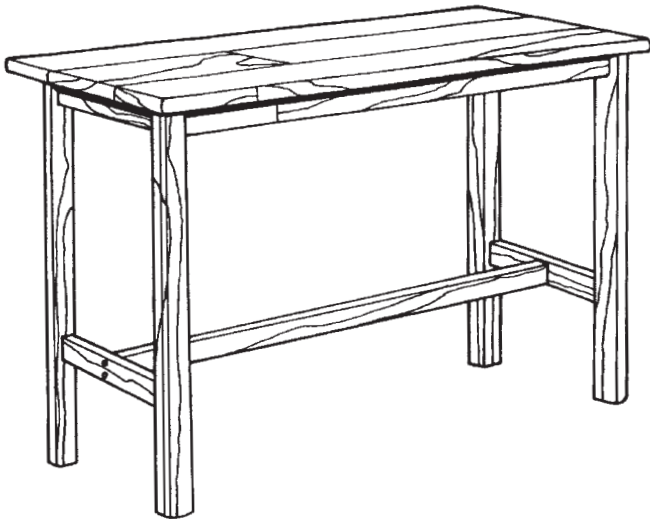


Model #

118Wc

Kitchen Island

Assembly Instructions



Congratulations!

This fine piece of furniture will make a handsome addition to your home. For the best results, start by reading both the Assembly Instructions and Finishing Hints before you begin your project.

**For normal household use only.
NOT recommended for commercial use.**



Do not climb, sit or stand on this piece of furniture.

DESIGN SUBJECT TO CHANGE WITHOUT NOTICE.



P.O. Box 2827
Eugene, OR 97402 USA



CALL US FIRST!
DO NOT RETURN ITEM TO STORE

Service Policy: We will replace any parts which are defective, missing or damaged during assembly. Please contact Whittier Wood Products customer service department directly (by phone, fax, mail or email) for replacement parts.

Hours: Our friendly customer service staff can be reached Monday-Friday 7:00 a.m. to 5:00 p.m. (Pacific Time). A message can be left 24 hours a day, 7 days a week.

To Order: Provide the complete furniture model number (upper left corner of this page), part letter, production code, quantity needed, reason for replacement and your full name and address along with a telephone number in case we need to contact you.

Parts ship from our Eugene, Oregon factory within 1 or 2 business days from the time we receive the request. Please allow 5-10 business days for delivery.

800-653-3336

Outside U.S. or Canada: 541-687-0213

Fax: 541-687-2060 • www.whittierwood.com

Mail: P.O. Box 2827 • Eugene, Oregon 97402, U.S.A.

IMPORTANT NOTES:

- Read both the Assembly Instructions and Finishing Hints completely before beginning your project.
- If you choose to use the top for food preparation, it should be finished with a **non-toxic** substance such as mineral oil or butcher block oil.
- Store the parts: 1) in their box; 2) in a dry place; 3) in temperatures ranging from 40° to 90°. (Not on a cold, possibly damp, cement floor.)
- Inspect your furniture periodically for any loose glue joints, screws, or any other problem that might affect the stability of your furniture. Tighten or repair as needed.

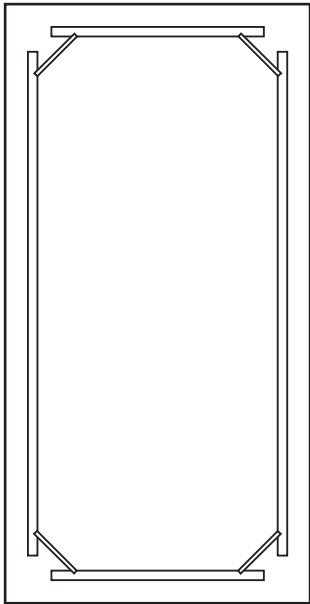
Production Code:

VN

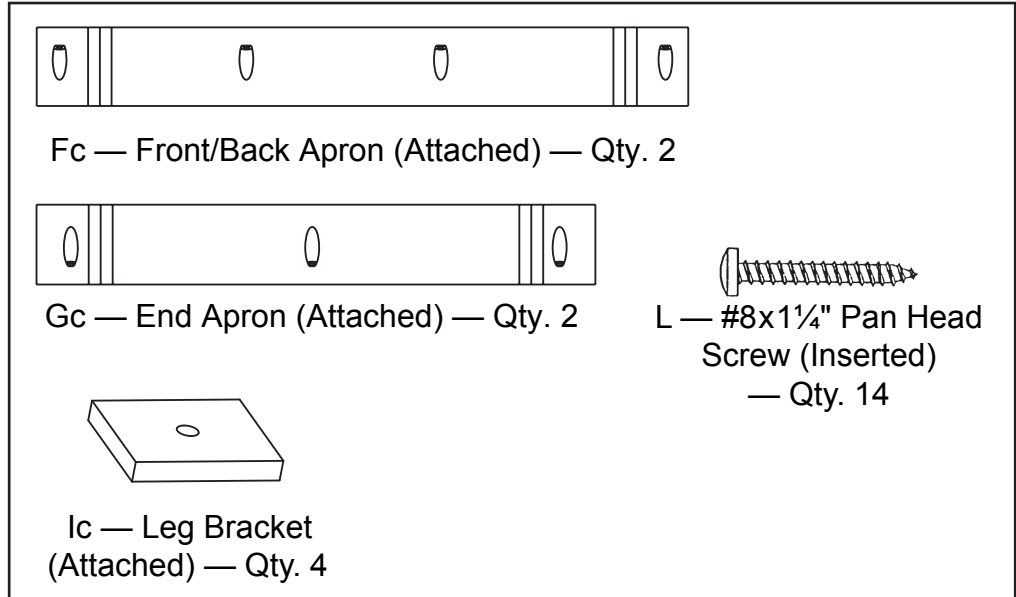
Rev. 03/09

118Wc Kitchen Island — Parts List

Please identify the parts and check that quantities received match those on this list.
If you need to replace a part, refer to the following letter and model name.



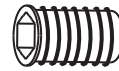
Ac — Top Assembly
— Qty. 1



Ba — Left Leg — Qty. 2



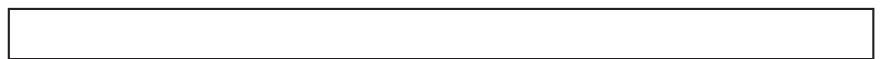
Ca — Right Leg — Qty. 2



B1 — Insert Nut (Inserted) — Qty. 4



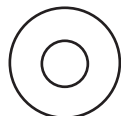
D — Side Stretcher — Qty. 2



E — Middle Support — Qty. 1



JJ — 3/8"x2½" Hex Bolt — Qty. 4



K — 5/16" Washer — Qty. 4



M — #10x1¾" Pan Head Screw — Qty. 4



O — Wooden Button — Qty. 4

118Wc Kitchen Island

ASSEMBLY INSTRUCTIONS

TOOLS REQUIRED: Phillips Head Screwdriver, Adjustable or 3/8" Wrench, Wood Glue

IMPORTANT NOTE:

We recommend finishing the unit before final assembly.

Before finishing, read enclosed finishing hints.

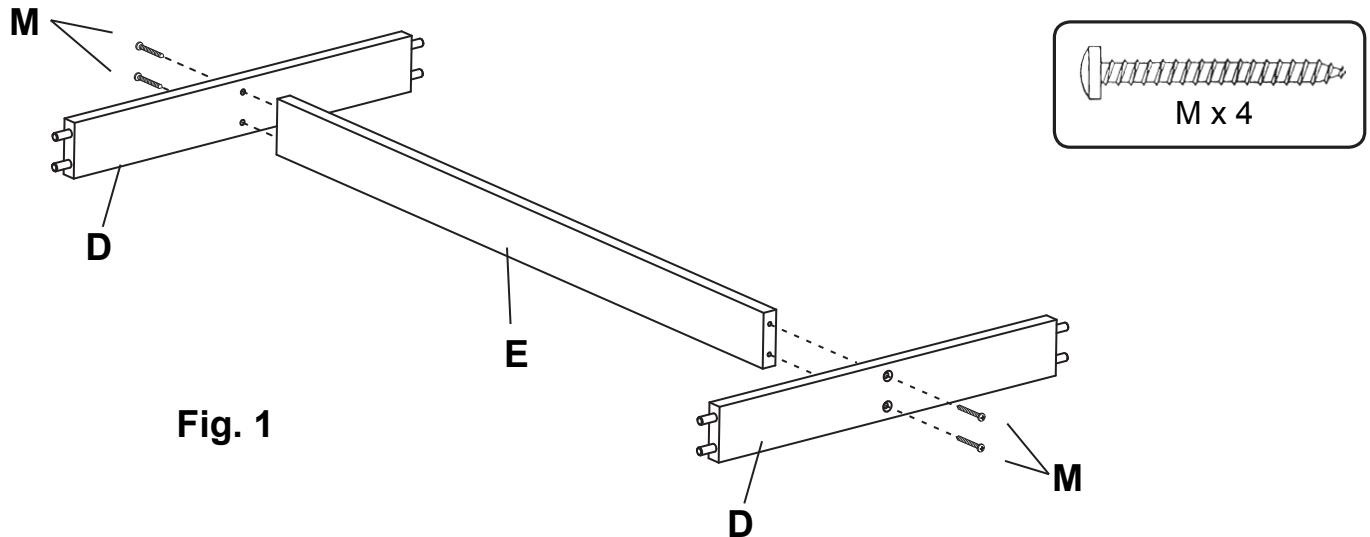


Fig. 1

1. Attach Side Stretchers (D) to Middle Support (E) using #10 x 1 $\frac{3}{4}$ " Pan Head Screws (M). Countersunk holes should face outward so the buttons can be inserted later. See Figure 1.

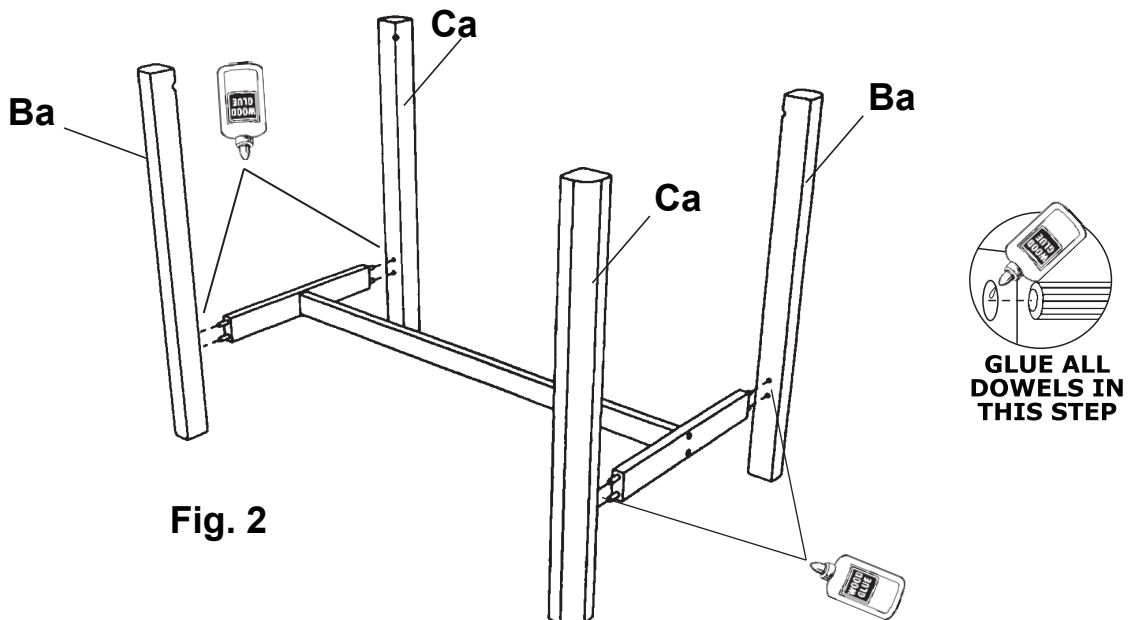


Fig. 2

READ ENCLOSED GLUING HINTS

2. Spread glue in the two lower holes of the Left and Right Legs (Ba & Ca). Attach legs to the Side Stretchers. See Figure 2.

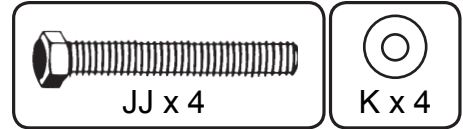


Fig. 3

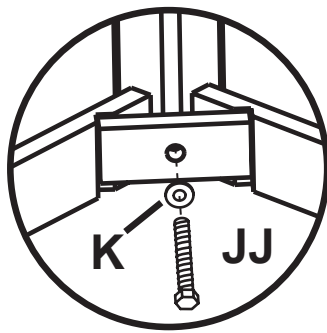
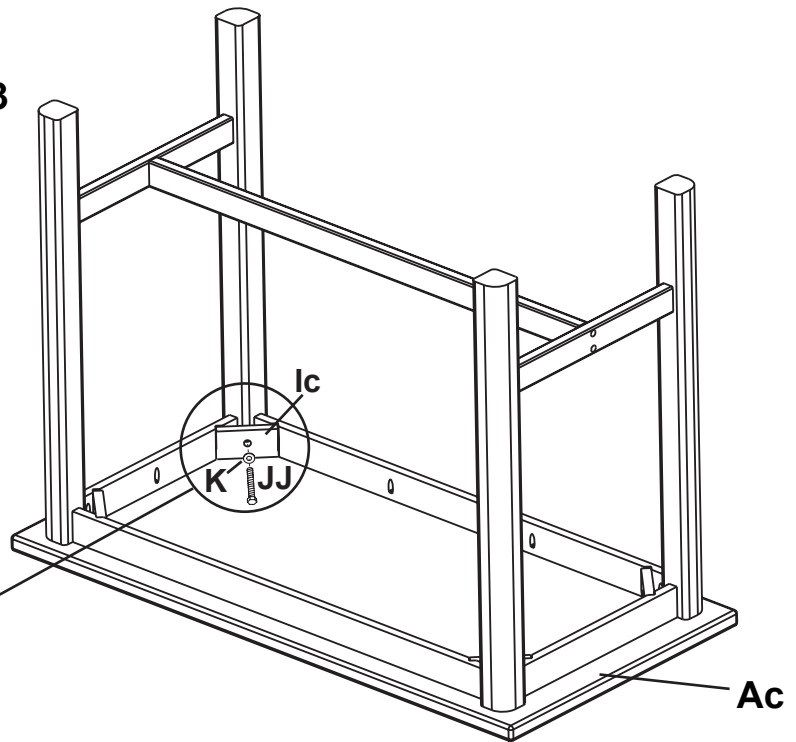


Fig. 3a

3. Lay Top Assembly (Ac) face down on a clean protected surface. Place leg assembly top down with each leg between the aprons so that the hole in the corner of the leg is facing the Leg Bracket (Ic). See Figure 3. Insert a 3/8" x 2 1/2" Hex Bolt (JJ) with a Washer (K) through the leg bracket into the Insert Nut in the leg and fasten securely. See Figure 3a.

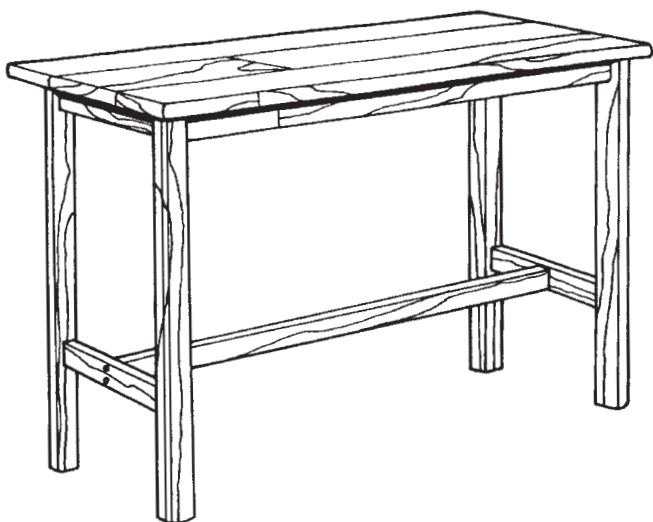
4. Spread glue in the two holes in each Side Stretcher (D) and tap the Wooden Buttons (O) firmly in place.

Modelo #

118Wc

Isla Central de Cocina

Instrucciones para Armar



¡Felicitaciones!

Este fino mueble será una bella adición para su hogar. Para obtener el mejor resultado, comience leyendo tanto las Instrucciones para Armar como las Sugerencias para el Acabado antes de comenzar su proyecto.

Sólo para uso doméstico.
NO se recomienda para uso comercial.



No se suba, no se siente ni se pare sobre este mueble.

ESTE DISEÑO ESTÁ SUJETO A CAMBIOS SIN PREVIO AVISO.



P.O. Box 2827
Eugene, OR 97402 USA



¡PRIMERO LLÁMENOS!

NO DEVUELVAN ESTE ARTÍCULO A LA TIENDA

Normas para obtener servicio: Reemplazaremos las piezas que tengan defectos, falten o se dañen durante el armado. Sírvase comunicarse con el departamento de servicio al cliente de Whittier Wood Products directamente (por teléfono, fax, correo o e-mail) para obtener piezas de repuesto.

Horas: Nuestro amable personal de servicio al cliente está disponible de lunes a viernes de 7:00 a.m. a 5:00 p.m. (Hora de la zona del pacífico de Estados Unidos). Puede dejar un mensaje las 24 horas del día, los 7 días de la semana.

Para hacer un pedido: Proporcione el número completo del modelo del mueble, la letra de la pieza, el código de producción, la cantidad que necesita, la razón del reemplazo, y su nombre completo, dirección y teléfono, para el caso de que necesitemos comunicarnos con usted.

Las piezas se envían desde nuestra planta en Eugene, Oregon, 1 ó 2 días hábiles después de recibir su solicitud. Por favor tenga en cuenta que la entrega tomará de 5 a 10 días hábiles.

800-653-3336

Fuera de los Estados Unidos o Canadá: 541-687-0213

Fax: 541-687-2060 • www.whittierwood.com

Correo: P.O. Box 2827 • Oregon 97402, U.S.A.

NOTAS IMPORTANTES:

- Lea por completo las Instrucciones y las Sugerencias para el Acabado antes de comenzar a armar el mueble.
- Si va a utilizar la parte superior de la mesa para preparar alimentos, ésta se debe acabar con una sustancia **no tóxica** tal como aceite mineral.
- Guarde los paneles: 1) en su caja, 2) en un sitio seco, 3) en un rango de temperaturas comprendido entre 40° y 90° (no en un piso de cemento frío que tal vez esté húmedo).
- Revise su mobiliario en forma periódica para detectar uniones despegadas, tornillos flojos o cualquier otro problema que pudiera afectar la estabilidad del mismo. Apriete los tornillos o repare las piezas según corresponda.

Código del producto:

VN

Rev. 03/09

118Wc Isla Central de Cocina

Lista de Piezas

Identifique las piezas y verifique que las cantidades recibidas coinciden con las de esta lista.
Si tiene que reemplazar una pieza, indique la letra y el nombre del modelo que vienen a continuación.

PARTE	DESCRIPCIÓN	CANTIDAD	PARTE	DESCRIPCIÓN	CANTIDAD
Ac	Tablero superior	1	Ba	Pata izquierdo	2
Fc	Faldón delantero/trasero (unido)	2	B1	Tuerca de inserción (unido)	4
Gc	Faldón lateral (unido)	2	Ca	Pata derecho	2
Ic	Sujeción de la pata (unido)	4	D	Soporte separador lateral	2
L	Tornillo de cabeza troncocónica #8 x 1¼" (introducido)	14	E	Soporte intermedio	1
			JJ	Perno hexagonal 3/8" x 2½"	4
			K	Arandela	4
			M	Tornillo de cabeza truncocónica #10 x 1¾"	4
			O	Botón de madera	4

INSTRUCCIONES PARA ARMAR

HERRAMIENTAS NECESARIAS: Destornillador Phillips, Llave Regulable, Cola para Madera

IMPORTANTE:

Recomendamos realizar el acabado de la unidad antes del ensamblaje final. Para ello, lea la página incluida, Sugerencias para el Acabado.

1. Atornille los Soportes Separadores Laterales (D) al Soporte Intermedio (E) utilizando tornillos de cabeza troncocónica #10 x 1¾" (M).
Los orificios avellandados deben mirar hacia fuera, para poder introducir los botones después. Vea Figura 1.

FIG. 4 — Glue All Dowels. = Encolar todos los taquetes

2. LEA LOS CONSEJOS ADJUNTOS PARA APLICAR COLA:

Aplique cola en los dos orificios interiores de las patas izquierda y derecha (Ba y Ca). Sujete las patas a los soportes separadores laterales. Vea la Figura 2.

3. Coloque el tablero superior (Ac) boca abajo sobre una superficie limpia y protegida. Coloque el conjunto de las patas boca abajo con cada pata entre los faldones, de modo que el orificio en la esquina de la pata mire hacia el refuerzo de las patas (Ic). Vea la Figura 3.
Introduzca el perno hexagonal de 3/8" x 2½" (JJ) con una Arandela (K) a través de la sujeción de la pata en la Tuerca y fíjela firmemente.
Vea la Figura 3a.

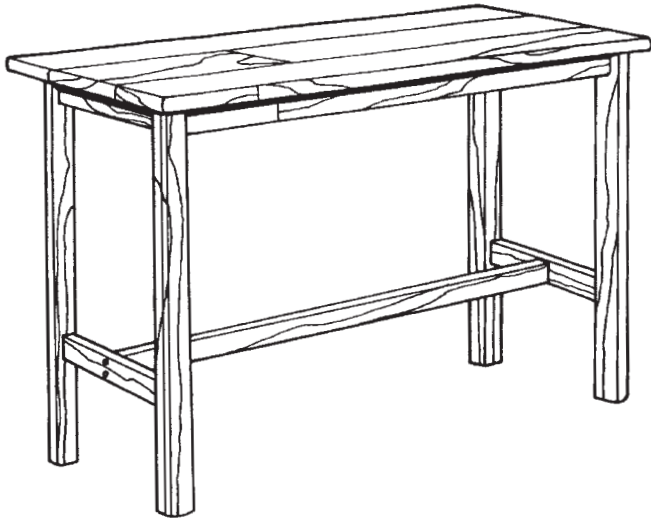
4. Aplique cola en los dos orificios de cada tirante lateral (D) y golpee los botones de madera (O) hasta que queden firmemente en su lugar.

No. de modèle

118Wc

Îlot de Cuisine

Instructions de Montage



Félicitations !

*Ce joli meuble s'intégrera agréablement à votre intérieur. Pour obtenir des résultats optimum, commencez par lire les Instructions de Montage et les Conseils de Finition **avant** de commencer votre projet.*

**Pour usage ménager normal seulement.
N'est pas recommandé pour usage commercial.**



Ne pas monter, s'asseoir ni se mettre debout sur cet article d'ameublement.

LE MODÈLE EST SUJET À CHANGEMENTS SANS PRÉAVIS.



P.O. Box 2827
Eugene, OR 97402 USA



APPELEZ-NOUS D'ABORD !

NE RETOURNEZ PAS CET ARTICLE AU MAGASIN

Politique de service : Nous remplacerons toutes les pièces défectueuses, manquantes ou endommagées pendant le montage. Veuillez contacter directement le service clientèle de Whittier Wood Products (par téléphone, fax, courrier ou e-mail) pour obtenir les pièces de remplacement.

Horaires : Le personnel accueillant de notre service clientèle est joignable du lundi au vendredi, de 7 h à 17 h (heure normale du Pacifique). Vous pouvez laisser un message 24 heures sur 24, 7 jours sur 7.

Pour placer vos commandes : Fournissez le numéro complet de modèle du meuble, la lettre de la pièce, le code de production, la quantité nécessaire, la raison du remplacement, ainsi que votre nom complet et votre adresse, avec un numéro de téléphone, au cas où nous aurions besoin de vous contacter.

Les pièces sont expédiées de notre usine située à Eugene, Oregon dans les 1 ou 2 jours ouvrables à compter de la réception de votre demande. La livraison prendra de 5 à 10 jours ouvrables.

800-653-3336

À l'extérieur des États-Unis ou du Canada : 541-687-0213

Fax : 541-687-2060 • www.whittierwood.com

Courrier : P.O. Box 2827 • Oregon 97402, U.S.A

REMARQUES IMPORTANTES :

- Lisez complètement les instructions et les Conseils de finition avant de commencer le montage.
- Si vous choisissez d'utiliser le dessus pour préparer des aliments, finissez-le avec une substance non toxique, comme une huile minérale.
- Conservez les panneaux : 1) dans leur boîte, 2) à un endroit sec, 3) à des températures variant entre 40° et 90°. (Non sur un sol en ciment froid, éventuellement humide.)
- Inspectez régulièrement votre meuble, pour voir si les pièces se décollent ou si les vis se desserrent ou si vous remarquez tout autre problème risquant d'affecter la stabilité du meuble. Resserrez ou réparez au besoin.

Code produit :

VN

Rév. 03/09

118Wc Îlot de Cuisine

Nomenclature des pièces

AVANT DE COMMENCER LE MONTAGE, assurez-vous que les quantités de pièces reçues correspondent à celles de la nomenclature des pièces figurant ci-dessous. Si vous devez remplacer une pièce, veuillez vous référer à la liste le nom et le numéro de la pièce.

PIÈCE	DESCRIPTION	QUANTITÉ	PIÈCE	DESCRIPTION	QUANTITÉ
Ac	Assemblage du dessus	1	Ba	Pied droit	2
Fc	Tablier avant/arriere (fixé)	2	B1	Écrou à insertion (insérée)	4
Gc	Tablier d'extrémité (fixé)	2	Ca	Pied gauche	2
Ic	Support de pied (fixé)	4	D	Traverse latérale	2
L	Vis à tête cylindrique bombée no. 8 x 1¼ po (insérée)	14	E	Support du milieu	1
			JJ	Boulon hexagonal 3/8 po x 2½ po	4
			K	Rondelle	4
			M	Vis à tête cylindrique bombée no. 8 x 1¼ po	4
			O	Bouton en bois	4

INSTRUCTIONS DE MONTAGE

OUTILS NÉCESSAIRES : Tournevis Cruciforme, Clé à Réglable, Colle à Bois

IMPORTANT :

Nous recommandons de finir le meuble avant de le monter définitivement. Avant de procéder à la finition, lisez la feuille ci-jointe, Conseils de finition.

1. Vissez les traverses latérales (D) sur le support du milieu (E) au moyen des vis à tête cylindrique bombée no. 10 x 1¾ po (M).
Les trous fraisés doivent être face à l'extérieur pour permettre d'insérer les boutons plus tard.
Voir la Figure 1.

FIG. 4 — Glue All Dowels. = Collez tous les chevilles

2. LISEZ LES CONSEILS DE COLLAGE CI-JOINTS:

Étalez la colle dans les deux trous inférieurs des Pieds Gauche et Droit (Ba et Ca). Fixez les pieds aux traverses latérales. Voir la Figure 2.

3. Posez l'assemblage du dessus (Ac) face sur le dessous sur une surface protégée et propre. Placez l'assemblage du pied à l'envers, chaque pied étant situé entre les ceintures, de manière à ce que le trou foré dans le coin du pied soit face au support de pied (Ic). Voir la Figure 3.
Insérer un boulon hexagonal 3/8 po x 2½ po (JJ) avec une Rondelle (K) à travers le support de pied dans l'Écrou Rapporté du pied et fixer solidement. Voir la Figure 3a.
4. Étalez la colle dans les deux trous ménagés dans chaque traverse latérale (D), puis tapez fermement sur les boutons en bois (O) pour les mettre en place.



Finishing Hints

Choosing the Finish:

1. Choose a finish that will meet your expectations for the product you are finishing. Are you matching existing furniture or do you want a “natural” finish? Is the piece to be functional, decorative or both? The answers to these questions may affect the type of finish you choose.
2. Use products of the same brand to ensure compatibility of products.
3. **ALWAYS** follow the stain manufacturer’s instructions. Alder is a porous wood and looks best when following the finishing instructions for softwoods.
4. We recommend using a wood conditioner under oil base stains.
5. Work in a well ventilated and well lit area.

Getting Started:

1. **Assembly Instructions may contain special finishing information for that item.** Read both the Assembly Instructions and these Finishing Hints completely before beginning.
2. Sand the entire piece, using #220 grit sandpaper. Sand with the grain of the wood on flat surfaces and opposite the grain on turnings. Some parts are plywood. Be careful not to sand through the veneer. End grain (table top ends, seat edges, grooves on turnings, etc.) accepts more stain. Extra sanding in these areas with a #320 grit sandpaper will reduce stain absorption, creating a more evenly stained piece.
3. When sanding is completed, wipe the surface of your furniture with a cloth or tack rag. Make sure the item is free of dust before proceeding.
4. For most products, we recommend preparing and staining the wood prior to assembly. Due to the assembly procedures for chairs, rockers and stools, we recommend assembling these items prior to finishing.
5. If you do choose to finish chairs, rockers or stools prior to assembly, it is **imperative** that you protect the ends of dowels and spindles, and the mortise holes where the wood is joined, from finishing products. Use masking tape around the ends, being careful to cover only the section that will be inserted (remove the tape after the finish has dried and before the furniture is assembled). Wood glue **will not bond** if finishing products are present. If you do get finishing product in these areas, it must be removed to ensure proper bonding.
6. If glue is used in assembly of your furniture, remove any excess glue spots or drips before finishing. Wood surfaces with glue **WILL NOT** accept stains, and will leave a light spot. To remove glue, wipe off as much as possible while wet, then lightly sand the surface until the remaining glue is removed.

Basic Equipment:

- Rubber gloves
- Rags
- Paper towels
- Q-tips
- Tack cloth
- Drop cloth
- Paint brushes (bristle and foam)
- #220 & #320 sandpaper
- Mineral spirits
- Masking Tape

Gluing Hints:

These are general hints. Refer to the instruction sheet for detailed information on gluing your specific product. Your unit may not need glue.

1. We **strongly** recommend that you first lay out all the parts and familiarize yourself with how they fit together before assembling with glue. Glue will set up quickly and can cause damage to the parts if you try to reposition any that have been assembled incorrectly.
2. Glue usually takes several hours to cure (or harden) but it will sometimes set up, or grab, in several seconds. Therefore, once you begin final assembly, be sure to proceed quickly and diligently.

Gluing Hints (cont.)

3. We recommend that you use a good wood glue, such as **Elmer's Wood Glue** or **White Glue, Tite-bond Wood Glue** or the equivalent; unless the instructions call for a special type such as a slow drying epoxy glue. Carefully read the glue manufacturer's label and follow all instructions.
4. Be sure the holes are clear of any dust so the glue will have a clean surface to adhere to. Blowing in the holes before gluing is recommended, **but be sure to protect your eyes.**
5. **Avoid getting glue on surfaces to be finished!** Most stains or finishes will not penetrate where glue has been spilled. Wet glue can be wiped off with a damp cloth. Follow with a light sanding of the area to ensure a proper finish.
6. **Do not over glue!** It is important to apply an even coat inside all holes and slots. Use a small dowel or pencil to spread glue evenly around the inside of the holes. Because of the fit of the spindles or dowels in the holes, the spindle or dowel pushes glue to the bottom of the hole. If too much glue is used, it will fill the hole and not allow the spindle or dowel to go all the way in.

Staining:

1. Read and follow label directions. Stir stain well before starting.
2. Test stain on an inconspicuous spot on your project, or use the sample chip if one is provided. The sample chip must be sanded in the same way as your furniture kit to ensure the piece will accept the stain similarly. Put at least one coat of your top coat over the stain sample, as it also affects the look of the stain. **Test every type of wood that is in your kit.** Some of our products include more than one type of wood, which may react differently to the stain color. Sample chips for the different woods may be included. It may be necessary to add a second coat of stain to lighter woods to match the darker woods in your kit.
3. Apply stain with a poly brush or lint-free cloth. Apply stain over a small area and wipe off excess. Working in small areas will make the color easier to control.
4. Q-tips are ideal for hard to reach areas.
5. Allow to dry thoroughly before proceeding.

Applying the Top Coat:

No top coat is required if using paint.

1. **Always read and follow all label directions.** Stir your finish coat gently, **do not shake.** It will create bubbles that are hard to remove.
2. **All surfaces** (including the underside of table tops and inside drawers) **must be sealed with at least one layer of a top coat.** This will help minimize wood swelling, shrinkage, warping and cupping due to changes in moisture content or temperature.
3. We recommend that you **apply a minimum of two coats when using polyurethane or varnish (especially on all table top and work surfaces).** Sand lightly between coats using a #320 grit sandpaper or 00 steel wool for the smoothest possible finish.
4. Some water-based finishes tend to raise the grain slightly. This can be easily controlled with this sanding step. However, do not use steel wool when using water-based finishes. Strands of steel fiber caught in the wood can cause rust spots when coated with any water-based product.

Painting:

1. For best results when painting, first coat the wood with a primer. An oil based primer would be best for a smooth finish. If you do not wish to use a solvent based primer, a water based primer would work almost as well.
2. Buy a quality brand paint. You may use a satin, semi-gloss, or gloss sheen. Apply a second coat for a smooth finish. Lightly sand between coats using a #320 grit sandpaper, so that the second coat will bond well. Repeat as desired.
3. Since there is such a variation between paint manufacturers, refer to your paint supplier for specific advice on using the paint that you purchase.



Sugerencias Para el Acabado

Selección del Acabado:

1. Elija un acabado que cumpla con las expectativas para el producto a ser acabado. ¿Debe hacer juego con otros muebles o se desea un acabado "natural"? ¿Ha de ser funcional, decorativo o ambas cosas? Las respuestas a estas preguntas pueden afectar el tipo de acabado que se seleccione.
2. Debe utilizar productos de la misma marca para asegurar la compatibilidad de los productos.
3. Obedezca **SIEMPRE** las indicaciones del fabricante de la tintura. El alder es una madera porosa y obtendrá su mejor apariencia si sigue las instrucciones de acabado para maderas suaves.
4. Recomendamos el uso de un acondicionador de madera debajo de las tinturas a base de aceite.
5. Trabaje en un lugar bien ventilado y con buena iluminación.

Para Comenzar:

1. **Las instrucciones para armar el mueble pueden contener información especial sobre el acabado para ese artículo.** Antes de comenzar lea tanto las Instrucciones de Montaje como estas Sugerencias para el Acabado.
2. Lije la pieza entera, usando papel de lija #220. Lije siguiendo la veta de la madera en las superficies planas, y en las curvas siguiendo el sentido contrario de la veta de la madera. Algunas piezas son de madera contrachapada. Tenga cuidado de no lijar a través del acabado enchapado. La veta de los extremos (bordes de mesas y asientos, ranuras de curvas, etc.) aceptan más tintura. Lijar estas áreas adicionalmente con papel de lija #320 reducirá la absorción de la tintura, resultando en una pieza con un tinte más uniforme.
3. Una vez acabada la lijada, limpie la superficie del mueble con un paño o un trapo de trama abierta. Asegúrese de que el artículo esté libre de polvo antes de continuar.
4. Para la mayoría de los productos recomendamos preparar y teñir la madera antes de proceder a armarlas. Debido a los procedimientos para armar las sillas, mecedoras y taburetes, recomendamos armar estos artículos antes de darles el acabado.

5. Si va a acabar sillas, mecedoras y taburetes antes de armar, es **importantísimo** proteger los extremos de tarugos y espigas y las muescas donde se une la madera, contra los productos de acabado. Utilice cinta adhesiva masking alrededor de los extremos, asegurándose de cubrir sólo la sección a introducirse (quitar la cinta después de que se seque el acabado y antes de armar el mueble). El pegamento de carpintero **no se adherirá** si la superficie tiene productos de acabado. Si un producto de acabado entra en estas áreas, hay que quitarlo para asegurar la adhesión correcta.
6. Si se utiliza pegamento en el montaje del mueble, quite toda mancha o gota de pegamento excedente antes de realizar el acabado. Las superficies de madera con pegamento **NO ACEPTARÁN** la tintura y dejarán manchas claras. Para remover el pegamento, limpie el área lo más posible y luego lije la superficie suavemente hasta que salga el pegamento restante.

Sugerencias Para el Pegamento:

Estas son sugerencias generales. Consulte la hoja de instrucciones para obtener información detallada sobre cómo pegar las piezas de su mueble específico. Es posible que su mueble no requiera pegamento.

1. Recomendamos **con énfasis** que se dispongan todas las partes primero para familiarizarse con el lugar que les corresponde antes de armarlas con el pegamento. El pegamento se fijará rápidamente y puede dañar las partes si se intenta cambiar la posición de aquellas que hayan sido armadas incorrectamente.
2. El pegamento generalmente tarda varias horas en curarse (o endurecerse) pero a veces se fija en varios segundos. Por lo tanto, una vez comenzado el montaje final, debe asegurarse de proceder rápida y diligentemente.

Ayudas Para el Pegamento: (cont.)

3. Recomendamos que utilice una buen pegamento de carpintero, como **Elmer's Wood Glue o White Glue, Titebond Wood Glue** o su equivalente. Lea el rótulo del fabricante cuidadosamente y siga todas las instrucciones.
 4. Asegúrese de que los agujeros estén libres de polvo para que el pegamento tenga una superficie limpia a la cual adherirse. Se recomienda soplar los agujeros antes de ponerles el pegamento, **asegurándose de proteger los ojos.**
 5. **¡Evite que las superficies sujetas al tratamiento de acabado se manchen con el pegamento!** La mayoría de las tinturas o acabados no penetran donde se haya volcado pegamento o donde se haya mojado la madera. Se puede limpiar el pegamento mojado con un paño húmedo. Siga con una lijada suave del área para asegurar un acabado correcto.
 6. **¡No aplique demasiado pegamento!** Es importante aplicar una capa uniforme dentro de todos los orificios y ranuras. Utilice una espiga o lápiz para untar el pegamento uniformemente alrededor del interior de los orificios. Debido al ajuste de los tarugos y espigas en los orificios, el tarugo o la espiga empuja el pegamento al fondo del orificio. Si utiliza demasiado pegamento, llenará el orificio y no permitirá que el tarugo o la espiga entre hasta el fondo.
-
- ## La Tintura:
1. Lea y siga las indicaciones del rótulo. Mezcle la tintura bien antes de comenzar.
 2. Pruebe la tintura en un punto discreto del proyecte o utilice la muestra provista, si se incluye. La muestra deberá estar lijada del mismo modo que el mueble para asegurar que la pieza acepte la tintura del mismo modo. Aplique por lo menos una capa de la capa superior encima de la muestra de tintura, ya que también afecta el aspecto de la tintura. **Pruebe cada tipo de madera del conjunto.** Algunos de nuestros productos incluyen más de un tipo de madera y cada uno puede reaccionar en forma distinta al color de la tintura. Tal vez se incluyan muestras de los diferentes tipos de maderas. Tal vez sea necesario agregar una segunda capa de tintura a las maderas más claras para que el color coincida con el de las maderas más oscuras del conjunto.
 3. Aplique la tintura con un pincel sintético o un paño libre de pelusas. Aplique la tintura sobre un área pequeña y limpie el excedente. Es más fácil controlar el color al trabajar en áreas pequeñas.
 4. Los hisopos con punta de algodón (Q-tips) son ideales para las áreas difíciles de alcanzar.
 5. Permita que se seque a fondo antes de continuar.
-
- ## La Aplicación de la Capa Superior:
- La pintura no requiere capa superior.**
- Mezcle la capa final suavemente; **no la debe agitar.** Ocasionalmente burbujas difíciles de eliminar.
1. **Lea y obedezca siempre todas las indicaciones del rótulo.** Mezcle la capa final suavemente; **no la debe agitar.** Ocasionalmente burbujas difíciles de eliminar.
 2. **Todas las superficies** (inclusive el lado inferior del panel superior de las mesas y el interior de los cajones) **deben sellarse con por lo menos una capa de revestimiento.** Esto ayudará a reducir al mínimo que la madera se hinche, encoja, pandee o abocine debido a cambios de humedad o temperatura.
 3. Recomendamos que se **aplique un mínimo de dos capas al usar poliuretano o barniz (especialmente en todas las superficies superiores de mesas y superficies de trabajo).** Lije suavemente entre capa y la otra usando papel de lija #320 o lana de acero 00 para el acabado más liso posible.
 4. Algunos acabados con base de agua tienden a levantar la veta levemente. Esto se puede controlar fácilmente con este paso de lijada. Sin embargo, no se debe utilizar lana de acero con acabados a base de agua. Las hebras de lana de acero atrapadas en la madera pueden ocasionar manchas de óxido al ser cubiertas por cualquier producto a base de agua.
-
- ## Aplicación de Pintura:
1. Para obtener el mejor resultado al pintar, primero aplique una capa de imprimación base a la madera. Un imprimador a base de aceite sería el mejor para un acabado parejo. Si no desea usar un imprimador a base de solvente, un imprimador a base de agua funcionaría igualmente bien.
 2. Compre una pintura de marca de buena calidad. Puede utilizar pintura satinada, semi-brillante o brillante. Aplique una segunda capa para un acabado parejo. Lije levemente entre capas con papel lija #320, para que la segunda capa se adhiera bien. Repita según desee.
 3. Puesto que existe una gran variedad entre fabricantes de pinturas, consulte con su proveedor de pinturas para obtener las recomendaciones específicas del uso de la pintura que usted compre.



Conseils de Finition

Choix de l'enduit de finition :

1. Choisissez un enduit de finition qui réponde à ce que vous attendez du meuble. Souhaitez-vous l'harmoniser à votre mobilier actuel ou voulez-vous un aspect naturel? Le meuble est-il destiné à être fonctionnel, décoratif ou les deux? Le type d'enduit de finition que vous choisissez dépend des réponses à ces questions.
2. Utilisez des produits de la même marque pour assurer leur compatibilité.
3. Suivez **TOUJOURS** les instructions du fabricant de teinte. Le alder est un bois poreux et son aspect sera optimum si vous suivez les instructions de finition pour les bois tendres.
4. Nous vous recommandons d'utiliser un produit de conditionnement du bois sous les teintures à base d'huile.
5. Travaillez dans un lieu bien ventilé et bien éclairé.

Avant de Commencer

1. **Les instructions d'assemblage peuvent contenir des informations de finitions** spéciales pour cet article. Avant de commencer, lisez entièrement les instructions d'assemblage et ces conseils de finition.

2. Poncez toute la pièce à l'aide de papier de verre à grain n° 220. Poncez dans le sens du grain du bois sur les surfaces plates et dans le sens contraire sur les surfaces courbes. Certaines pièces sont en contreplaqué. Veillez à ne pas poncer le placage. Le grain des extrémités (extrémités des dessus de tables, bords des sièges, rainures des courbes, etc.) accepte davantage de teinture. En ponçant davantage ces surfaces à l'aide de papier de verre à grain n° 320, vous réduirez l'absorption de teinture et créerez un article de teinte plus uniforme.

3. Une fois que vous avez fini de poncer, essuyez la surface de votre meuble avec un chiffon ou un torchon à poussière. Avant de poursuivre, assurez-vous que le meuble est exempt de poussière.

4. Pour la plupart des produits, nous recommandons de préparer et de teindre le bois avant l'assemblage. En raison des procédures d'assemblage des chaises, fauteuils à bascule et tabourets, nous recommandons d'assembler ces meubles avant de les finir.

5. Si vous choisissez de finir les chaises, fauteuils à bascule et tabourets avant de les assembler, vous devez **impérativement** protéger les extrémités des goujons et des barreaux, ainsi que les mortaises de raccord du bois, contre les produits de finition. Utilisez du papier cache masque autour des extrémités en veillant à ne couvrir que la section à insérer (enlevez-le lorsque la couche de finition est sèche et avant d'assembler le meuble). La colle à bois **ne tiendra pas** en présence de produits de finition. Si du produit de finition s'est étalé sur ces surfaces, enlevez-le pour assurer que la colle tiendra.

6. Si vous utilisez de la colle pour assembler votre meuble, enlevez toutes les taches ou coulées de colle avant de procéder à la finition. Les surfaces en bois n'accepteront **PAS** la teinture et présenteront des taches claires. Pour enlever la colle, essuyez-en autant que possible quand elle est liquide, puis poncez légèrement la surface jusqu'à ce que la colle restante ait disparu.

Conseils de Collage :

Ces conseils sont d'ordre général. Consultez la feuille d'instructions pour obtenir des informations détaillées sur la manière de coller votre produit spécifique. Votre meuble n'a pas nécessairement besoin d'être collé.

1. Avant de procéder au collage, nous vous recommandons **vivement** d'étaler toutes les pièces à plat afin de savoir comment elles s'intègrent les unes aux autres. La colle durcit rapidement et peut endommager les pièces mal assemblées que vous essayez de remettre incorrectement.
2. La colle durcit généralement en plusieurs heures, mais elle prend parfois en plusieurs secondes. Donc, une fois que vous passez à l'assemblage définitif, veillez à procéder rapidement et diligemment.

Conseils de Finition (suite)

3. Nous vous recommandons d'utiliser une bonne colle à bois, par exemple **Elmer's Wood Glue** ou **White Glue**, **Titebond Wood Glue** ou équivalent, sauf si les instructions préconisent un type spécial de colle, par exemple une colle époxyde à durcissement lent. Lisez attentivement l'étiquette du fabricant et suivez toutes les instructions.

4. Assurez-vous que les trous sont exempts de poussière, afin que la colle puisse adhérer à une surface propre. Il est recommandé de souffler dans les trous avant d'y verser la colle, **mais veillez à protéger vos yeux**.

5. **Évitez de verser de la colle sur les surfaces à finir !** La plupart des teintures ou des enduits de finition ne pénétreront pas les endroits où de la colle a été versée. Essayez la colle liquide avec un chiffon humide, puis poncez légèrement la surface pour obtenir une finition uniforme.

6. **Ne mettez pas trop de colle !** Il est important d'appliquer une couche uniforme à l'intérieur de tous les trous et de toutes les fentes. Utilisez un petit goujon ou un crayon pour étaler uniformément la colle à l'intérieur des trous. En raison de l'adaptation des goujons ou barreaux dans les trous, le goujon ou barreau pousse la colle au fond du trou. Si vous utilisez trop de colle, elle remplira le trou et le goujon ou le barreau ne s'y enfoncera pas complètement.

Teinture :

1. Lisez et suivez les instructions figurant sur l'étiquette. Mélangez bien la teinture avant de commencer.
2. Testez la teinture sur une surface non visible de votre projet, ou utilisez le copeau échantillon, s'il a été fourni. Vous devez le poncer de la même façon que votre meuble en kit pour assurer que ce dernier acceptera la teinture de la même manière. Appliquez au moins une couche de peinture de surface sur l'échantillon de teinture, car elle affecte également l'aspect de la teinture. **Testez chaque type de bois contenu dans votre kit.** Certains de nos produits sont composés de plusieurs types de bois, et ceux-ci peuvent réagir différemment au coloris de la teinture. Des copeaux échantillons des différents bois peuvent être inclus. Il peut être nécessaire d'appliquer une seconde couche de teinture sur les bois clairs afin de les harmoniser aux bois plus sombres de votre kit.
3. Appliquez la teinture à l'aide d'un pinceau ou d'un tissu non pelucheux. Appliquez-la sur une petite surface, puis essayez l'excès. En travaillant sur de petites surfaces, vous maîtriserez mieux la couleur.
4. Les cotons-tiges sont idéaux pour les zones difficiles à atteindre.
5. Laissez sécher **complètement** avant de continuer.

Application de la Couche de Finition :

Aucune couche de finition n'est nécessaire si vous utilisez de la peinture.

1. **Lisez et suivez toujours toutes les instructions figurant sur l'étiquette.** Mélangez doucement l'enduit de finition **sans le secouer.** Des bulles se formeraient, qui seraient difficiles à éliminer.

2. **Toutes les surfaces** (y compris les parties inférieures des dessus de tables et l'intérieur des tiroirs) **doivent être rendues éanches avec au moins une application de couche de finition.** Ceci contribuera à minimiser le gonflement, le retrait, le voilement et le renflement du bois dus aux modifications de la teneur d'humidité ou de la température.

3. Nous vous recommandons **d'appliquer un minimum de deux couches quand vous utilisez du polyuréthane ou du vernis (en particulier sur tous les dessus de table et les surfaces de travail).** Poncez légèrement entre deux couches, à l'aide de papier de verre à grain n° 320 ou de laine d'acier 00, pour obtenir la finition la plus uniforme possible.

4. Certains enduits de finition à base d'eau tendent à élever légèrement le grain. Vous pouvez facilement remédier à cela en ponçant. N'utilisez toutefois pas de laine d'acier avec des enduits de finition à base d'eau. Des fibres d'acier prises dans le bois peuvent provoquer des taches de rouille lorsqu'elles sont recouvertes d'un produit à base d'eau.

Peinture :

1. Pour obtenir des résultats optimum quand vous peignez, étalez d'abord un enduit d'apprêt sur le bois. Un enduit d'apprêt à base d'huile est idéal pour obtenir une finition lisse. Si vous ne voulez pas utiliser un enduit d'apprêt à base de solvant, un enduit d'apprêt à base d'eau produira des résultats presque aussi satisfaisants.

2. Achetez une peinture de marque de qualité. Vous pouvez utiliser une peinture à brillant satiné, demi-mat ou lustré. Appliquez une seconde couche pour obtenir une finition lisse. Poncez légèrement entre les applications au moyen de papier de verre n° 320, de manière à ce que la seconde couche adhère bien. Répétez selon les besoins.

3. Étant donné qu'il existe des variations entre les différents fabricants de peinture, demandez à votre fournisseur de peinture des conseils spécifiques sur l'utilisation de la peinture que vous achetez.