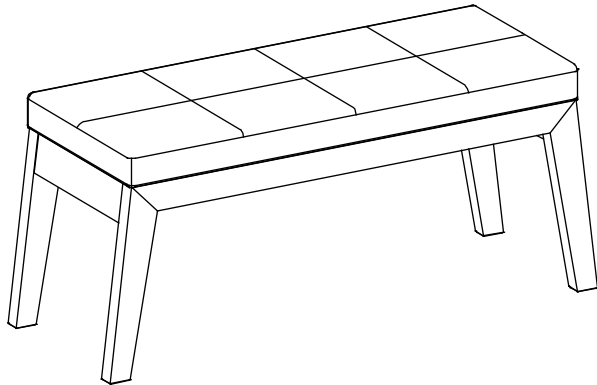


Model #

1242DUET

Addison Upholstered Bench

Duet = Natural finish
Assembly Instructions



Thank you for allowing us to help you furnish your home. We are certain you will be delighted with your new furniture for many years to come.

IMPORTANT NOTES:

- For normal household use only. *Not* recommended for commercial use.
- Do not climb or stand on or in this piece of furniture.
- This assembly requires two people.

WARNING

Drilling, sawing, sanding or machining wood products can expose you to wood dust, a substance known to the state of California to cause cancer. Avoid inhaling wood dust or use a dust mask or other safeguards for personal protection.

For more information go to: www.p65warnings.ca.gov/wood

This product can expose you to chemicals, including formaldehyde, which are known to the State of California to cause cancer. For more information go to: www.p65warnings.ca.gov/furniture

DESIGN SUBJECT TO CHANGE WITHOUT NOTICE.

CUSTOMER SERVICE

If you ever have questions about your furniture, please do not hesitate to contact us. In the unlikely event you need a replacement part; we can make those parts available through an authorized Whittier Wood Furniture dealer. If you cannot order replacement parts through your dealer, please contact our customer service department.

Hours: Our friendly customer service staff can be reached:

Monday-Friday 8:00 a.m. to 5:00 p.m. (Pacific Time).

You may leave a message 24 hours a day, seven days a week.

Customer Service: 800-653-3336 • **Outside the U.S.:** 541-687-0213

Fax: 541-687-2060 • **Email:** info@whittierwood.com

**Whittier
Wood**
FURNITURE

P.O. Box 2827
Eugene, OR 97402 USA

Production Code:

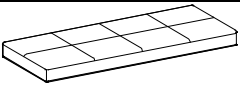
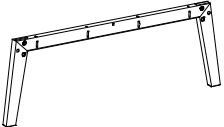
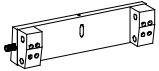

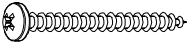







VN

02/18

1242DUET Addison Upholstered Bench

Parts List

Please identify the parts and check that quantities received match those on this list.
If you need to replace a part, refer to the following letter(s) and part name.

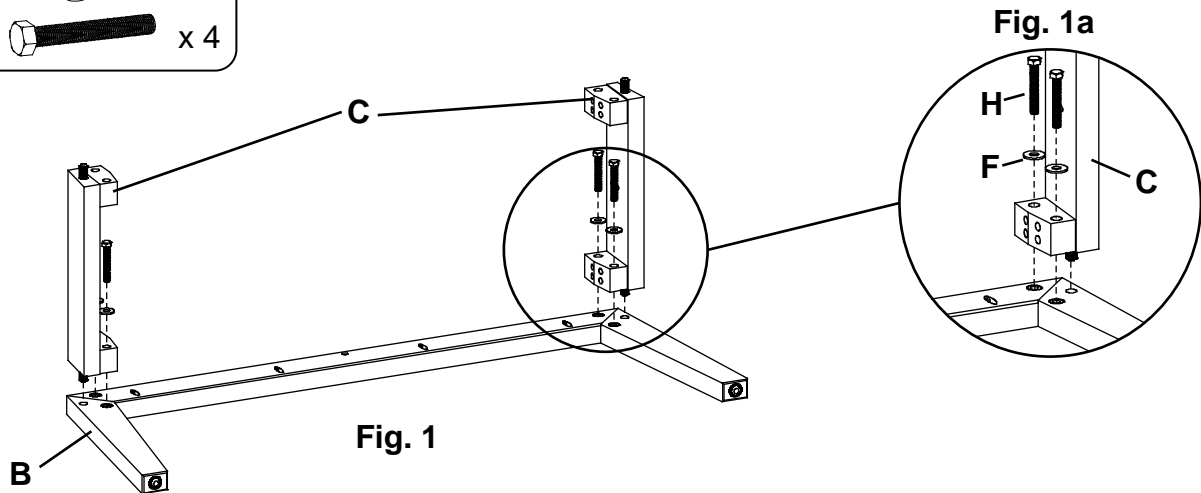
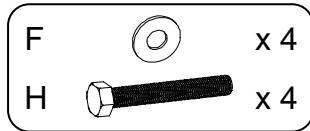
Part	Description		Quantity
A	Upholstered Seat		1
B	Leg Frame Assembly		2
C	Side Apron Assembly		2
D	Center Seat Support		1
E	#8 x 1-3/4" Pan Head Screw		29 (16 inserted)
F	5/16" Flat Washer		8
G	3/8" x 1" Insert Nut (inserted)		8
H	3/8" x 2-1/2" Hex Bolt		8
I	1/4" x 20mm Insert Nut (inserted)		4
J	1/2" x 2-1/4" Wood Dowel (inserted)		4
K	3/8" x 1-1/2" Wood Dowel (inserted)		2
L	Adjustable Glide (installed in Legs)		4

1242DUET Addison Upholstered Bench

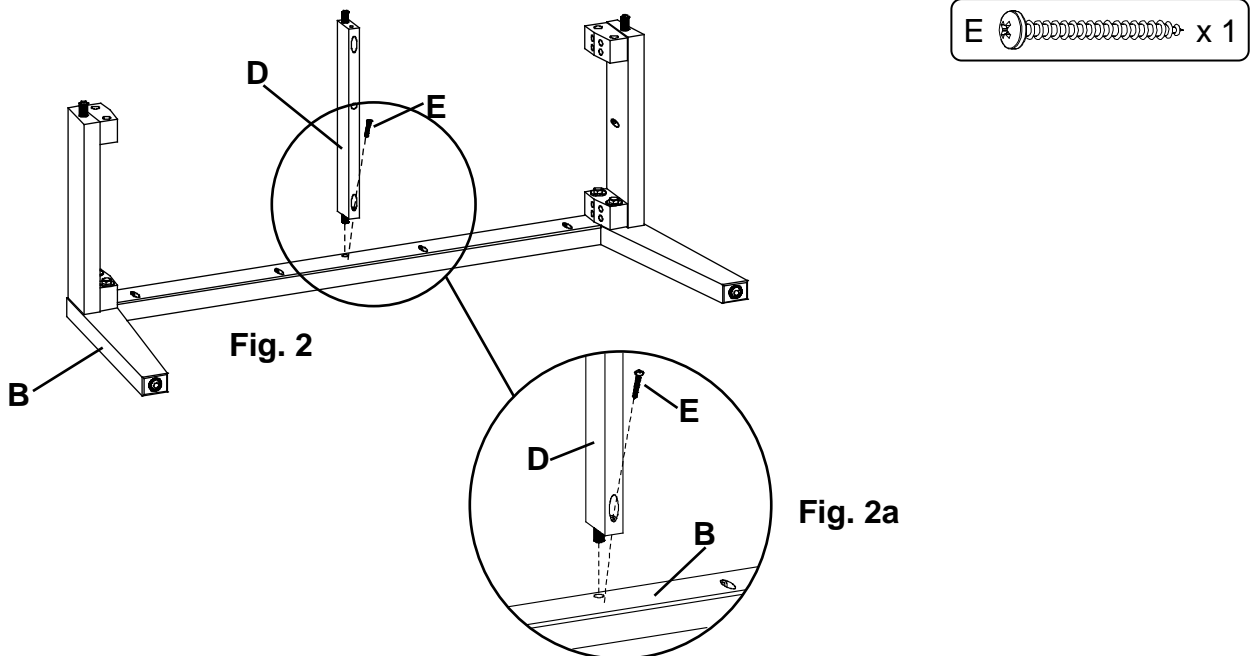
Assembly Instructions

Tools Required: Phillips Screwdriver, 9/16" or Adjustable Wrench, Mallet or Padded Hammer.

1. Lay one Leg Frame Assembly (B) face down on a clean, protected surface. Insert the Apron Assemblies (C) using the dowel and dowel hole in the Frame Assembly for alignment. Secure with 3/8" X 2-1/2" Hex Bolts (H) and 5/16" Washers (F). See Figures 1 and 1a.



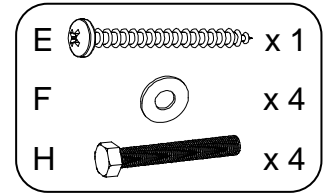
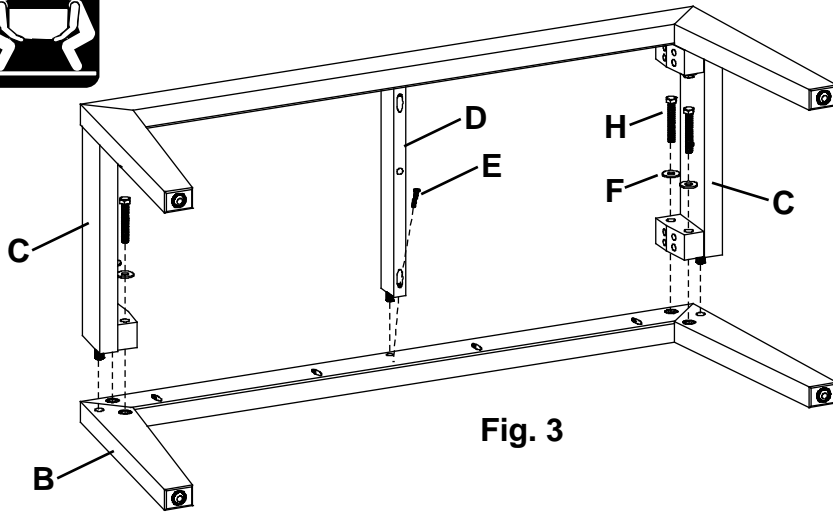
2. Insert the Center Seat Support (D) using the dowel and the dowel hole at the center of the Side Frame Assembly (B) as shown in Figure 2a. Secure with a #8 X 1-3/4" Pan Head Screw (E). See Figures 2 and 2a.



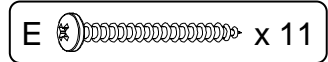
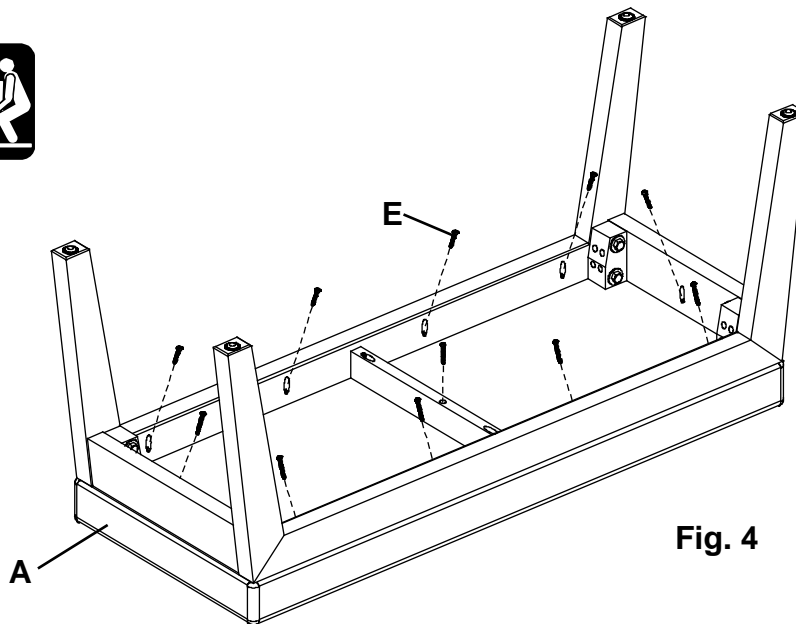
1242DUET Addison Upholstered Bench

Assembly Instructions

3. Lay the remaining Leg Frame Assembly (B) face down on a clean, protected surface. Flip the assembled pieces from step 2 over and align the dowels in that assembly to the dowel holes in the Leg Frame Assembly as shown in Figure 3. Insert the dowels into the holes and secure using 3/8" X 2-1/2" Hex Bolts (H) with 5/16" Washers (F) and #8 X 1-3/4" Pan Head Screw (E). See Figure 3.



4. Using the pocket holes as guides, secure the Leg Frame Assembly to the Upholstered Seat (A) with eleven #8 x 1-3/4" Pan Head Screws (E). See Figure 4.



1242DUET Addison Upholstered Bench

Assembly Instructions

5. Turn the bench upright.
Place the bench at its final destination. Rotate the Adjustable Glides (L) on the bottoms of the legs until the unit is level. See Figure 5.

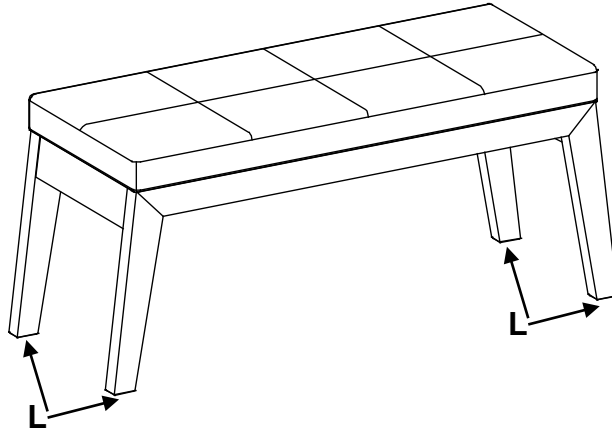


Fig. 5