

McKenzie Bed Collection

GAC = Glazed Antique Cherry finish

CAF = Caffè finish

Assembly Instructions

Model #

1346GACe

1346CAFe

McKenzie Queen Bed



Model #

1349GACe

1349CAFe

McKenzie King Bed

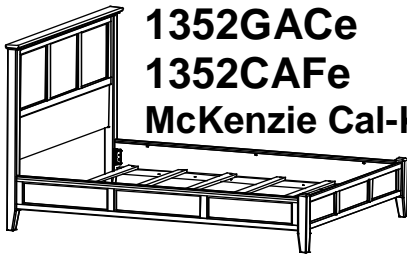


Model #

1352GACe

1352CAFe

McKenzie Cal-King Bed



Thank you for allowing us to help you furnish your home. We are certain you will be delighted with your new furniture for many years to come.

IMPORTANT NOTES:

- For normal household use only. *Not* recommended for commercial use.
- Unload items before you move this unit.
- This assembly requires two people.

WARNING

Drilling, sawing, sanding or machining wood products can expose you to wood dust, a substance known to the state of California to cause cancer. Avoid inhaling wood dust or use a dust mask or other safeguards for personal protection.

For more information go to: www.p65warnings.ca.gov/wood

This product can expose you to chemicals, including formaldehyde, which are known to the State of California to cause cancer.

For more information go to: www.p65warnings.ca.gov/furniture

DESIGN SUBJECT TO CHANGE WITHOUT NOTICE.

CUSTOMER SERVICE

If you ever have questions about your furniture, please do not hesitate to contact us. In the unlikely event you need a replacement part; we can make those parts available through an authorized Whittier Wood Furniture dealer. If you cannot order replacement parts through your dealer, please contact our customer service department.

Hours: Our friendly customer service staff can be reached:

Monday-Friday 8:00 a.m. to 5:00 p.m. (Pacific Time).

You may leave a message 24 hours a day, seven days a week.

Customer Service: 800-653-3336 • Outside the U.S.: 541-687-0213

Fax: 541-687-2060 • Email: info@whittierwood.com



P.O. Box 2827
Eugene, OR 97402 USA

Production Code:

VN

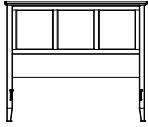

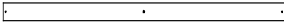







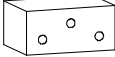
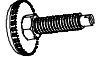


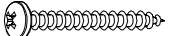
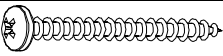
04/18

**1346GACe 1346CAFe McKenzie Queen Bed
1349GACe 1349CAFe McKenzie King Bed
1352GACe 1352CAFe McKenzie Cal-King Bed**

Parts List

Please identify the parts and check that quantities received match those on this list.
If you need to replace a part, refer to the following letter and part name.

**1347GACe 1347CAFe Queen Bed (Headboard/Footboard Kit)
1350GACe 1350CAFe King Bed (Headboard/Footboard Kit)
1353GACe 1353CAFe Cal-King Bed (Headboard/Footboard Kit)**



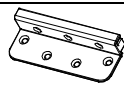
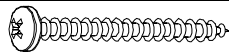
Part	Description		Quantity
A	Headboard		1
Be	Footboard		1
C (1353) Cb (1347 & 1350)	Slat		5
E	#8 x 1-1/4" Black Screw		26 (16 inserted)
H	1/4" x 1/2" Hex Bolt		8
I	Male Bracket (attached)		4
J	1/4" Lock Washer		8
M	T-Nut (inserted)		5
N	5mm Hex Wrench		1
Q	Hanger Bolt (inserted)		4
Ue	Slat Support (attached)		1
ZA	Adjustable Glide with Hex Nut (installed)		4
ZB	Assembled Foot		4
ZC	5/16" x 3/4" Insert Nut (inserted)		4
ZD	#8 x 1-1/4" Pan Head Screw (inserted)		4
ZE	#10 x 2" Pan Head Screw (inserted)		3

1347 shown in illustrations.

**1346GACe 1346CAFe McKenzie Queen Bed
 1349GACe 1349CAFe McKenzie King Bed
 1352GACe 1352CAFe McKenzie Cal-King Bed**

Parts List

**1348GACe 1348CAFe Queen/King Bed Rail Kit
 1354GACe 1354CAFe Cal-King Bed Rail Kit**

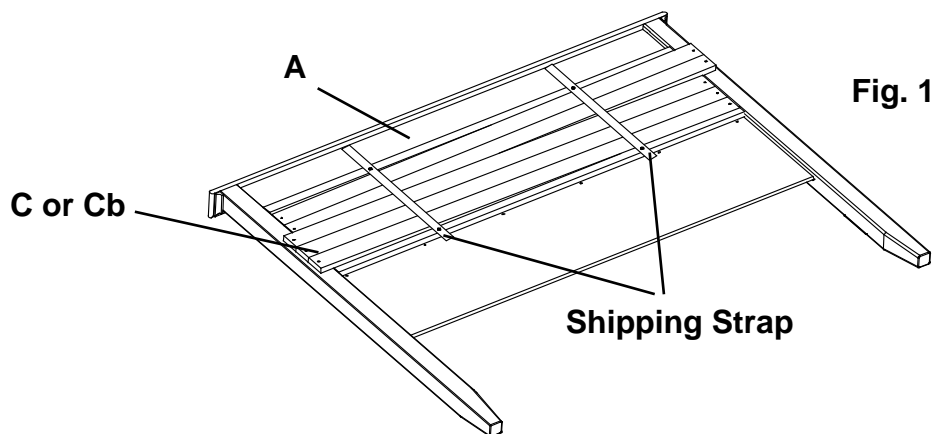
Part	Description	Quantity
Ge (1354) Ge (1348)	Side Rail 	2
K	#8 x 1" Black Screw (inserted) 	16
O	Female Bracket (attached) 	4
ZE	#10 x 2" Pan Head Screw (inserted) 	22

1348 shown in illustrations.

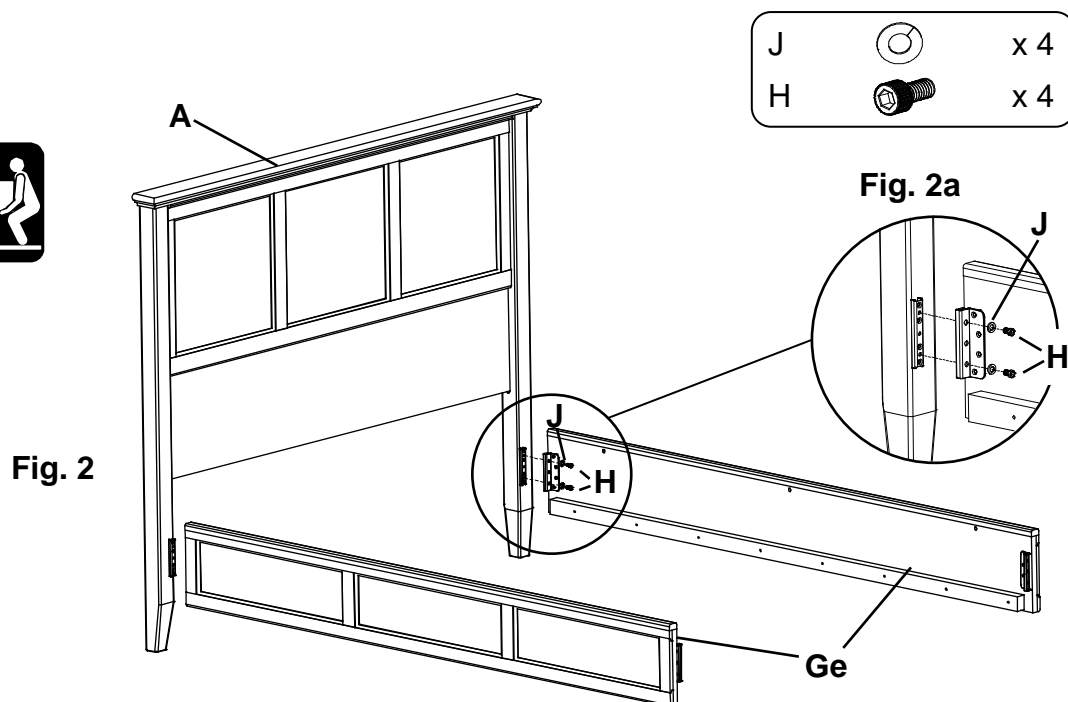
1346GACe 1346CAFe McKenzie Queen Bed
1349GACe 1349CAFe McKenzie King Bed
1352GACe 1352CAFe McKenzie Cal-King Bed
Assembly Instructions

Tools Required: 5mm Hex Wrench (provided) and Phillips Screwdriver

1. Remove the Slats (C or Cb) from the back of the Headboard (A) as seen in Figure 1 and place them off to the side.





2. Using the Hex Wrench (N) provided, attach the Side Rails (Ge) to the Headboard (A) with four 1/4" x 1/2" Hex Bolts (H) and 1/4" Lock Washers (J) as shown in Figures 2 and 2a.

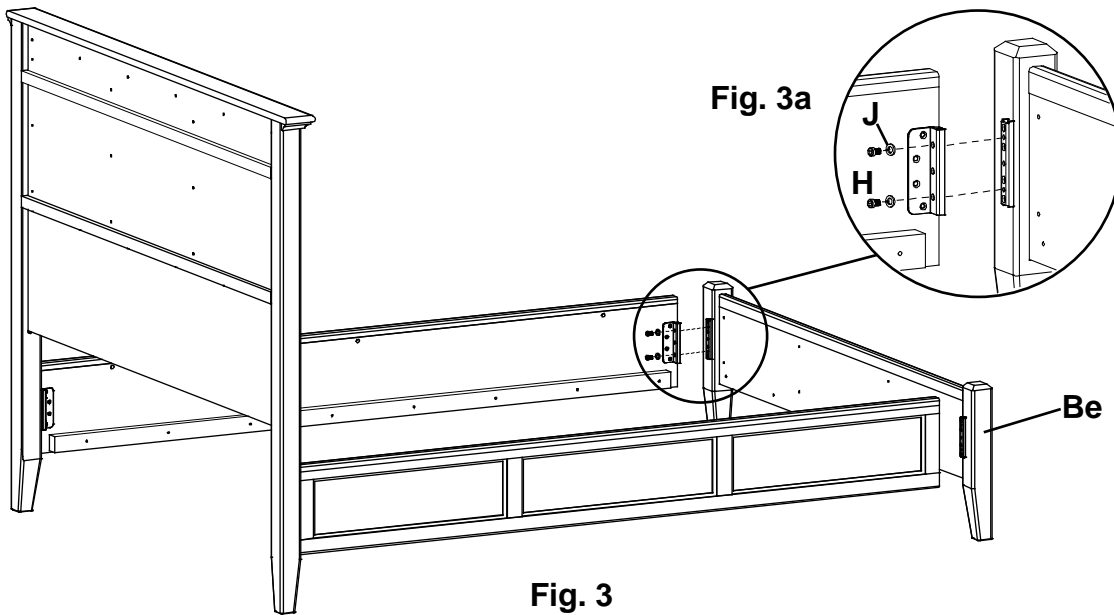


**1346GACe 1346CAFe McKenzie Queen Bed
 1349GACe 1349CAFe McKenzie King Bed
 1352GACe 1352CAFe McKenzie Cal-King Bed**
Assembly Instructions

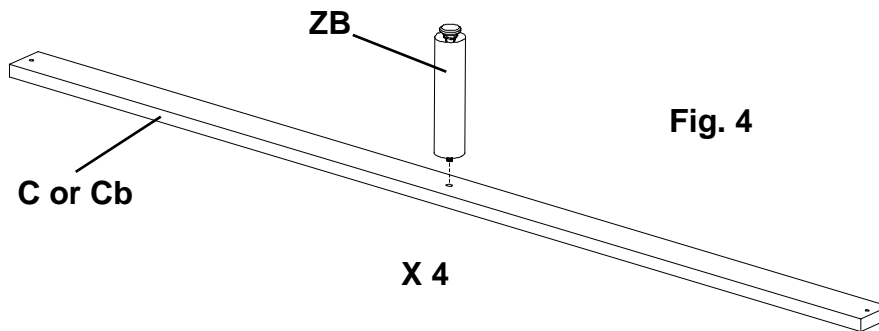
3. Using the Hex Wrench (N) provided, attach the Footboard (Be) to the Side Rails with four 1/4" x 1/2" Hex Bolts (H) and 1/4" Lock Washers (J) as shown in Figures 3 and 3a.



J		x 4
H		x 4



4. Attach an Assembled Foot (ZB) to four of the five Slats (C or Cb) as shown in Figure 4.



1346GACe 1346CAFe McKenzie Queen Bed
1349GACe 1349CAFe McKenzie King Bed
1352GACe 1352CAFe McKenzie Cal-King Bed
Assembly Instructions



5. Place the bed at its final location.
6. Position the Slats (C or Cb) on the bottom edges of the rails and place the slat without the Assembled Foot nearest to the Footboard. Attach with #8 x 1-1/4" Black Screws (E). See Figure 6.

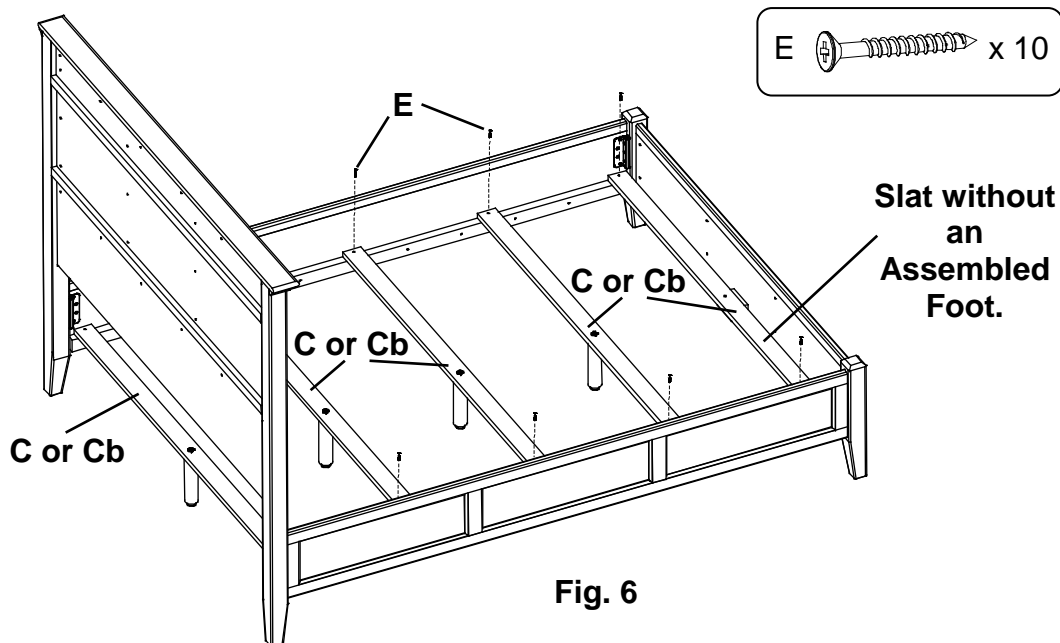


Fig. 6

7. Adjust the Adjustable Glides with Hex Nut (ZA) on the Assembled Feet (ZB) so the Glides just touch the floor, making sure the Assembled Feet bear weight.

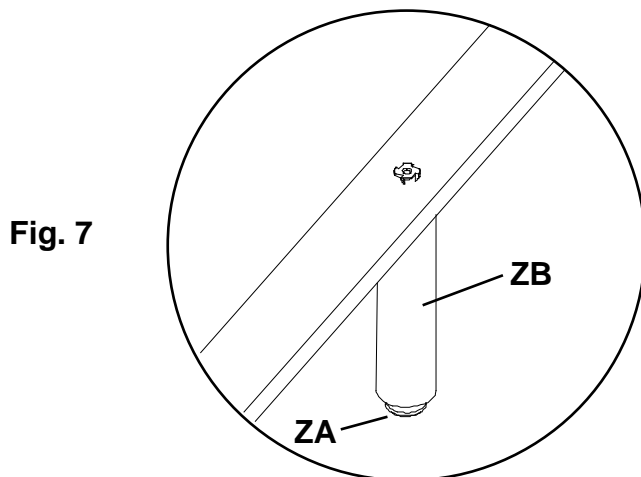


Fig. 7