

Pacific Storage Beds

GSP = Glazed Spice finish

CAF = Caffè finish

Assembly Instructions

Model #

1448GSPb, 1448CAFb

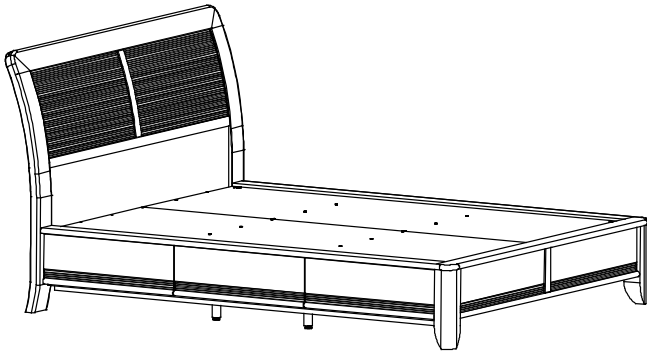
Pacific Queen Storage Bed

1452GSPb, 1452CAFb

Pacific King Storage Bed

1456GSPb, 1456CAFb

Pacific Cal-King Storage Bed



Thank you for allowing us to help you furnish your home. We are certain you will be delighted with your new furniture for many years to come.

IMPORTANT NOTES:

- For normal household use only. *Not* recommended for commercial use.
- Unload items before you move this unit.
- Do not overload the drawers.
- This assembly requires two people.

WARNING

Drilling, sawing, sanding or machining wood products can expose you to wood dust, a substance known to the state of California to cause cancer. Avoid inhaling wood dust or use a dust mask or other safeguards for personal protection.

For more information go to: www.p65warnings.ca.gov/wood

This product can expose you to chemicals, including formaldehyde, which are known to the State of California to cause cancer.

For more information go to: www.p65warnings.ca.gov/furniture

DESIGN SUBJECT TO CHANGE WITHOUT NOTICE.

CUSTOMER SERVICE

If you ever have questions about your furniture, please do not hesitate to contact us. In the unlikely event you need a replacement part; we can make those parts available through an authorized Whittier Wood Furniture dealer. If you cannot order replacement parts through your dealer, please contact our customer service department.

Hours: Our friendly customer service staff can be reached:

Monday-Friday 8:00 a.m. to 5:00 p.m. (Pacific Time).

You may leave a message 24 hours a day, seven days a week.

Customer Service: 800-653-3336 • Outside the U.S.: 541-687-0213

Fax: 541-687-2060 • Email: info@whittierwood.com

**Whittier
Wood**
FURNITURE

P.O. Box 2827
Eugene, OR 97402 USA

Production Code:

VN

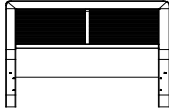

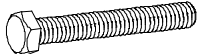






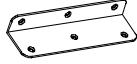
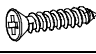



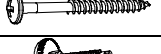


03/17

1448GSPb 1448CAFb Pacific Queen Storage Bed, 1452GSPb 1452CAFb Pacific King Storage Bed, 1456GSPb 1456CAFb Pacific Cal-King Storage Bed

Parts List

Please note this Assembly Instruction is for three beds. Please identify the bed part number when ordering parts. Please identify the parts and check that quantities received match those on this list. If you need to replace a part, refer to the following letter and part name.

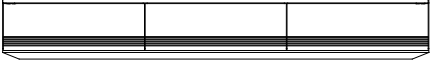
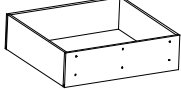



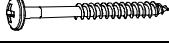
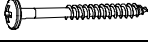
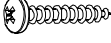
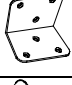



**1451GSPa 1451CAFb Queen Headboard/Footboard Kit (x1)
1455GSPa 1455CAFb King Headboard/Footboard Kit (x1)
1459GSPa 1459CAFb Cal-King Headboard/Footboard Kit (x1)**

Part	Description		Quantity
A	Headboard Assembly		1
B	Footboard Assembly		1
D	5/16" x 2-1/4" Hex Bolt		8
E	5/16" Flat Washer		8
F	1/4" x 80mm Hex Bolt		2
G	1/4" x 1-3/4" Hex Bolt		12
H	1/4" Flat Washer		12
I	Barrel Nut		2
J	3/8" x 1" Wood Dowel		2
K	Angle Bracket (attached)		2
L	#6 x 3/4" Flat Head Screw		12 (6 inserted)
S	Hex Wrench		1
U	Hanger Bolt (attached)		6
V	5/16" x 3/4" Insert Nut (inserted)		14
ZA	#6 x 1-1/4" Black Pan Head Screw (inserted)		91
ZF	Adjustable Glide with Hex Nut (installed)		6
ZG	Assembled Foot		6

1448GSPb 1448CAFb Pacific Queen Storage Bed, 1452GSPb 1452CAFb Pacific King Storage Bed, 1456GSPb 1456CAFb Pacific Cal-King Storage Bed

Parts List

1449GSPb 1449CAFb Queen Pedestal Kit (x2)
 1453GSPb 1453CAFb King Pedestal Kit (x2)
 1457GSPb 1457CAFb Cal-King Pedestal Kit (x2)

Part	Description	Quantity
N	Pedestal Kit 	1
O	Drawer Box (inserted) 	3
P	Drawer Face (attached) 	3
R	20" Drawer Slides (pre-installed sets) 	3
T	T-Nut (inserted) 	9
X	#7 x 1-1/2" Black Pan Head Screw (inserted) 	79
ZA	#6 x 1-1/4" Black Pan Head Screw (inserted) 	12
ZB	#8 x 20mm Pan Head Screw (inserted) 	12
ZC	Small Angle Bracket (attached) 	4
ZD	#6 x 1/2" Philtruss Screw (inserted) 	42
ZE	#6 x 3/4" Philtruss Screw (inserted) 	18
ZI	#8 x 7/8" Black Lo-Profile Screw (inserted) 	18

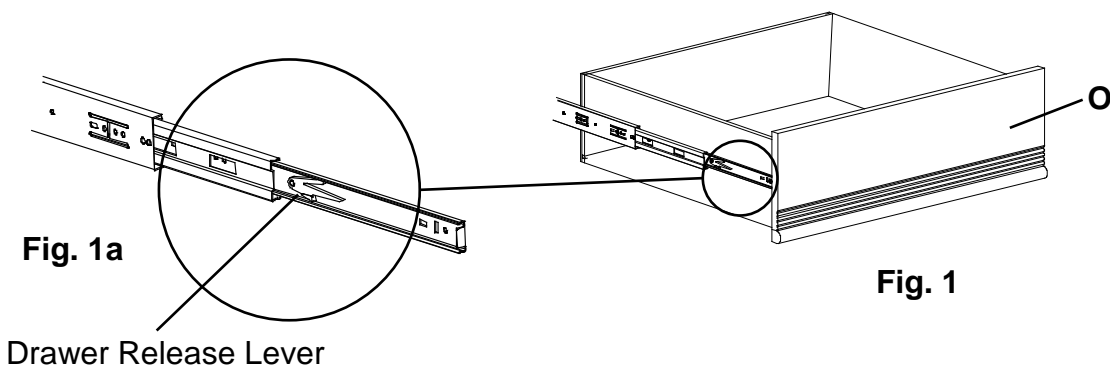
1448GSPb 1448CAFb Pacific Queen Storage Bed, 1452GSPb 1452CAFb Pacific King Storage Bed, 1456GSPb 1456CAFb Pacific Cal-King Storage Bed

Assembly Instructions

This assembly requires two people.

Tools Required: Hex Wrench (provided), Phillips Screwdriver, Slotted Screwdriver, 1/2" Wrench, 7/16" Wrench, Tape Measure, Rubber Mallet or Padded Hammer, Wood Glue

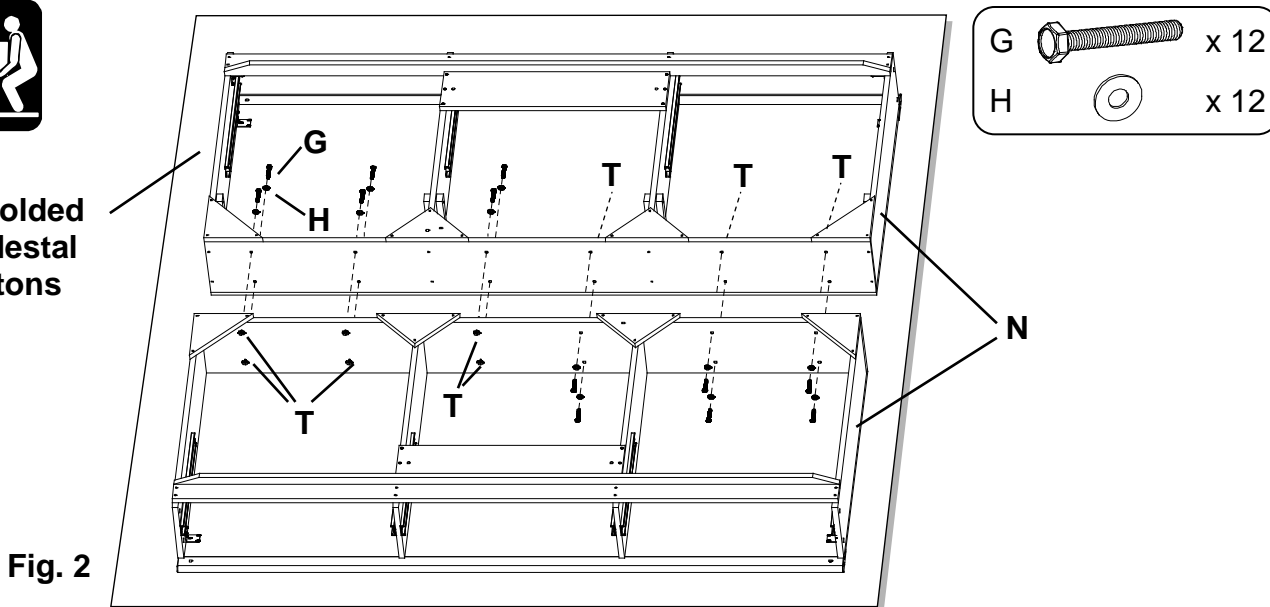
1. Remove the Drawers (O) from the Pedestal Kits (N). To remove the drawers, pull up on the left Drawer Release Lever while pushing down on the right Drawer Release Lever. See Figures 1 and 1a. Note where each drawer came from to ensure correct re-installation. Positions are marked on the drawer bottoms.



2. To protect your flooring and the surface of the unit, place the Pedestal Kits (N) face-down on top of opened and unfolded pedestal cartons as shown in Figure 2. (When you join the pedestals, carpet fibers can get caught in between the middle supports.) Place twelve 1/4" Washers (H) over twelve 1/4" x 1-1/4" Hex Bolts (G) and thread each through a pre-drilled hole and into a T-Nut in the middle support found on each pedestal. Finger tighten each bolt, making sure the pedestals line up with each other. Afterwards, use a 7/16" wrench to securely tighten each bolt. See Figure 2.



Unfolded Pedestal cartons

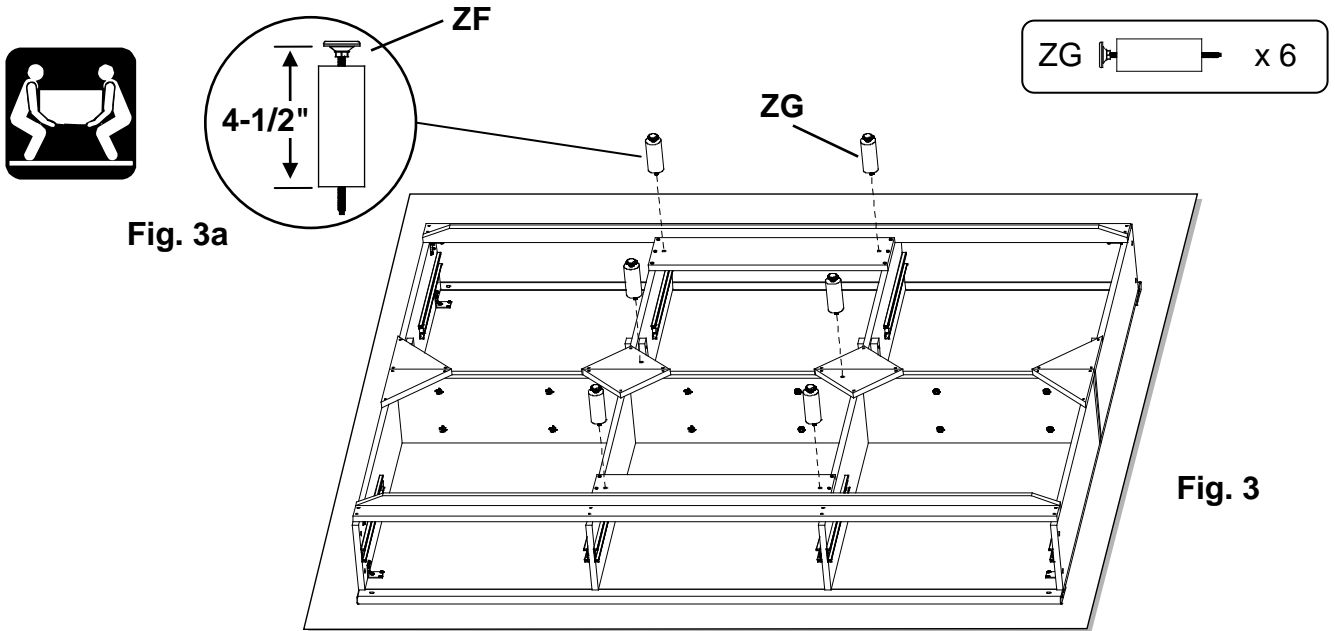


1448GSPb 1448CAFb Pacific Queen Storage Bed, 1452GSPb 1452CAFb Pacific King Storage Bed, 1456GSPb 1456CAFb Pacific Cal-King Storage Bed

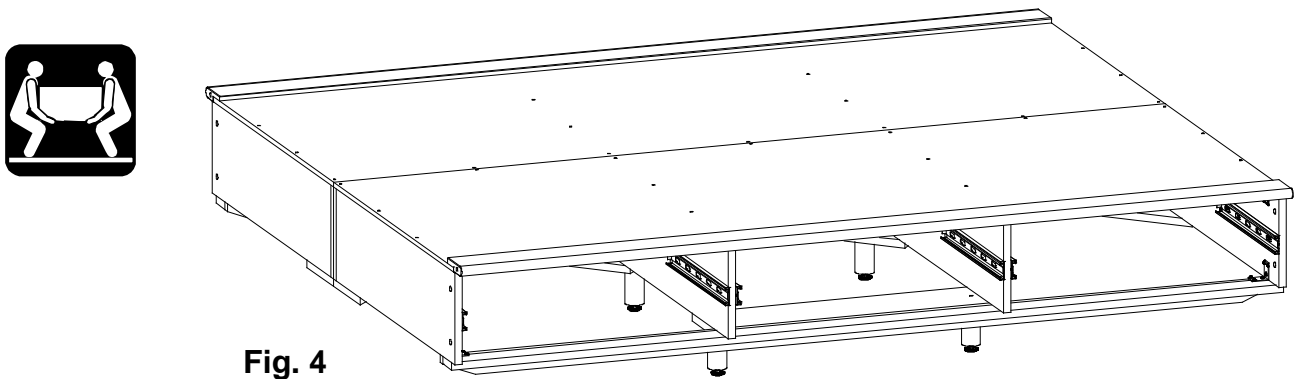
Assembly Instructions

This assembly requires two people.

3. Rotate the Adjustable Glides with Hex Nut (ZF) so that the Assembled Feet (ZG) are 4-1/2" tall as shown in Figure 3a. Attach the six Assembled Feet (ZG) as shown in Figure 3.



4. **This step requires two people to move the bed to its upright horizontal position.** Rotate the bed so the deck boards face up. **DO NOT PLACE UNDUE PRESSURE ON THE ASSEMBLED FEET.** See Figure 4.

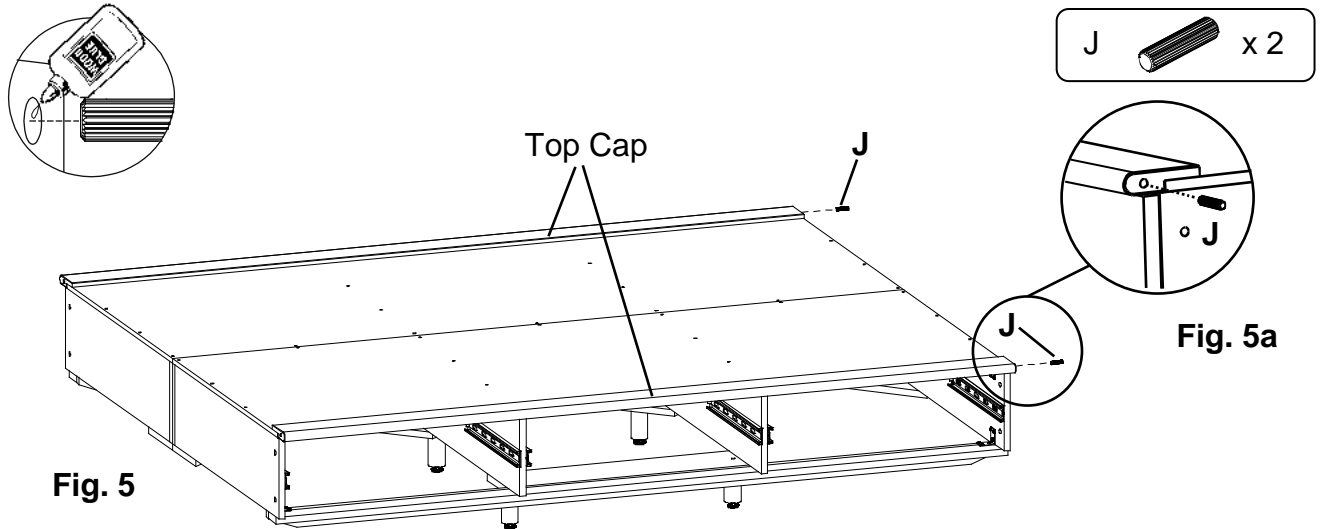


1448GSPb 1448CAFb Pacific Queen Storage Bed, 1452GSPb 1452CAFb Pacific King Storage Bed, 1456GSPb 1456CAFb Pacific Cal-King Storage Bed

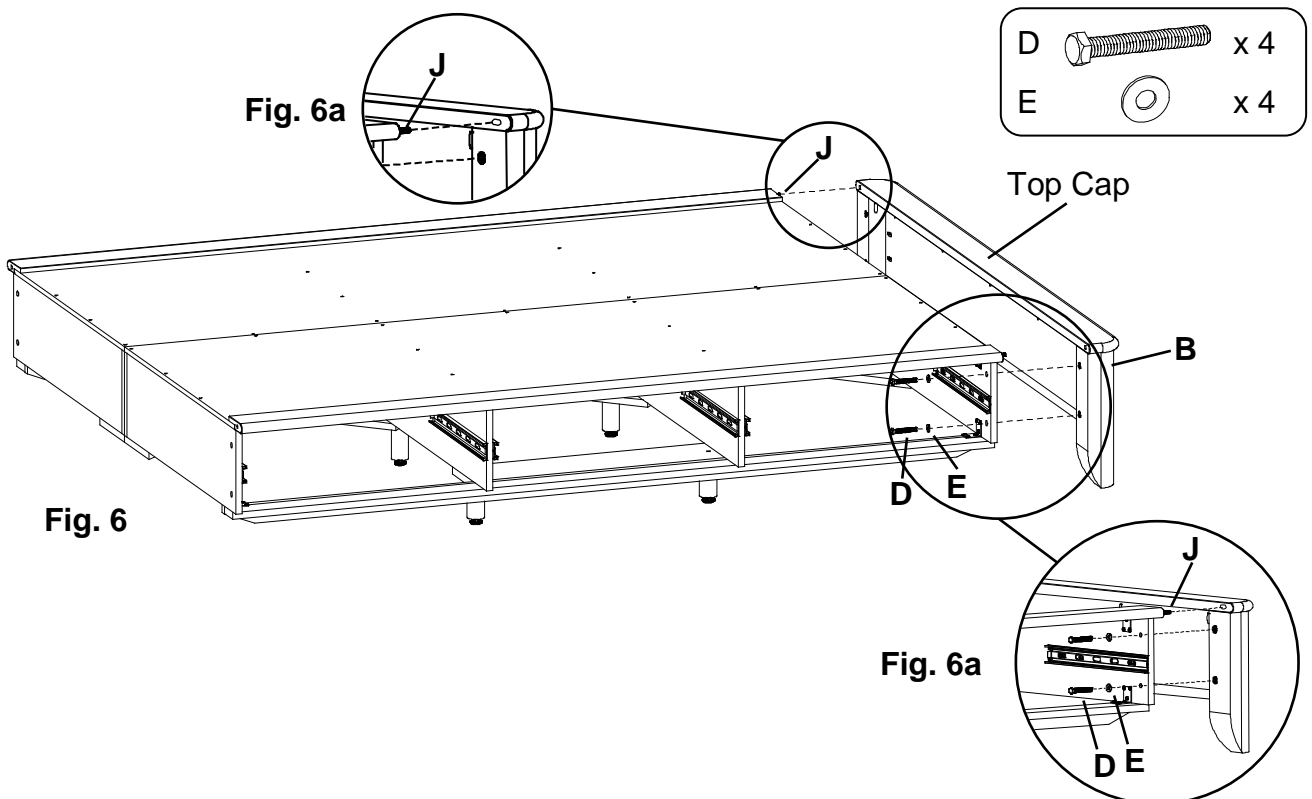
Assembly Instructions

This assembly requires two people.

5. Spread a thin film of glue in the dowel holes at one end of the top cap of the bed. Insert two dowels (J) and gently tap with a rubber mallet. Quickly wipe away any excess glue. See Figures 5 and 5a.



6. Position the Footboard (B) against the end of the pedestal assembly and insert the dowels (J) into the oval holes in the top cap of the footboard. Place four 5/16" Washers (E) over four 5/16" x 2-1/4" Hex Bolts (D) and thread the washer/bolts through the predrilled holes in the Pedestal Assembly and into the Footboard. Tighten the bolts with a 1/2" wrench. See Figures 6, 6a and 6b.

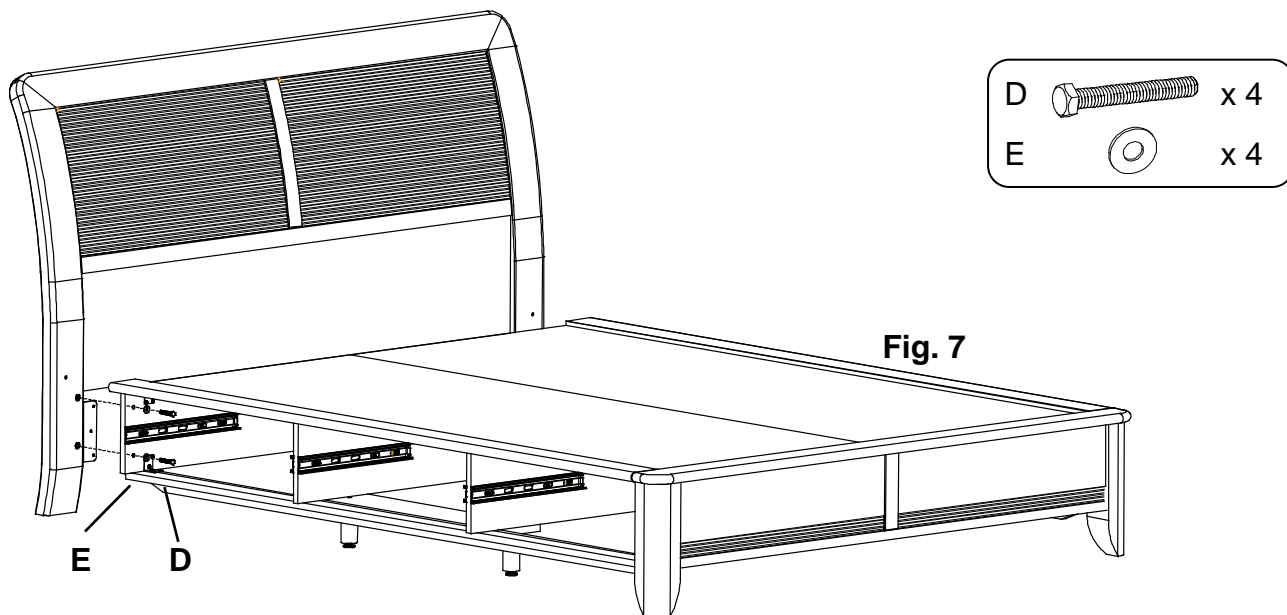


1448GSPb 1448CAFb Pacific Queen Storage Bed, 1452GSPb 1452CAFb Pacific King Storage Bed, 1456GSPb 1456CAFb Pacific Cal-King Storage Bed

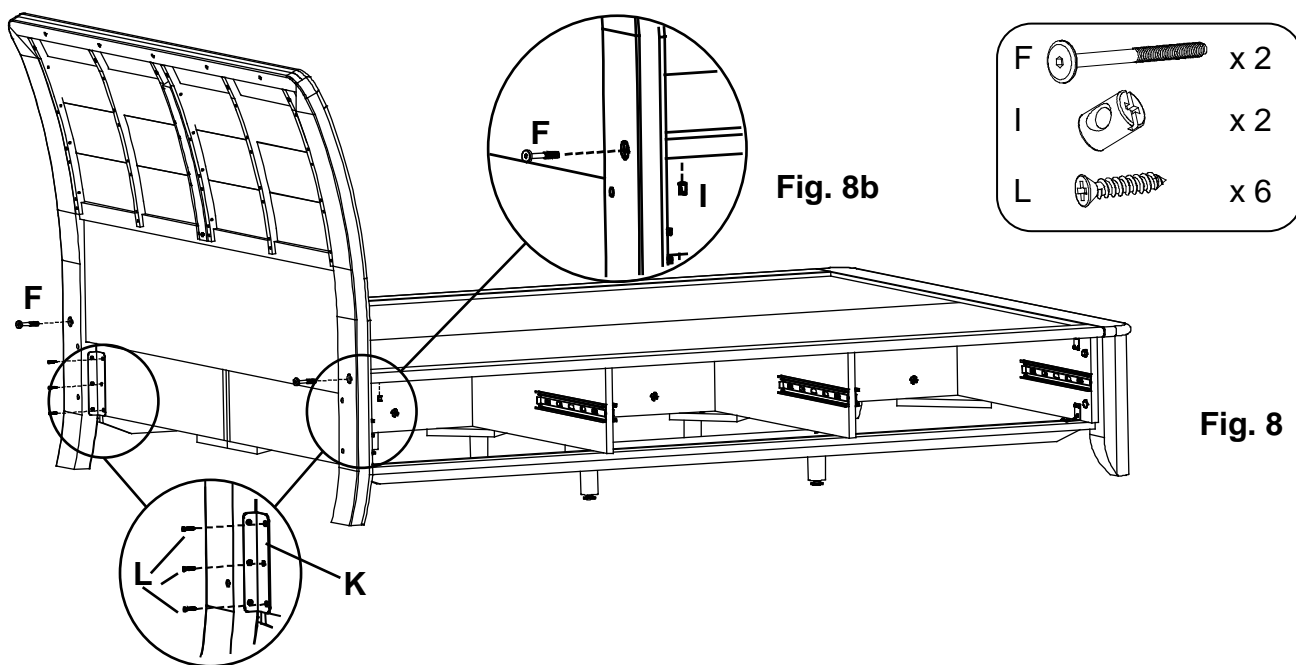
Assembly Instructions

This assembly requires two people.

7. Position the Headboard (A) against the end of the pedestal assembly. Place four 5/16" Washers (E) over four 5/16" x 2-1/4" Hex Bolts (D) and thread the washer/bolts through the predrilled holes in the Pedestal Assembly and into the Headboard. Tighten the bolts with a 1/2" wrench. See Figure 7.



8. Secure the pre-attached Angle Brackets (K) on the Headboard to the Pedestal Assembly with six #6 x 3/4" Flat Head Screws (L). See Figures 8 and 8a. Insert one Barrel Nut (I) into the predrilled holes on the bottom of the left pedestal rail. Using a slotted screwdriver, line up the hole in the Barrel Nut to the hole in the Headboard. Insert one 1/4" x 80mm Hex Bolt (F) into the predrilled hole in the Headboard and tighten with the provided Hex Wrench (S). Repeat for the right side. See Figures 8 and 8b.



1448GSPb 1448CAfb Pacific Queen Storage Bed, 1452GSPb 1452CAfb Pacific King Storage Bed, 1456GSPb 1456CAfb Pacific Cal-King Storage Bed

Assembly Instructions

This assembly requires two people.

9. Place your bed into its final position; verify that all 6 Assembled Feet (ZG) are touching the floor and carrying weight, if needed, use a 7/16" wrench to adjust the Adjustable Glides (ZF) on the bottoms of the Assembled Feet (ZG). See Figure 9. Carefully align the drawer slides and gently insert the six drawers into their correct positions. Sleep well and enjoy!

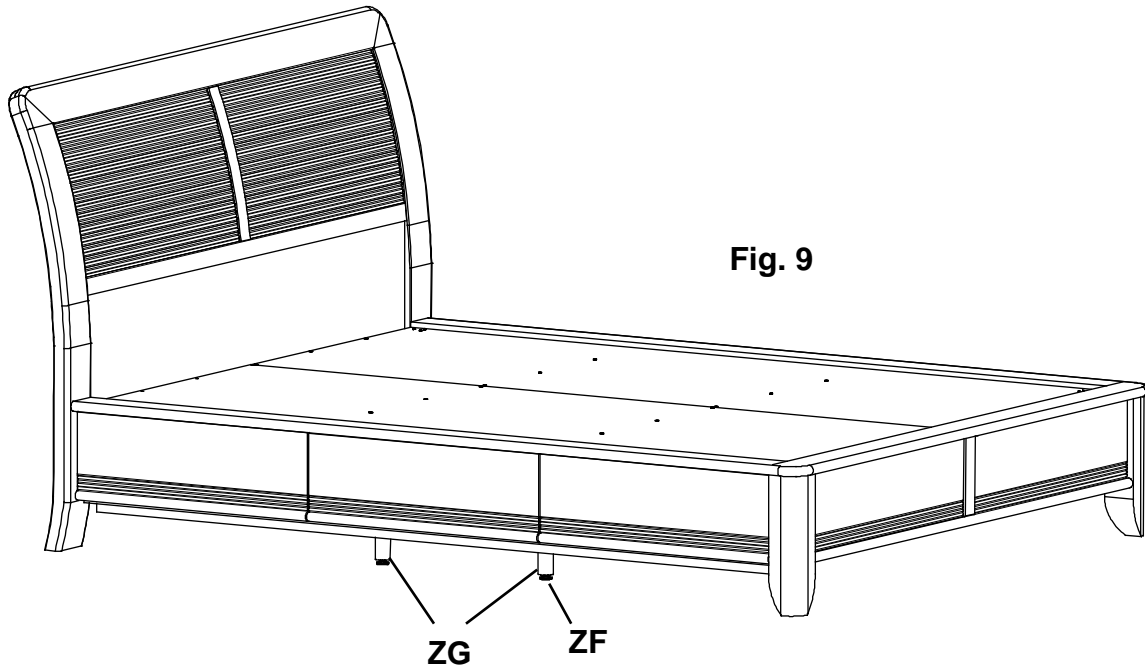


Fig. 9