

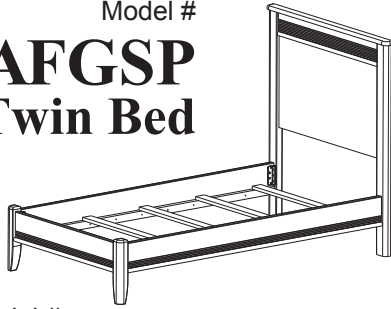
Pacific Bed Collection

Glazed Spice finish

Assembly Instructions

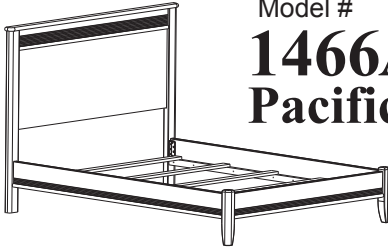
Model #

1460AFGSP Pacific Twin Bed



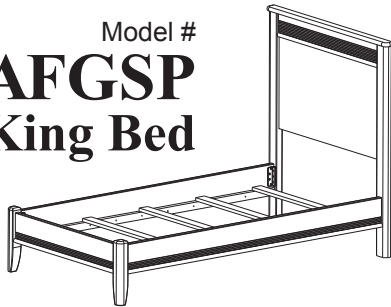
Model #

1466AFGSP Pacific Queen Bed



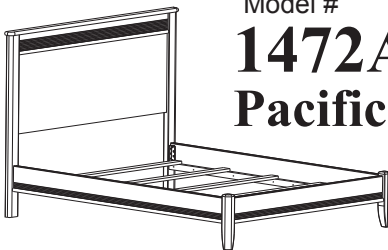
Model #

1469AFGSP Pacific King Bed



Model #

1472AFGSP Pacific Cal-King Bed



Congratulations!

This fine piece of furniture will make a gorgeous addition to your home. For the best results, read the Assembly Instructions before you begin your project.

**For normal household use only.
NOT recommended for commercial use.**



Unload items from this unit prior to moving.

Before loading or moving this item, make sure all screws and supports are tight.

DESIGN SUBJECT TO CHANGE WITHOUT NOTICE.

**Whittier
Wood**
FURNITURE

P.O. Box 2827
Eugene, OR 97402 USA



CALL US FIRST!

DO NOT RETURN ITEM TO STORE

Service Policy: We will replace parts which are defective, missing or damaged. Please contact Whittier Wood Products customer service department directly (by phone, fax, mail or E-mail) for replacement parts.

Hours: Our friendly customer service staff can be reached Monday-Friday 7:00 a.m. to 5:00 p.m. (Pacific Time). A message can be left 24 hours a day, 7 days a week.

To Order: Provide the complete furniture model number, part letter, production code, quantity needed, reason for replacement and your full name and address along with a telephone number in case we need to contact you.

Parts ship from our Eugene, Oregon factory within 1 or 2 business days from the time we receive the request. Please allow 5-10 business days for delivery.

800-653-3336

Outside U.S. or Canada: 541- 687- 0213

Fax: 541-687-2060 • www.whittierwood.com

Mail: P.O. Box 2827 • Eugene, Oregon 97402, U.S.A

IMPORTANT NOTES:

- Completely read the Assembly Instructions before you begin your project.
- Store the item: 1) in the box; 2) in a dry place; 3) in temperatures that range from 40° to 90°F (not on a cold and possibly damp cement floor).
- Inspect your furniture periodically for any loose glue joints, screws or any other problem that might affect the stability of your furniture. Tighten or repair as needed.
- This assembly requires two people.

Production Code:

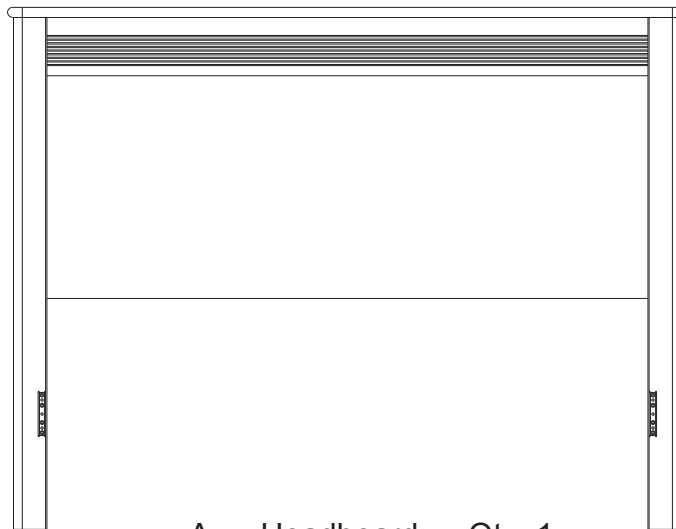
VN

08/09

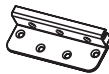
1460AFGSP Pacific Twin Bed; 1466AFGSP Pacific Queen Bed; 1469AFGSP Pacific King Bed; 1472AFGSP Pacific Cal-King Bed — Parts List

Please identify the parts and check that quantities received match those on this list.
If you need to replace a part, refer to the following letter and model name.

1461AFGSP Twin Headboard 1467AFGSP Queen Headboard 1470AFGSP King Headboard 1473AFGSP Cal-King Headboard



A — Headboard — Qty. 1



B — Male Bracket
— Qty. 2 (attached)



C — #8 x 1" Black Screw
— Qty. 8 (inserted)

1460AFGSP Pacific Twin Bed; 1466AFGSP Pacific Queen Bed; 1469AFGSP Pacific King Bed; 1472AFGSP Pacific Cal-King Bed — Parts List (Cont.)

1462AFGSP Twin Bed Footboard/Rail Kit			1468AFGSP Queen Bed Footboard/Rail Kit		
Item	Description	Qty.	Item	Description	Qty.
D	Footboard	1	D	Footboard	1
E	Rail	2	E	Rail	2
F	Slat	5	F	Slat	5
G	T-Nut (inserted)	0	G	T-Nut (inserted)	5
H	Assembled Foot	0	H	Assembled Foot	4
I	Adjustable Glide (installed)	0	I	Adjustable Glide (installed)	4
J	T-Nut (installed)	0	J	T-Nut (installed)	4
K	Hanger Bolt (inserted)	0	K	Hanger Bolt (inserted)	4
B	Male Bracket (attached)	2	B	Male Bracket (attached)	2
L	Female Bracket (attached)	4	L	Female Bracket (attached)	4
C	#8 x 1" Black Screw (inserted)	24	C	#8 x 1" Black Screw (inserted)	24
M	6x12mm Hex Bolt	8	M	6x12mm Hex Bolt	8
N	¼" Lock Washer	8	N	¼" Lock Washer	8
O	#8 x 1¼" Black Screw (18 inserted)	28	O	#8 x 1¼" Black Screw (19 inserted)	29
P	5mm Hex Wrench	1	P	5mm Hex Wrench	1

1471AFGSP King Bed Footboard/Rail Kit			1474AFGSP Cal-King Bed Footboard/Rail Kit		
Item	Description	Qty.	Item	Description	Qty.
D	Footboard	1	D	Footboard	1
E	Rail	2	E	Rail	2
F	Slat	5	F	Slat	5
G	T-Nut (inserted)	5	G	T-Nut (inserted)	5
H	Assembled Foot	4	H	Assembled Foot	4
I	Adjustable Glide (installed)	4	I	Adjustable Glide (installed)	4
J	T-Nut (installed)	4	J	T-Nut (installed)	4
K	Hanger Bolt (inserted)	4	K	Hanger Bolt (inserted)	4
B	Male Bracket (attached)	2	B	Male Bracket (attached)	2
L	Female Bracket (attached)	4	L	Female Bracket (attached)	4
C	#8 x 1" Black Screw (inserted)	24	C	#8 x 1" Black Screw (inserted)	24
M	6x12mm Hex Bolt	8	M	6x12mm Hex Bolt	8
N	¼" Lock Washer	8	N	¼" Lock Washer	8
O	#8 x 1¼" Black Screw (20 inserted)	30	O	#8 x 1¼" Black Screw (20 inserted)	30
P	5mm Hex Wrench	1	P	5mm Hex Wrench	1

1460AFGSP Pacific Twin Bed; 1466AFGSP Pacific Queen Bed; 1469AFGSP Pacific King Bed; 1472AFGSP Pacific Cal-King Bed Assembly Instructions

This Assembly Requires Two People

TOOLS REQUIRED: 5mm Hex Wrench (provided) and Phillips Screwdriver

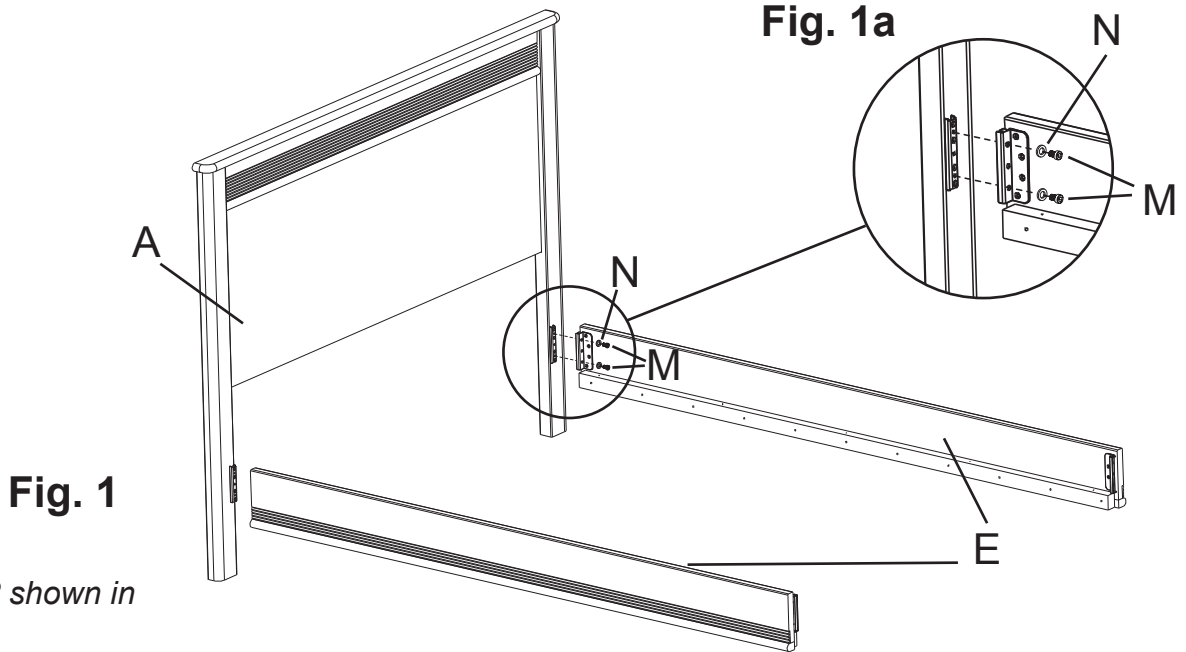


Fig. 1

1468AFGSP shown in illustrations.

1. Using the Hex Wrench (P) provided, attach Rails (E) to Headboard (A) with four 6 x 12mm Hex Bolts (M) and four 1/4" Lock Washers (N) as shown in Figures 1 and 1a.

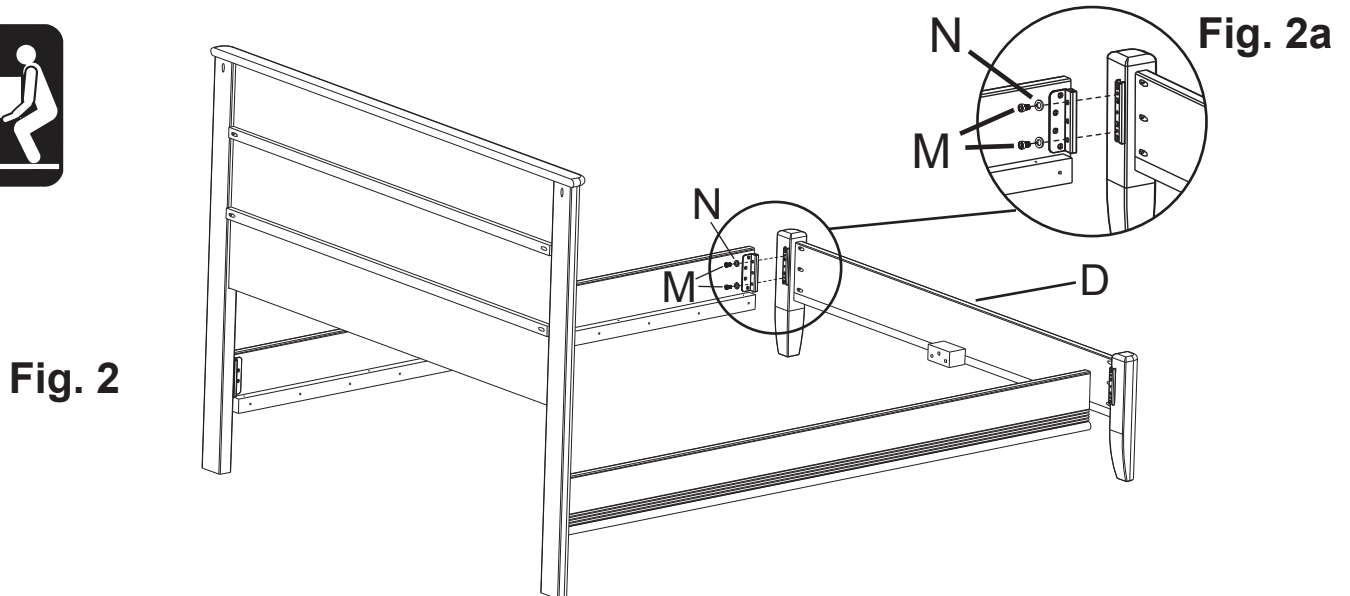
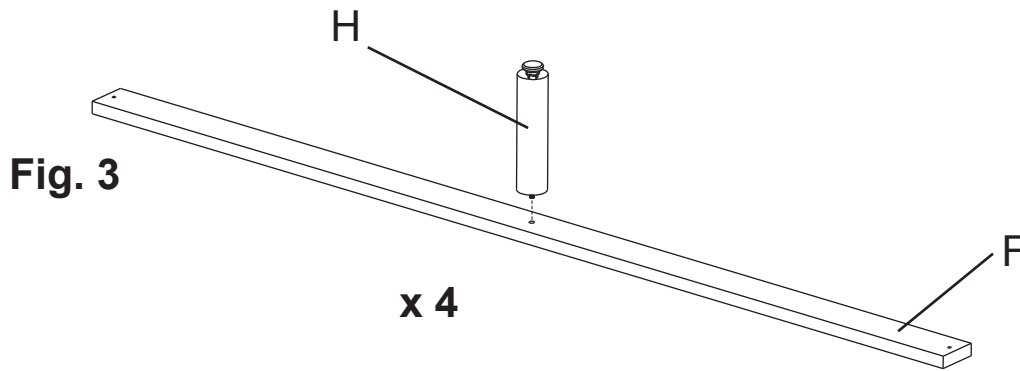


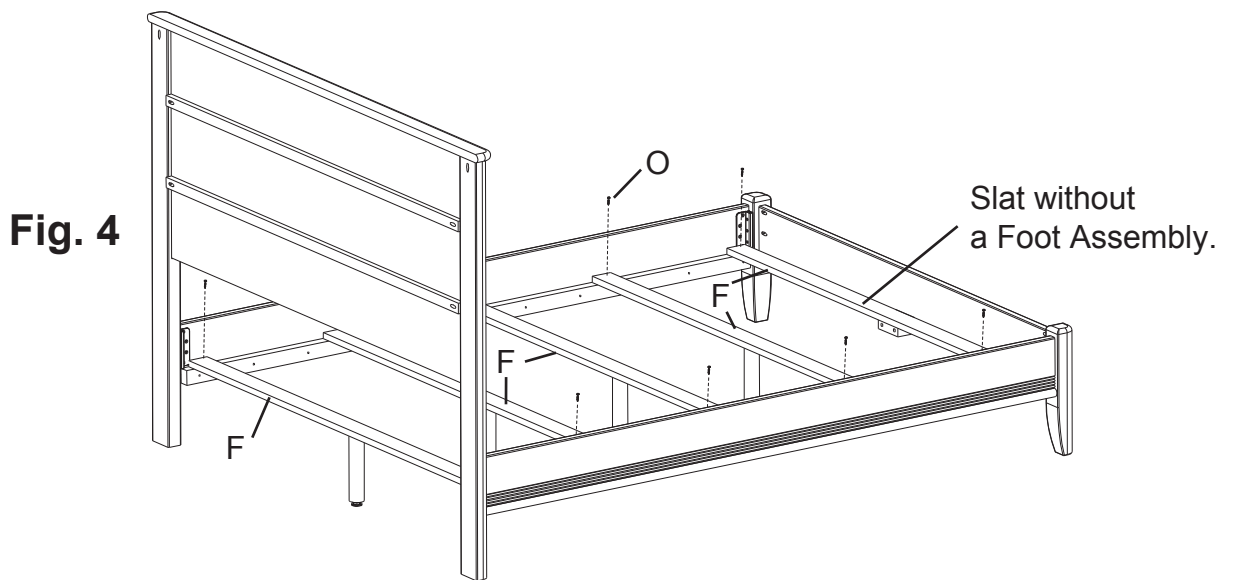
Fig. 2

2. Using the Hex Wrench (P) provided, attach Footboard (D) to Rails with four 6 x 12mm Hex Bolts (M) and four 1/4" Lock Washers (N) as shown in Figures 2 and 2a.

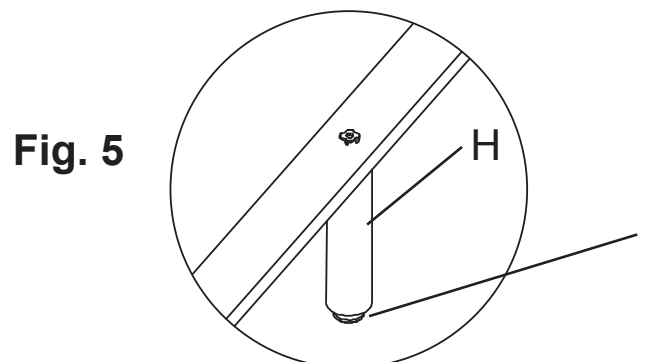


NOTE: Not applicable for the twin bed.

3. Attach an Assembled Foot (H) to four of the Slats (F) as shown in Figure 3.



4. Position the Slats (F) on the bottom edges of rails as shown in Figure 4. Attach with ten #8 x 1¼" Black Screws (O). For the Queen, King or Cal-King bed, place the slat without the Foot Assembly next to the Footboard. See Figure 4.



NOTE: Not applicable for Twin Bed.

5. Adjust Glides (I) on the Foot Assemblies (H) so the Glides just touch the floor.
Sleep well, and enjoy!