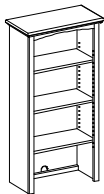


McKenzie Alder Hutch Finished Program

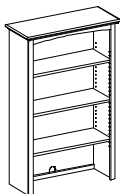
Assembly Instructions

Model #



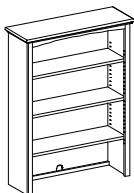
1614a

**McKenzie Alder
Hutch 24"W**



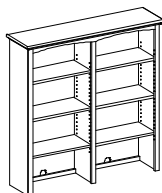
1620a

**McKenzie Alder
Hutch 30"W**



1626a

**McKenzie Alder
Hutch 36"W**



1632a

**McKenzie Alder
Hutch 48"W**

Thank you for allowing us to help you furnish your home. We are certain you will be delighted with your new furniture for many years to come.

IMPORTANT NOTES:

- For normal household use only. *Not* recommended for commercial use.
- Do not climb, sit or stand on this piece of furniture.
- Do not overload the shelves.
- Unload items before you move this unit.
- Before you begin your project, completely read the Assembly Instructions.
- This assembly requires two people.

WARNING

Children have died from furniture tipover. To reduce the risk of furniture tipover:

- ALWAYS install tipover restraint provided.
- NEVER put a TV on this product.
- NEVER allow children to stand, climb or hang on doors, or shelves.
- Place heaviest items on the bottom shelves.

Use of tipover restraints may only reduce, but not eliminate, the risk of tipover.

Attention: Attached to the bottom of or included with this unit is a tipping restraint kit. When you receive your furniture, be sure to find and install the tipping restraint as instructed in the kit. If you cannot locate the restraint, please contact customer service immediately for a replacement.

Drilling, sawing, sanding or machining wood products can expose you to wood dust, a substance known to the state of California to cause cancer. Avoid inhaling wood dust or use a dust mask or other safeguards for personal protection.

For more information go to: www.p65warnings.ca.gov/wood

This product can expose you to chemicals, including formaldehyde, which are known to the State of California to cause cancer. For more information go to: www.p65warnings.ca.gov/furniture

DESIGN SUBJECT TO CHANGE WITHOUT NOTICE.

CUSTOMER SERVICE

If you ever have questions about your furniture, please do not hesitate to contact us. In the unlikely event you need a replacement part; we can make those parts available through an authorized Whittier Wood Furniture dealer. If you cannot order replacement parts through your dealer, please contact our customer service department.

Hours: Our friendly customer service staff can be reached:

Monday-Friday 8:00 a.m. to 5:00 p.m. (Pacific Time).

You may leave a message 24 hours a day, seven days a week.

Customer Service: 800-653-3336 • Outside the U.S.: 541-687-0213

Fax: 541-687-2060 • Email: info@whittierwood.com

**Whittier
Wood**
FURNITURE

P.O. Box 2827
Eugene, OR 97402 USA

Production Code:

VN

08/19

1614a; 1620a; 1626a & 1632a McKenzie Alder Hutch

Parts List

Before you begin to assemble this unit, identify each part and make sure the quantities received match what is on this list.

If you need to replace a part, please refer to the following list for the finish, part name and letter code.

Bookcase Finish

Please note the finish of the bookcase for replacement part orders.
Bookcase finish options are subject to change.

Stain


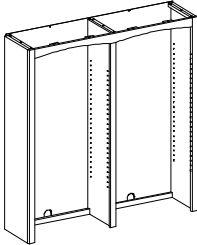





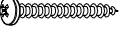

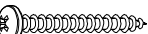

GAC	Glazed Antique Cherry	CAF	Caffè	FST	Fieldstone	HAZ	Hazelnut	NA	Natural Alder
------------	-----------------------	------------	-------	------------	------------	------------	----------	-----------	---------------

Paint






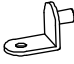
SN	Snowbound SW 7004	AW	Aged White SW 9180	SL	Silverplate SW 7649	TB	Tricorn Black SW 6258
-----------	-------------------	-----------	--------------------	-----------	---------------------	-----------	-----------------------

Two-Tone

SNN	Snowbound SW 7004 Natural Alder	AWN	Aged White SW 9180 Natural Alder	SLN	Silverplate SW 7649 Natural Alder	TBN	Tricorn Black SW 6258 Natural Alder
------------	------------------------------------	------------	-------------------------------------	------------	--------------------------------------	------------	--

Part	Description	Quantity			
		1614a	1620a	1626a	1632a
A	Top Assembly (attached) 	1	1	1	1
Ba	Case 	1	1	1	1
C	Adjustable Shelf (installed) 	2	2	2	4
D	Lower Shelf (installed) 	1	1	1	0
E	Left Lower Shelf (installed) 	0	0	0	1
F	Right Lower Shelf (installed) 	0	0	0	1
G	#6 x 1/2" Undercut Screw (inserted) 	8	8	8	16
R	#8 x 1" Pan Head Screw (inserted) 	8	8	10	10
I	#6 x 5/8" Philtruss Screw (inserted) 	8	8	8	9
J	#8 x 1-1/4" Pan Head Screw 	2	2	2	2
K	#8 x 1-1/4" Black Screw (inserted) 	0	0	0	1

1614a; 1620a; 1626a & 1632a McKenzie Alder Hutch
Parts List

Part	Description	Quantity			
		1614a	1620a	1626a	1632a
L	#8 Washer (inserted) 	7	7	8	11
M	Pad Strip 	2	2	2	3
N	Lock Plate 	2	2	2	2
O	Rafix Bolt (attached) 	4	4	4	8
P	Rafix Cam (attached) 	4	4	4	8
Q	Shelf Bracket (installed) 	8	8	8	16
TB	Bookcase Tipping Restraint	1 set	1 set	1 set	1 set

1632 shown in the illustrations.

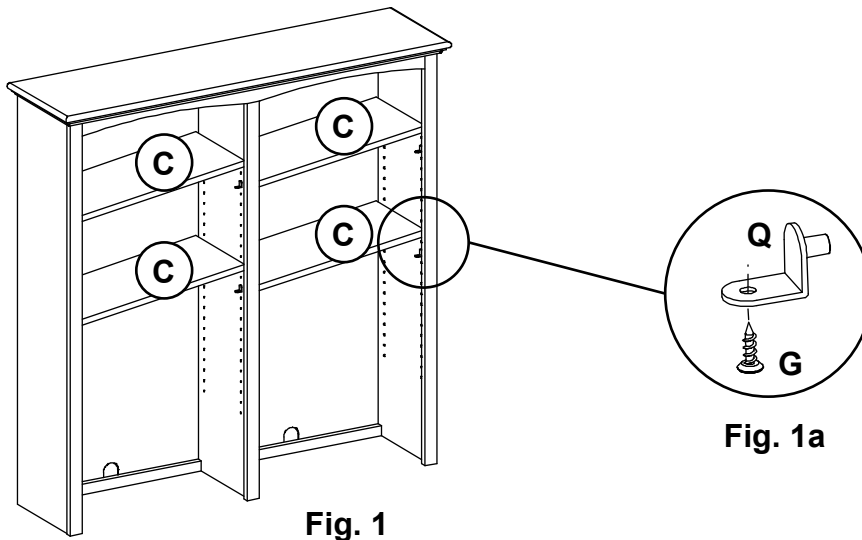
1614a; 1620a; 1626a & 1632a McKenzie Alder Hutch

Assembly Instructions

Tools Required: Phillips Screwdriver, Pencil, Rubber mallet or Padded hammer.

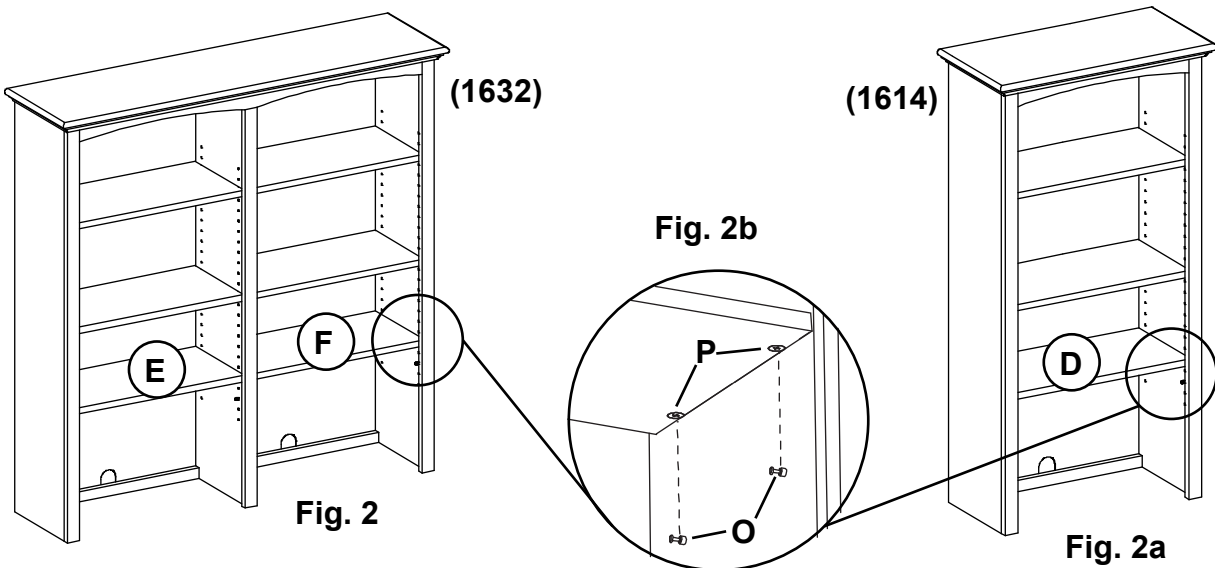
1. To move the adjustable shelves:

Determine where you want to place the Adjustable Shelves (C). Remove the #6 x 1/2" Undercut Screws (G) from the underside of the shelf and take out the shelf and Shelf Brackets (Q). Insert the Shelf Brackets (Q) flat side down into the four different holes and install the shelf. You may secure them by inserting #6 x 1/2" Undercut Screws (G). See Figures 1 and 1a.



2. NOTE: READ THE RAFIX ATTACHMENT SYSTEM INSTRUCTIONS NOW (See Page 10) BEFORE YOU BEGIN THE FOLLOWING STEP.

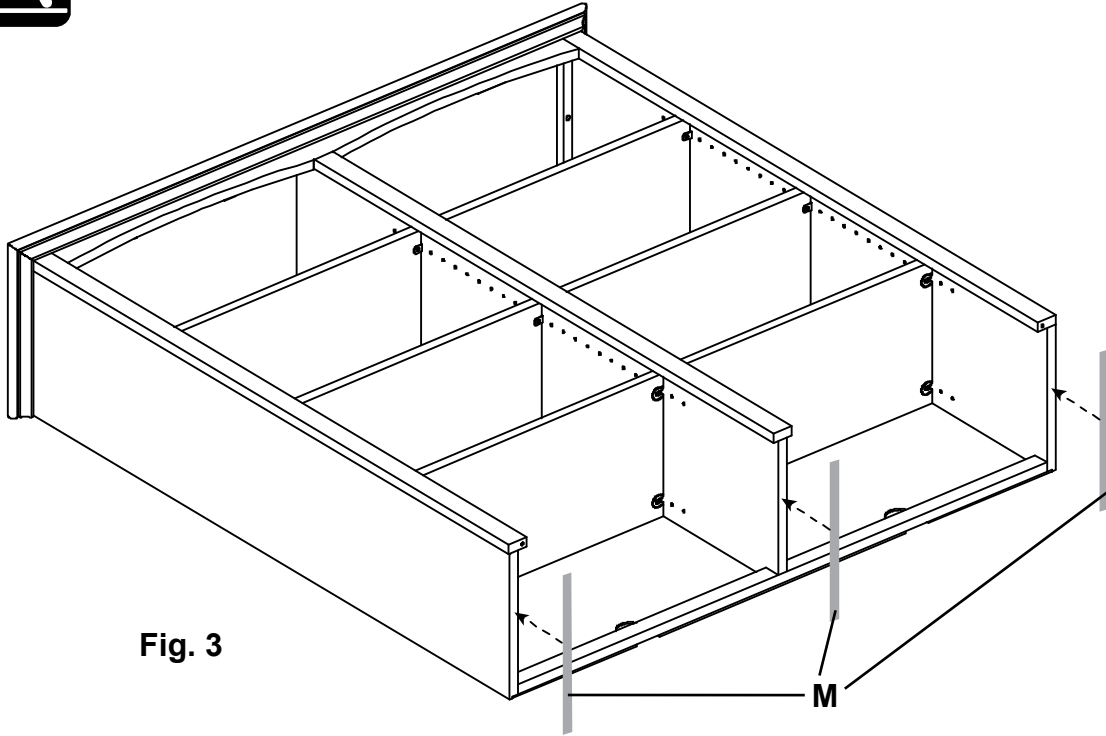
To move the Lower Shelf (D) or Lower Shelves (E and F), loosen the Rafx Cams (P) and remove the Shelf/Shelves. Reposition the Rafx Bolts (O), replace the shelf and settle the Rafx Cams over the Bolts. Tighten the Rafx Cams. See Figures 2, 2a and 2b.



1614a; 1620a; 1626a & 1632a McKenzie Alder Hutch

Assembly Instructions

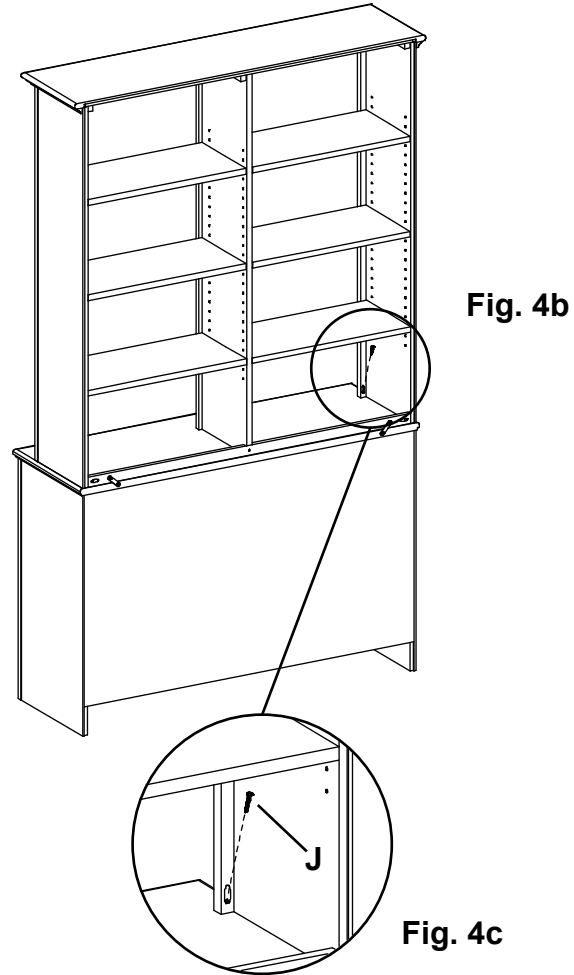
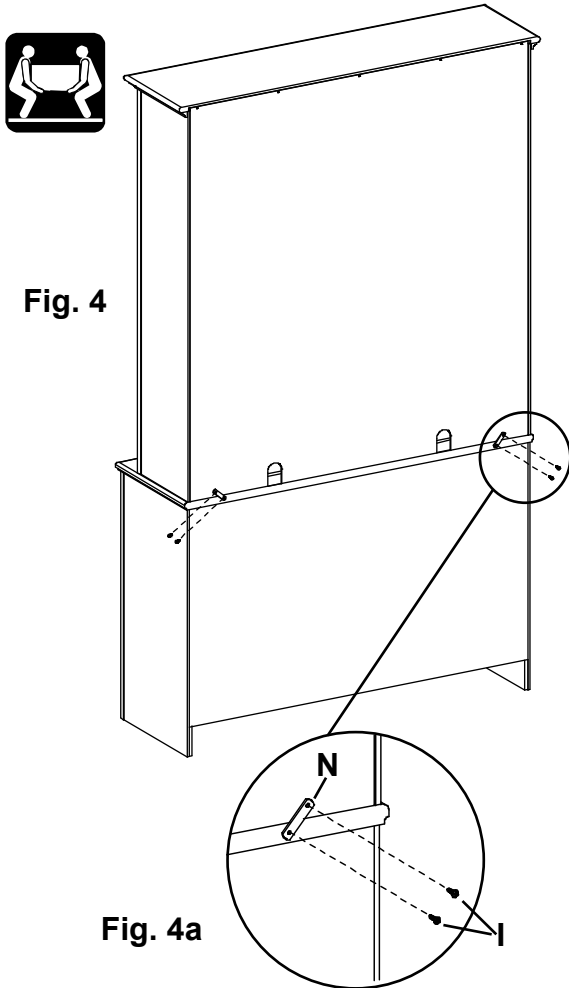
3. Place the Hutch face-up on a clean, protected surface. Peel the backing tape off one of the Pads Strip (M) and place it on the bottom of the left side of the Case Assembly. Repeat for the right side and for the 1632 on the Vertical Divider. See Figure 3.



Continued on Page 5

1614a; 1620a; 1626a & 1632a McKenzie Alder Hutch Assembly Instructions

4. It is important you secure your Hutch to your Cabinet. Place the Hutch on top of the McKenzie Alder Cabinet and line it up with the back and sides. Find the Lock Plates (N) attached at each side of the Hutch near the bottom edge and remove the innermost screw (I) from each. Rotate the end of the Plate downward until the hole for the screw is centered on the back edge of the top of the Cabinet. Insert the screws into the Cabinet to secure the Hutch as shown in Figures 4 and 4a. For additional stability, insert a #8 x 1-1/4" Pan Head Screw (J) through the pocket hole located behind the face molding on each side panel on the Hutch. Note this will create two holes in the top of the Cabinet. See Figures 4b and 4c.

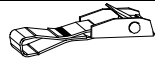
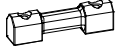




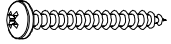
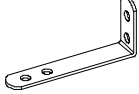


Back on the Hutch removed for illustration purposes.

5. Your Base unit includes a Tipping Restraint Kit to secure the completed item to the wall to protect from possible tip over hazards. If you are attaching this Hutch to an older Cabinet and no longer have the Tipping restraint kit, use the Kit included with this Hutch to secure the item. Attach the end of the Strap to the Bottom Shelf of your Cabinet unit near the back edge at the center of the item, and follow the instructions in the Tipping Restraint Kit.

Bookcase Tipping Restraint Instructions

Before you begin this assembly, identify each part and make sure the quantities received match what is on this list. If you need to replace a part, contact Whittier Wood Furniture customer service and refer to the following list for its name and letter code.

Part	Description		Quantity
A	Cam Buckle and Short Strap (installed)		1
B	Plastic Bracket (installed)		1
C	1" x 1000mm Long Strap (installed)		1
D	#8 x 3" Pan Head Screw		2
F	Washer (installed)		1
G	#8 x 5/8" Pan Head Screw		2 (1 inserted)
H	#8 x 1-1/4" Pan Head Screw		1
I	"L" Angle Bracket		1

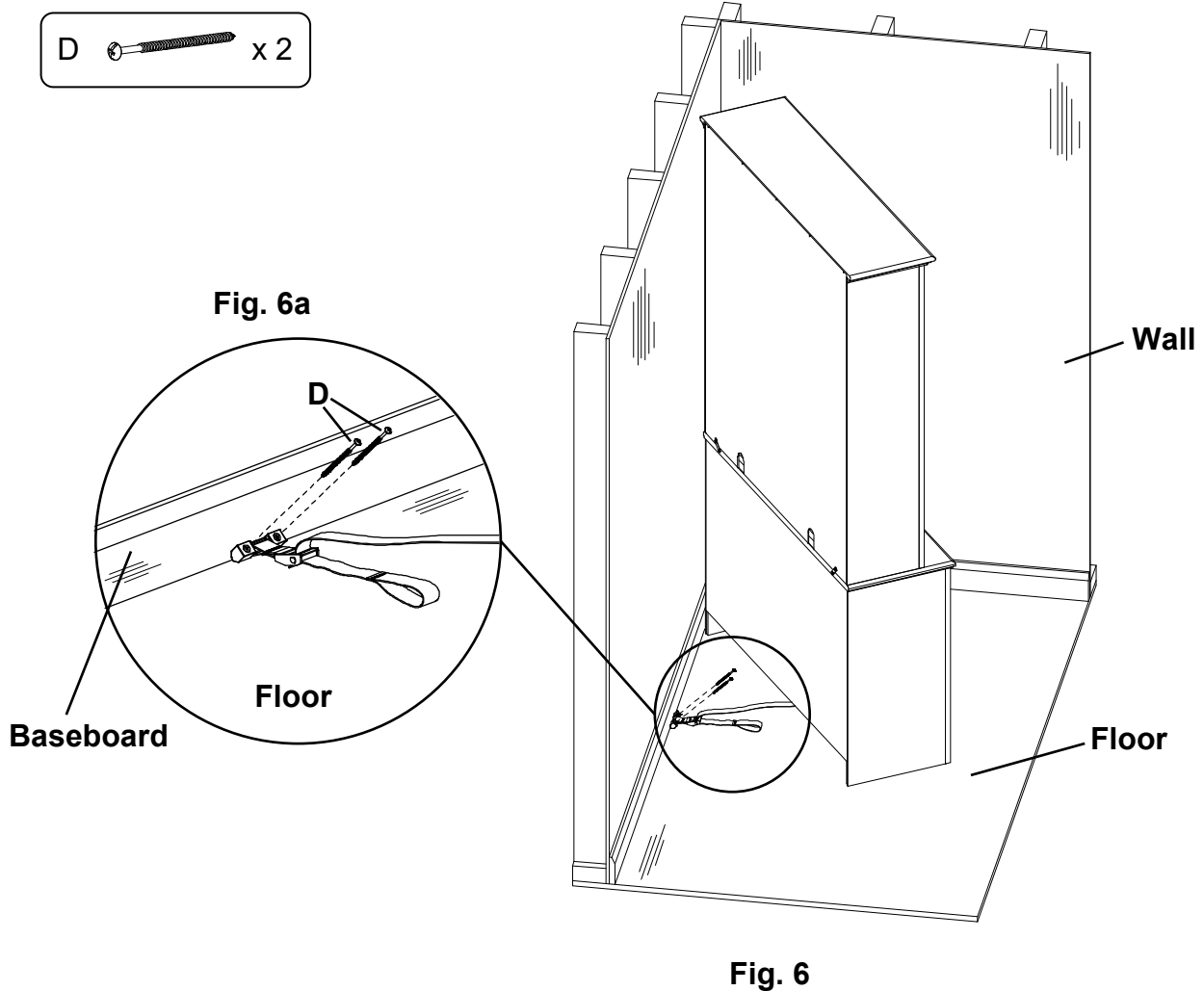
If you have a stone or tile floor or do not wish to drive screws into the corner of the baseboard and floor see the instruction included inside the tipping restraint kit for an alternate installation.

Continued on Page 7

1614a; 1620a; 1626a & 1632a McKenzie Alder Hutch

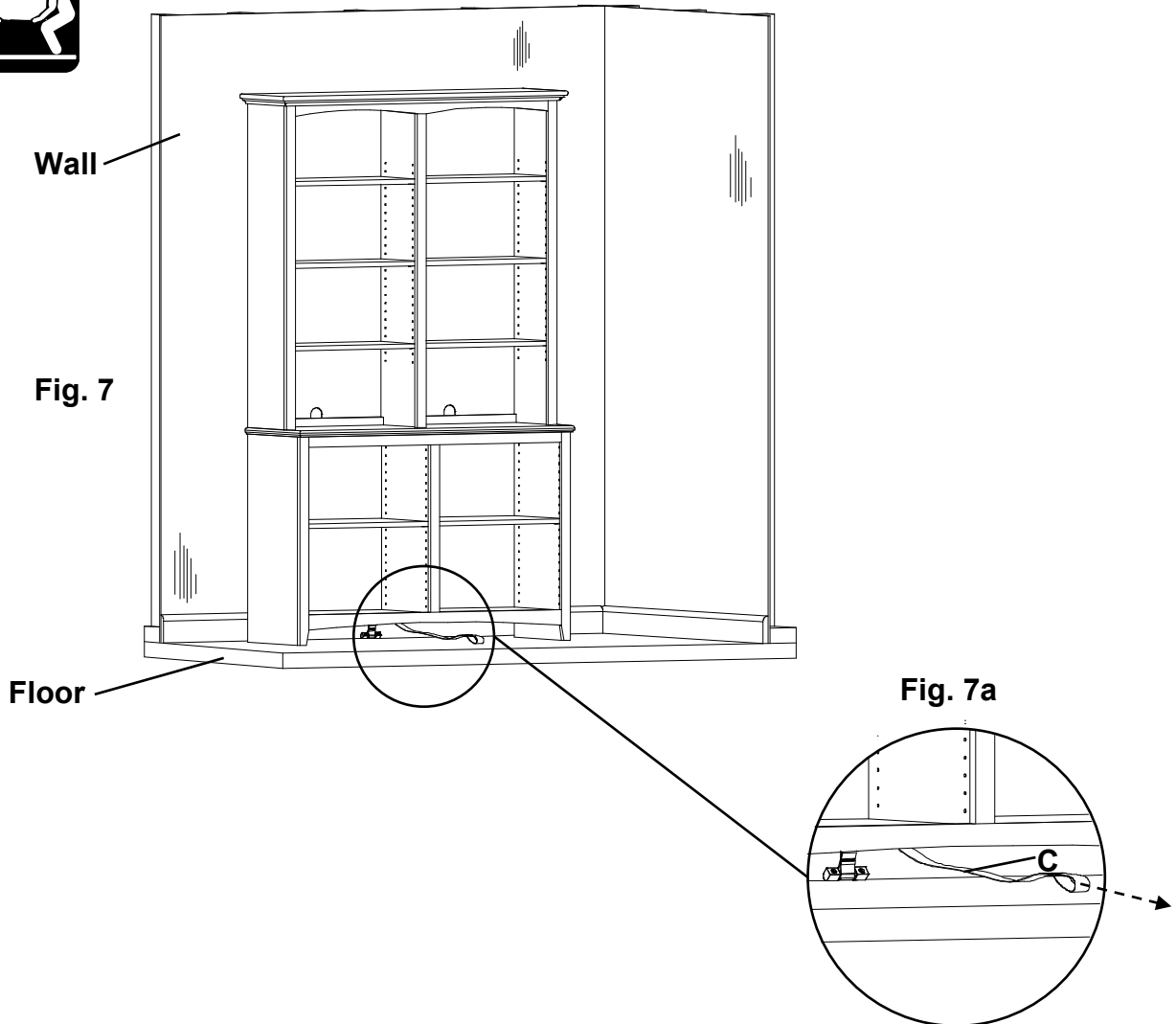
Assembly Instructions

- Decide where you want to place the bookcase in your room. Mark the baseboard with a pencil mark directly behind the location where the tipping restraint is attached to your item. Move the item away from the wall far enough to allow you to access the spot where the baseboard meets the floor. Position the straps and Plastic Bracket (B) as shown in Figures 6 and 6a with the angled corners of the Plastic Bracket (B) firmly placed against the seam of the baseboard and floor. Attach by driving #8 x 3" Pan Head Screws (D) through the holes in the Plastic Bracket (B) into the seam below the baseboard where it meets the floor. See Figures 6 and 6a.



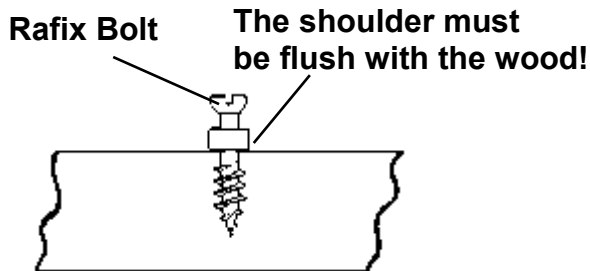
1614a; 1620a; 1626a & 1632a McKenzie Alder Hutch Assembly Instructions

7. Move the item back into position against the wall and reach underneath the bookcase to grasp the loop in the free end of the strap. Pull the free end of the strap until portion between the Cam Buckle (A) and the bottom of the item is tight. See Figures 7 and 7a. If you need to move the bookcase reach beneath and locate the buckle which connects the two sections of the strap and depress the release lever, then pull on the section of strap that is between the buckle and the bottom of the furniture until there is enough slack to allow you to pull the item away from the wall.

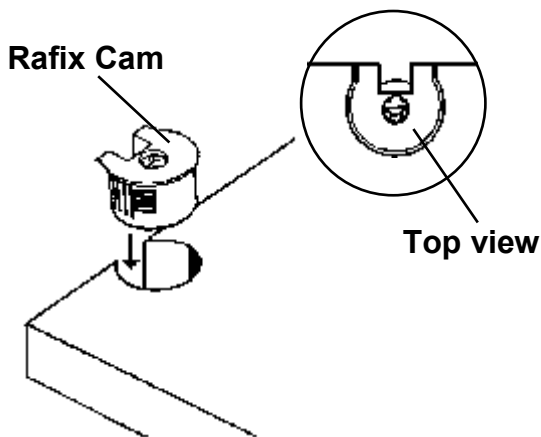


RAFIX ATTACHEMENT SYSTEM

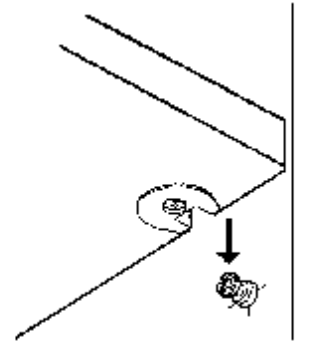
1. Insert the Rafx Bolt into the shelf so that the shoulder is flush with the surface of the wood.



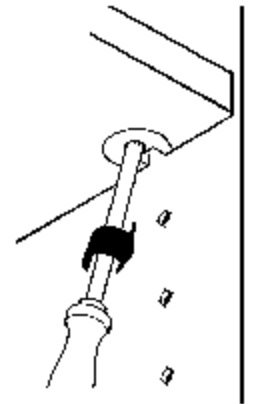
2. Tap a Rafx Cam into the appropriate hole so the notch faces the edge of the shelf. The flat edge of the cam must be parallel to the front edge of the shelf.



3. Slide the Rafx Cam over the Rafx Bolt.



4. Using a Phillips Screwdriver at a 25° angle, tighten the Cam about a half turn.



Position the screwdriver at a 25° angle.