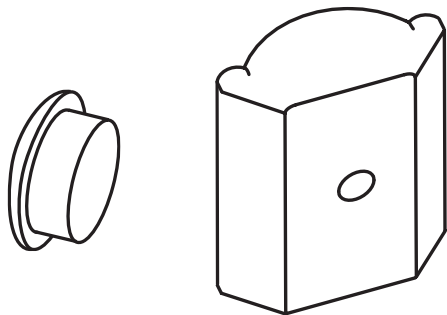


Create A Table

Model #

190Wa Double Pedestal Cap & Button Kit *Assembly Instructions*



This Cap and Button Kit is designed to be used with two pedestal bases. The Caps are used to fill in the aprons where the legs would normally be attached.

The Pedestals may use all four feet if tables would always be used with the leaves installed. If no leaves were installed, the center feet would collide.

If this is satisfactory, discard the buttons.

Congratulations!

*This fine piece of furniture will make a handsome addition to your home. For the best results, start by reading both the Assembly Instructions and Finishing Hints **before** you begin your project.*

**For normal household use only.
NOT recommended for commercial use.**



Do not climb or stand on this piece of furniture.

DESIGN SUBJECT TO CHANGE WITHOUT NOTICE.

**Whittier
Wood**[™]
FURNITURE

P.O. Box 2827
Eugene, OR 97402 USA



CALL US FIRST!
DO NOT RETURN ITEM TO STORE

Service Policy: We will replace any parts which are defective, missing or damaged during assembly. Please contact Whittier Wood Products customer service department directly (by phone, fax, mail or email) for replacement parts.

Hours: Our friendly customer service staff can be reached Monday-Friday 7:00 a.m. to 5:00 p.m. (Pacific Time). A message can be left 24 hours a day, 7 days a week.

To Order: Provide the complete furniture model number, part letter, production code, quantity needed, reason for replacement and your full name and address along with a telephone number in case we need to contact you.

Parts ship from our Eugene, Oregon factory within 1 or 2 business days from the time we receive the request. Please allow 5-10 business days for delivery.

800-653-3336

Outside U.S. or Canada: 541-687-0213

Fax: 541-687-2060 • www.whittierwood.com

Mail: P.O. Box 2827 • Eugene, Oregon 97402, U.S.A.

IMPORTANT NOTES:

- Read both the Assembly Instructions and Finishing Hints completely before beginning.
- Store the parts: 1) in their box; 2) in a dry place; 3) in temperatures ranging from 40° to 90°. (Not on a cold, possibly damp, cement floor.)
- Inspect your furniture periodically for any loose glue joints or screws, or any other problem which may be affecting the stability of your furniture. Tighten or repair as needed.

Production Code:

VN

Rev. 2/08

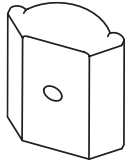
190Wa Double Pedestal Cap & Button Kit

INSTRUCTIONS

TOOLS REQUIRED: 9/16" or Adjustable Wrench, Wood Glue

Parts List

Before beginning assembly, check that the quantities of the parts received match those on the parts list below.



A — Apron Cap
— Qty. 4



B — 1/2" Wood Button
— Qty. 6



C — 5/16" Flat Washer
— Qty. 4



D — 3/8" x 2 1/2" Hex Bolt
— Qty. 4

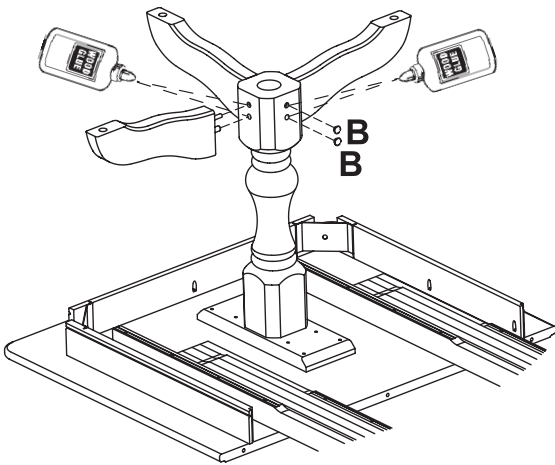


FIG. 1

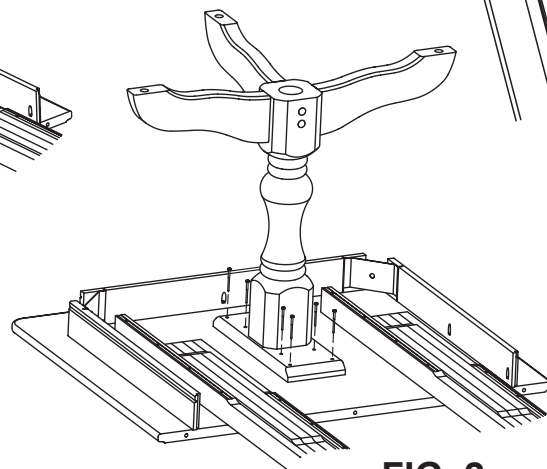


FIG. 2

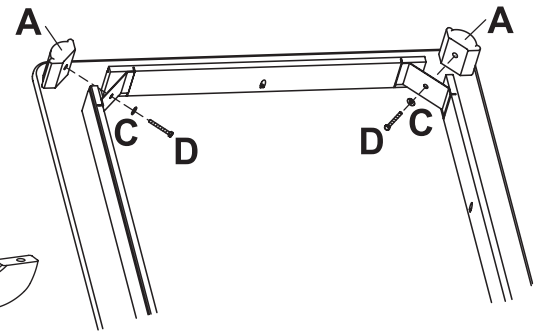


FIG. 3

- 1) Attach the Top Support to the Pedestal following the instructions provided with the Pedestal. Attach three of the four Feet to the Pedestal. The vacant location for the fourth foot should face the center of the table. Glue Wood Buttons (B), either two or three depending on the pedestal, into the exposed holes.
- 2) With the table top laying face down on a clean protected surface, place the Top Support on each pedestal on the table top approximately centered on each end. Each Top Support should have the long edge without the foot facing the center of the table. Use the hardware and instructions provided with the pedestal base to attach the pedestal assemblies.
- 3) Attach an Apron Cap (A) in each corner of the apron using a 3/8" x 2 1/2" Hex Bolt (D) with a 5/16" Flat Washer (C) through the leg brackets into the inserts in the Apron Caps.

NOTE: These Apron Caps are designed for use with 3 1/2" Aprons. If the aprons on your table are 3 13/16", please contact Customer Service for assistance at **1-800-653-3336**.