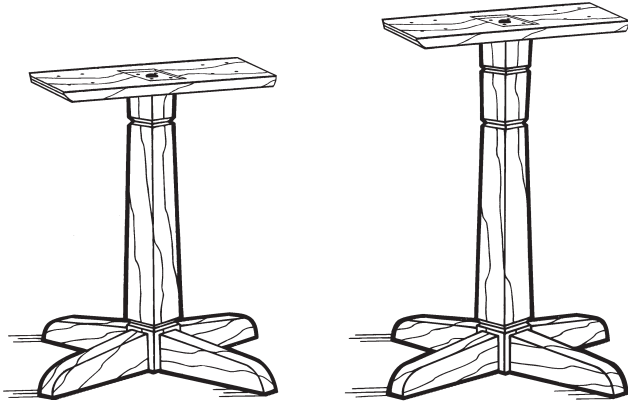




# 196W Rainier Counter/Pub Extension Kit



**BASE & TOP SOLD  
SEPARATELY**

### **Congratulations!**

*This fine piece of furniture will make a handsome addition to your home. For the best results, start by reading both the Assembly Instructions and Finishing Hints before you begin your project.*

**For normal household use only.  
NOT recommended for commercial use.**

**DESIGN SUBJECT TO CHANGE WITHOUT NOTICE.**



## **CALL US FIRST! DO NOT RETURN ITEM TO STORE**

**Service Policy:** We will replace any parts which are defective, missing or damaged during assembly. Please contact Whittier Wood Products customer service department directly (by phone, fax, mail or email) for replacement parts.

**Hours:** Our friendly customer service staff can be reached Monday-Friday 7:00 a.m. to 5:00 p.m. (Pacific Time). A message can be left 24 hours a day, 7 days a week.

**To Order:** Provide the complete furniture model number (upper left corner of this page), part letter, production code, quantity needed, reason for replacement and your full name and address along with a telephone number in case we need to contact you.

*Parts ship from our Eugene, Oregon factory within 1 or 2 business days from the time we receive the request. Please allow 5-10 business days for delivery.*

**800-653-3336**

Outside U.S. or Canada: 541-687-0213

Fax: 541-687-2060 • Email: [info@whittierwood.com](mailto:info@whittierwood.com)  
Mail: P.O. Box 2827 • Eugene, Oregon 97402, U.S.A.

### **IMPORTANT NOTES:**

- Read both the Assembly Instructions and Finishing Hints completely before beginning. (*Finishing Hints enclosed with base instructions.*)
- Store the parts: 1) in their box; 2) in a dry place; 3) in temperatures ranging from 40° to 90°. (Not on a cold, possibly damp, cement floor.)
- Inspect your furniture periodically for any loose glue joints or screws, or any other problem which may be affecting the stability of your furniture. Tighten or repair as needed.

Production Code: \_\_\_\_\_



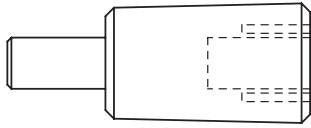
P.O. Box 2827  
Eugene, OR 97402 USA

Rev. 10/05

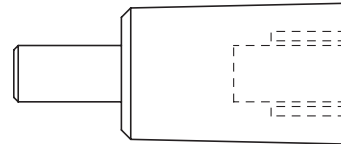
# 196W Rainier Counter/Pub Extension Kit

## TOOLS REQUIRED:

Wood Glue, Rubber Mallet or Padded Hammer



**A — Small  
Pedestal Extension — Qty. 1**



**B — Large  
Pedestal Extension — Qty. 1**

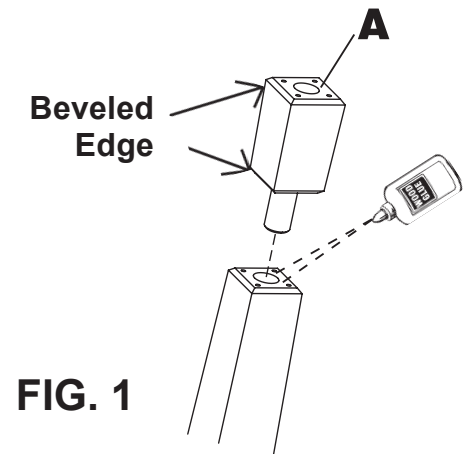
*This kit contains a Small Pedestal Extension and a Large Pedestal Extension to be used with the 195W Rainier Pedestal Base.*

Using only the **Small Pedestal Extension (A)** with the Rainier Pedestal will raise the Table Top to **counter height**.

Using both the **Small and Large Pedestal Extensions (A & B)** with the pedestal will raise the Table Top to **Pub Table height**.

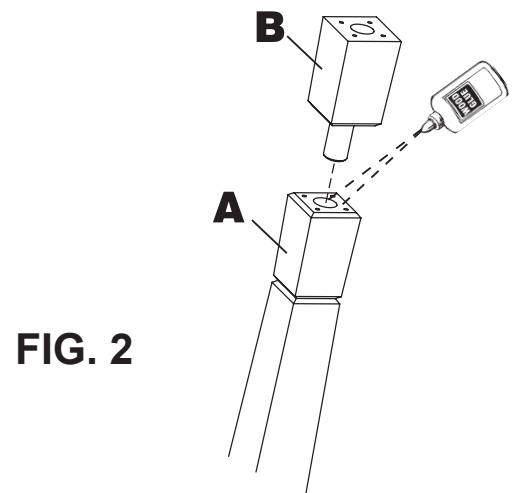
## FOR COUNTER HEIGHT

- 1) Spread a thin film of glue on the top and in the large hole in the top of the pedestal. **THOROUGH GLUING OF THE EXTENSION TO THE PEDESTAL IS CRITICAL.** Insert the doweled end of the Small Pedestal Extension (A) into the top of the pedestal. Tap into place with a mallet or padded hammer. Make sure that the sides of the pedestal are flush with the sides of the Extension and that Extension is tight against the pedestal. To attach the top support, plug, and table top, follow the instructions contained in the 195w Rainier Pedestal instructions and use the hardware in the pedestal kit.



## FOR PUB TABLE HEIGHT

- 2) Spread a thin film of glue on the top and in the large hole in the top of the pedestal. **THOROUGH GLUING OF THE EXTENSION TO THE PEDESTAL IS CRITICAL.** Insert the doweled end of the Small Pedestal Extension (A) into the top of the pedestal. Tap in place with a mallet or padded hammer. The sides of the pedestal and the extension must be flush and the two pieces snug against each other. Glue the Large Pedestal Extension (B) onto the Small Pedestal Extension in the same way. To attach the top support, plug, and table top, follow the instructions contained in the 195w Rainier Pedestal instructions and use the hardware in the pedestal kit. **THOROUGH GLUING OF THE EXTENSIONS IS ABSOLUTELY NECESSARY.**



*See the 195w Rainier Pedestal instructions for attaching the top support, plug, and table top.  
Use the hardware provided with the pedestal kit.*