

# Addison Panel Beds

**DUET = Natural finish**  
*Assembly Instructions*

Model #

**2006DUET**

**Addison Full Panel Bed**

**2010DUET**

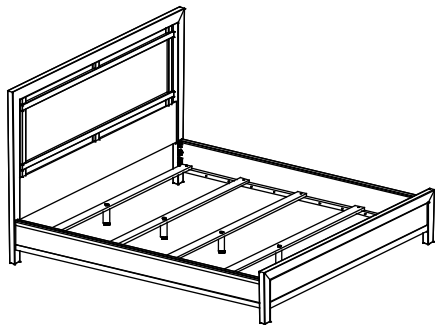
**Addison Queen Panel Bed**

**2013DUET**

**Addison King Panel Bed**

**2015DUET**

**Addison Cal-King Panel Bed**



*Thank you for allowing us to help you furnish your home. We are certain you will be delighted with your new furniture for many years to come.*

## IMPORTANT NOTES:

- For normal household use only. *Not* recommended for commercial use.
- Remove items before you move this unit.
- This assembly requires two people.

### **WARNING**

Drilling, sawing, sanding or machining wood products can expose you to wood dust, a substance known to the state of California to cause cancer. Avoid inhaling wood dust or use a dust mask or other safeguards for personal protection.

For more information go to: [www.p65warnings.ca.gov/wood](http://www.p65warnings.ca.gov/wood)

This product can expose you to chemicals, including formaldehyde, which are known to the State of California to cause cancer.

For more information go to: [www.p65warnings.ca.gov/furniture](http://www.p65warnings.ca.gov/furniture)

**DESIGN SUBJECT TO CHANGE WITHOUT NOTICE.**

## CUSTOMER SERVICE

If you ever have questions about your furniture, please do not hesitate to contact us. In the unlikely event you need a replacement part; we can make those parts available through an authorized Whittier Wood Furniture dealer. If you cannot order replacement parts through your dealer, please contact our customer service department.

**Hours:** Our friendly customer service staff can be reached:

**Monday-Friday 8:00 a.m. to 5:00 p.m. (Pacific Time).**

You may leave a message 24 hours a day, seven days a week.

**Customer Service:** 800-653-3336 • **Outside the U.S.:** 541-687-0213

**Fax:** 541-687-2060 • **Email:** [info@whittierwood.com](mailto:info@whittierwood.com)

**Whittier**  
**Wood**  
**FURNITURE**

P.O. Box 2827  
Eugene, OR 97402 USA

Production Code:

VN




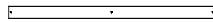
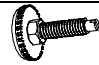
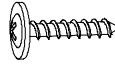

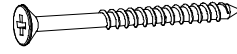


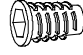


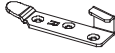
12/17

**2006 Addison Full Panel Bed**  
**2010DUET Addison Queen Panel Bed**  
**2013DUET Addison King Panel Bed**  
**2015 Addison Cal-King Panel Bed**  
*Parts List*

**Please note this Assembly Instruction is for all four beds. Please identify the bed part number when ordering parts.**

Please identify the parts and check that the quantities received match those on this list. If you need to replace a part, refer to the model number, part letter and name.


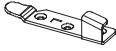

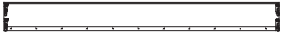

**2007DUET Full Panel Headboard/Footboard Kit (x1)**  
**2011DUET Queen Panel Headboard/Footboard Kit (x1)**  
**2014DUET King Panel Headboard/Footboard Kit (x1)**  
**2016DUET Cal-King Panel Headboard/Footboard Kit (x1)**

Part	Description	Quantity
A	Headboard Assembly 	1
B	Footboard Assembly 	1
C	Assembled Foot 	4
D	Slat 	5
E	Adjustable Glide with Hex Nut (installed) 	4
F	#8 x 7/8" Black Lo-Profile Screw (inserted) 	9
G	#8 x 1-1/4" Black Screw 	10
H	#8 x 2" Black Screw (inserted) 	4
I	#8 x 1" Black Screw (inserted) 	24
J	1/4" T-Nut (inserted) 	5
K	5/16" x 3/4" Insert Nut (inserted) 	4
L	1/4" x 45mm Hanger Bolt (inserted) 	4
M	Small Left Bed Bracket (attached) 	4
N	Small Right Bed Bracket (attached) 	4

**2006 Addison Full Panel Bed**  
**2010DUET Addison Queen Panel Bed**  
**2013DUET Addison King Panel Bed**  
**2015 Addison Cal-King Panel Bed**  
*Parts List*

---

**2008DUET Full Panel Rail Kit (x1)**  
**2012DUET Queen/King Panel Rail Kit (x1)**  
**2017DUET Cal-King Panel Rail Kit (x1)**

Part	Description	Quantity	
		2008DUET	2012DUET & 2017DUET
H	#8 x 2" Black Screw (inserted) 	20	22
M	Small Left Bed Bracket (attached) 	4	4
N	Small Right Bed Bracket (attached) 	4	4
O	Side Rail 	2	2
P	#8 x 5/8" Flat Head Screw (inserted) 	24	24

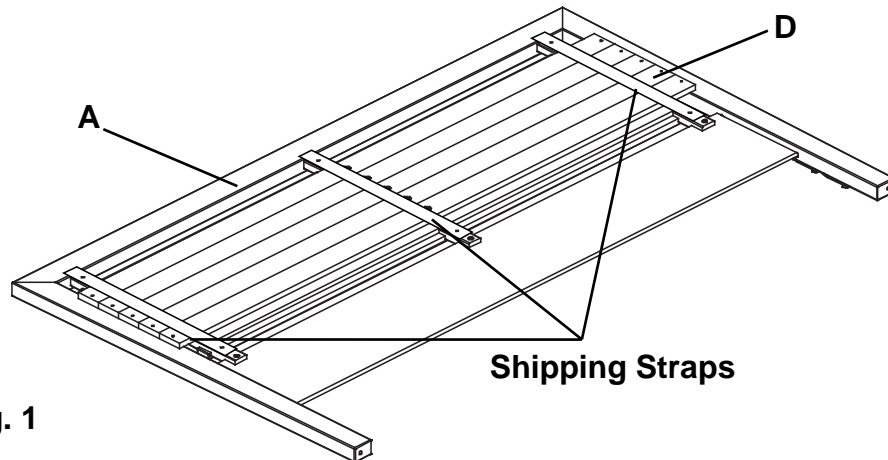
2006 Addison Full Panel Bed  
2010DUET Addison Queen Panel Bed  
2013DUET Addison King Panel Bed  
2015 Addison Cal-King Panel Bed

*Assembly Instructions*

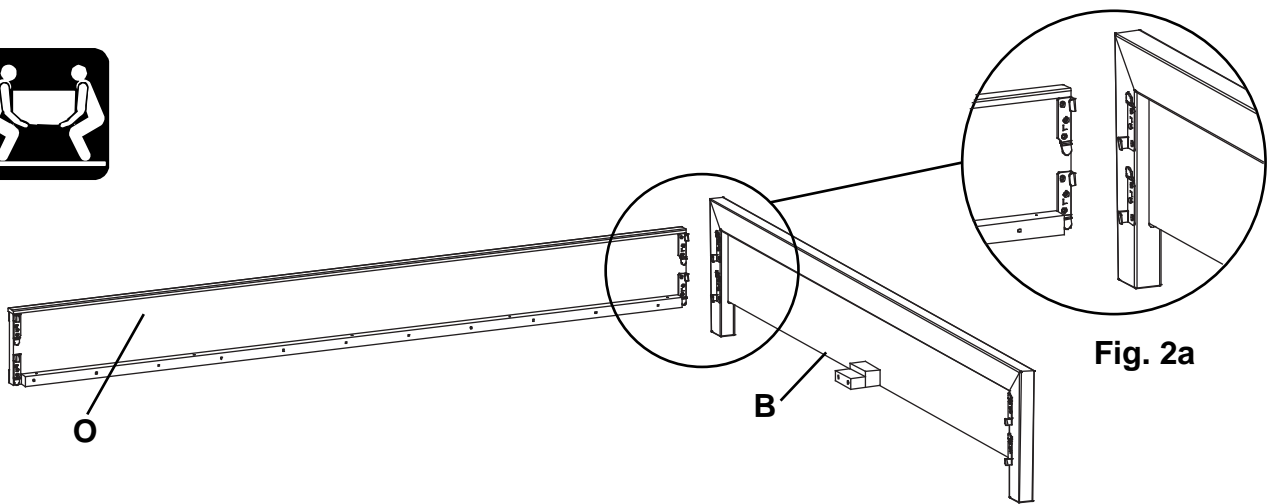
This assembly requires two people.

**Tools Required: Phillips screwdriver**

1. Remove the Slats (D) from the back of the Headboard (A) and place them off to the side. See Figure 1.



2. To attach the Footboard (B) to the Side Rail (O), align the Brackets and slide the Side Rail (O) down on to the Footboard (B). See Figures 2 and 2a.



2006 Addison Full Panel Bed  
2010DUET Addison Queen Panel Bed  
2013DUET Addison King Panel Bed  
2015 Addison Cal-King Panel Bed

*Assembly Instructions*

This assembly requires two people.

3. Repeat step two for the other side. See Figures 3 and 3a.

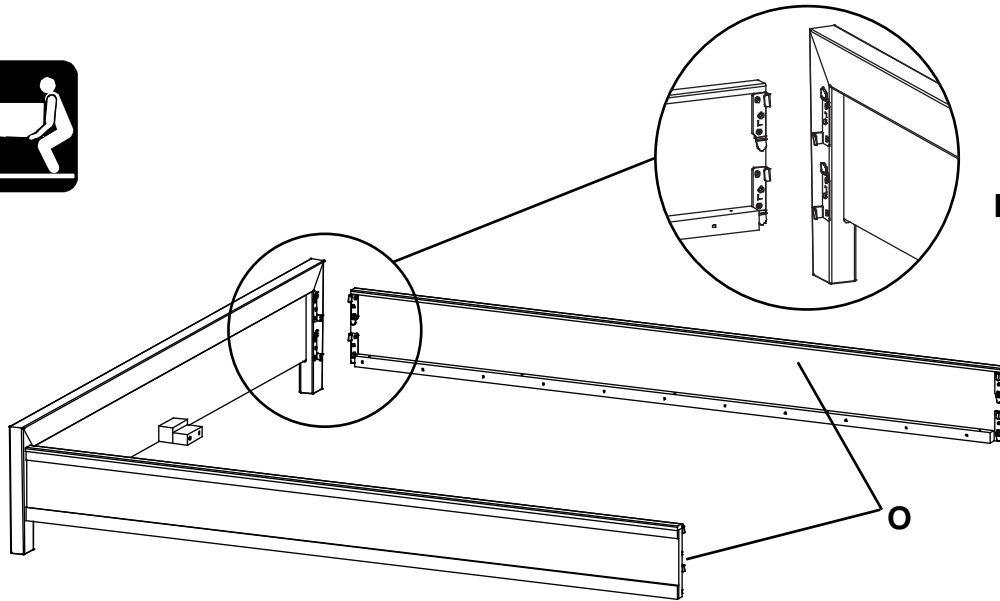


Fig. 3a

Fig. 3

4. Align the Brackets on both sides and slide the Side Rail/Footboard assembly down on to the Headboard (A). See Figure 4.

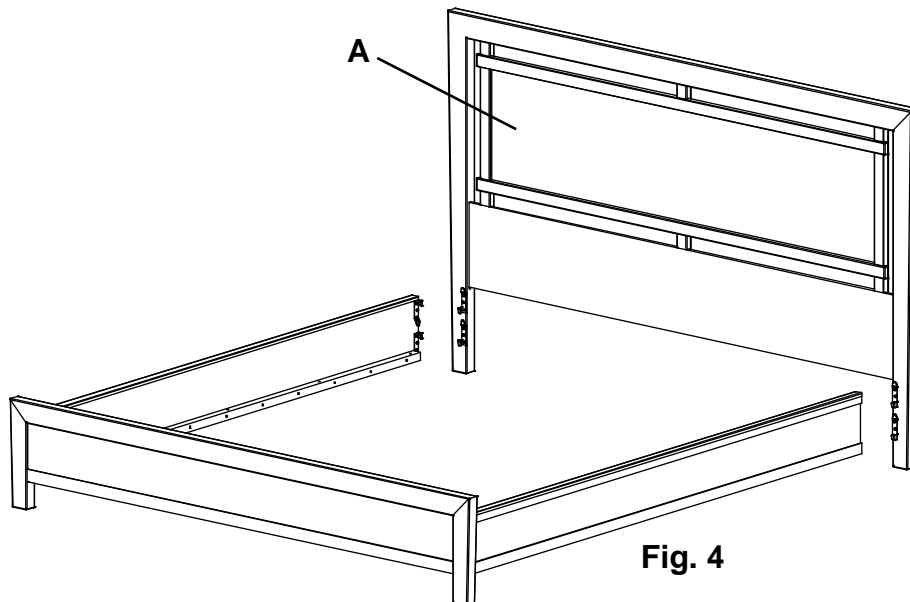


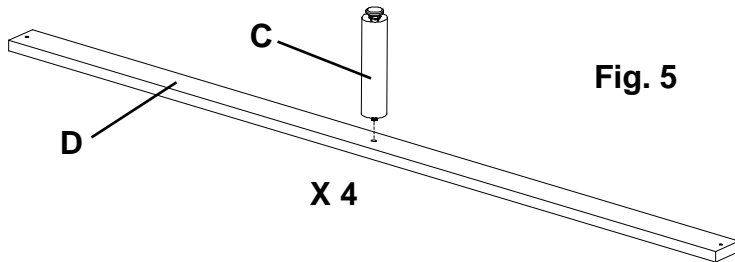
Fig. 4

**2006 Addison Full Panel Bed**  
**2010DUET Addison Queen Panel Bed**  
**2013DUET Addison King Panel Bed**  
**2015 Addison Cal-King Panel Bed**

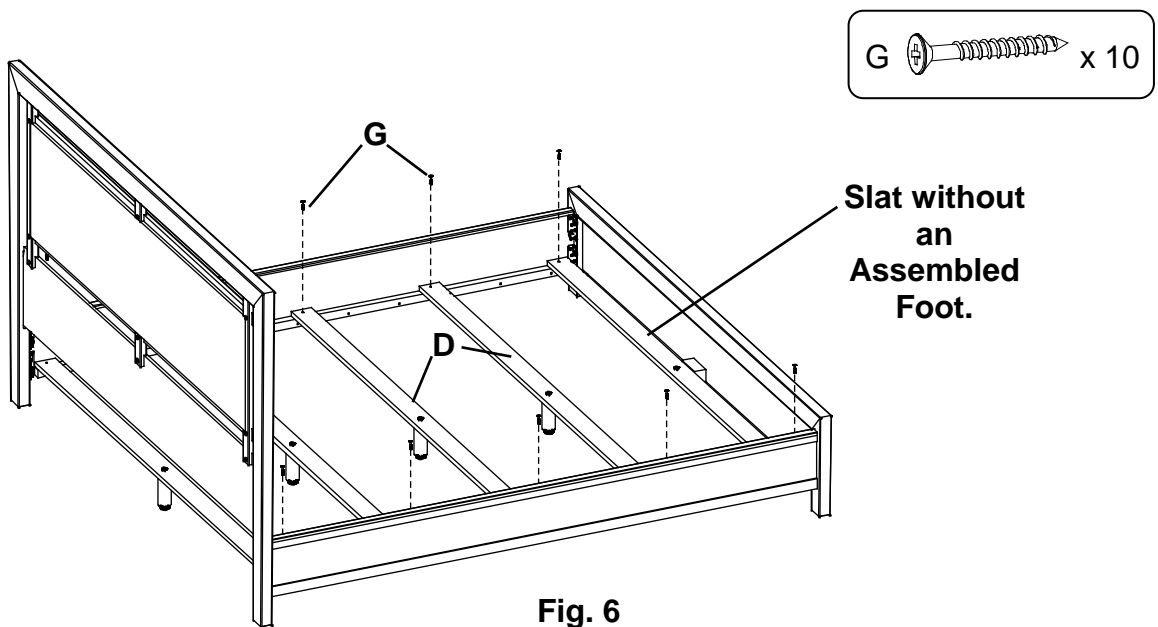
*Assembly Instructions*

This assembly requires two people.

5. Attach an Assembled Foot (C) to four of the five Slats (D) as shown in Figure 5.



6. Move the bed assembly to its final position. Position the Slats (D) on the bottom edges of the rails and place the slat without the Assembled Foot nearest to the Footboard. Attach with #8 x 1-1/4" Black Screws (G). See Figure 6.



7. Adjust the Adjustable Glides with Hex Nut (E) on the Assembled Feet (C) so the Glides (E) touch the floor, making sure the Assembled Feet bear weight.

