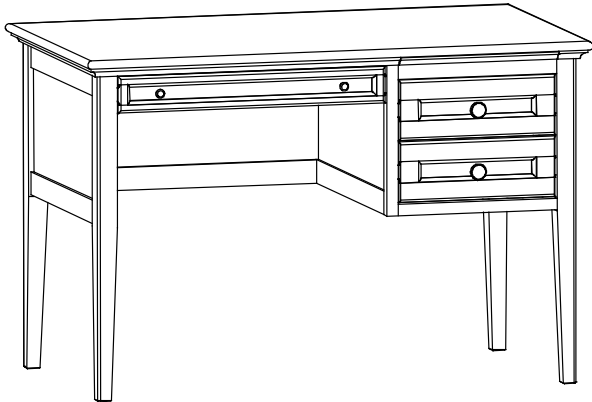


Model #

# 2400AUFd McKenzie 3-Drawer Desk

*Assembly Instructions*



*Thank you for allowing us to help you furnish your home. We are certain you will be delighted with your new furniture for many years to come.*

## IMPORTANT NOTES:

- For normal household use only. *Not* recommended for commercial use.
- Do not climb, sit or stand on this piece of furniture.
- Use a protective pad when you use the top of this piece as a writing surface.
- Do not overload the drawers.
- Unload items before you move this unit.
- Before you begin your project, completely read the Assembly Instructions and Finishing Hints.
- This assembly requires two people.

## WARNING

Drilling, sawing, sanding or machining wood products can expose you to wood dust, a substance known to the state of California to cause cancer. Avoid inhaling wood dust or use a dust mask or other safeguards for personal protection.

For more information go to: [www.p65warnings.ca.gov/wood](http://www.p65warnings.ca.gov/wood)

This product can expose you to chemicals, including formaldehyde, which are known to the State of California to cause cancer.

For more information go to: [www.p65warnings.ca.gov/furniture](http://www.p65warnings.ca.gov/furniture)

**DESIGN SUBJECT TO CHANGE WITHOUT NOTICE.**

## CUSTOMER SERVICE

If you ever have questions about your furniture, please do not hesitate to contact us. In the unlikely event you need a replacement part; we can make those parts available through an authorized Whittier Wood Furniture dealer. If you cannot order replacement parts through your dealer, please contact our customer service department.

**Hours:** Our friendly customer service staff can be reached:

**Monday-Friday 8:00 a.m. to 5:00 p.m. (Pacific Time).**

You may leave a message 24 hours a day, seven days a week.

**Customer Service:** 800-653-3336 • **Outside the U.S.:** 541-687-0213

**Fax:** 541-687-2060 • **Email:** [info@whittierwood.com](mailto:info@whittierwood.com)

**Whittier  
Wood**  
FURNITURE

P.O. Box 2827  
Eugene, OR 97402 USA

Production Code:

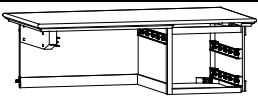

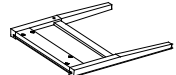
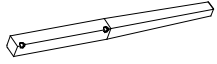

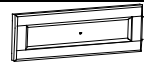
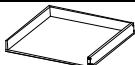

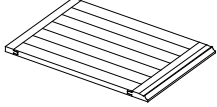



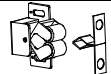

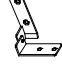




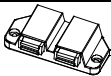
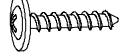
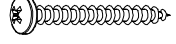
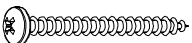
VN

05/17

## 2400AUFd McKenzie 3-Drawer Desk


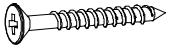
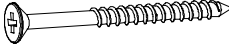








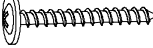
### Parts List

Please identify the parts and check that quantities received match those on this list.  
If you need to replace a part, refer to the following letter and part name.

Part	Description		Quantity
Ac	Case Assembly		1
B	Top Assembly (attached)		1
C	Left Side Assembly		1
D	Leg		2
E	Drawer (inserted)		2
F	Drawer Face (installed)		2
G	Keyboard Tray Box (inserted)		1
H	Keyboard Tray Face (installed)		1
Ic	Pull-out (installed)		1
J	20" Drawer Slides (pre-installed set)		3
K	#6 x 3/4" Philtruss Screw (inserted)		18
L	#6 x 1/2" Philtruss Screw (inserted)		18
M	Roller Catch Kit (pre-installed set)		1
N	Left Keyboard Hinge (attached)		1
O	Right Keyboard Hinge (attached)		1
Q	Knob (attached)		2
Rd	#8 x 1-1/2" Machine Screw Tuscan (installed)		2
S	Small Knob (attached)		2
T	4 x 35mm Machine Screw (installed)		2
Ub	Twin Push Latch (attached)		1
Vd	#8 x 7/8" Black Lo-Profile Screw (inserted)		8
W	#8 x 1-1/4" Pan Head Screw (inserted)		34
X	#8 x 1-3/4" Pan Head Screw (inserted)		14 (13 inserted)

## 2400AUFd McKenzie 3-Drawer Desk

### Parts List

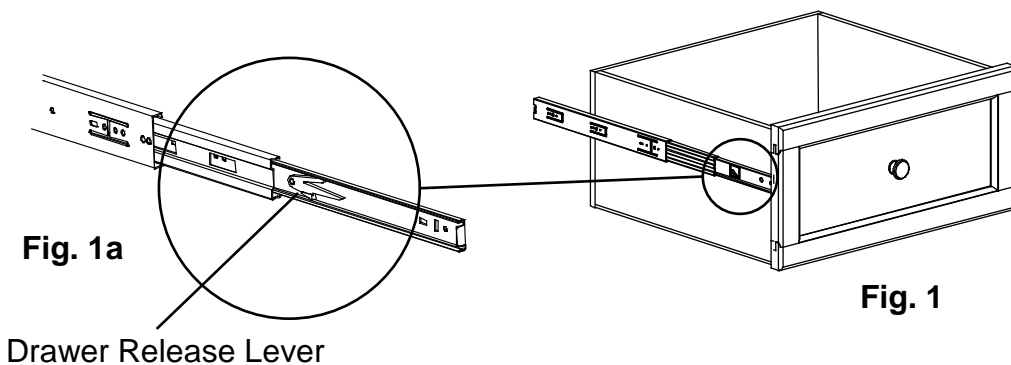
Part	Description	Quantity
Y	#12 x 2-1/2" Pan Head Screw (inserted) 	5
ZA	#8 x 1-1/4" Black Screw (inserted) 	13
ZB	#8 x 2" Black Screw (inserted) 	2
ZC	Wood Dowel (inserted) 	1
ZD	3/8" x 1" Insert Nut (inserted) 	8
ZE	5/16" Flat Washer 	8
ZF	3/8" x 2-1/2" Hex Bolt 	8
ZG	Adjustable Glide (installed) 	4
ZI	#6 x 1/2" Undercut Screw (inserted) 	8
ZJ	3mm x 12mm Pan Head Screw (inserted) 	2
ZK	1/4" x 20mm Insert Nut (inserted) 	4
ZL	#8 x 1-3/8" Lo-Profile Screw (inserted) 	3

# 2400AUFd McKenzie 3-Drawer Desk

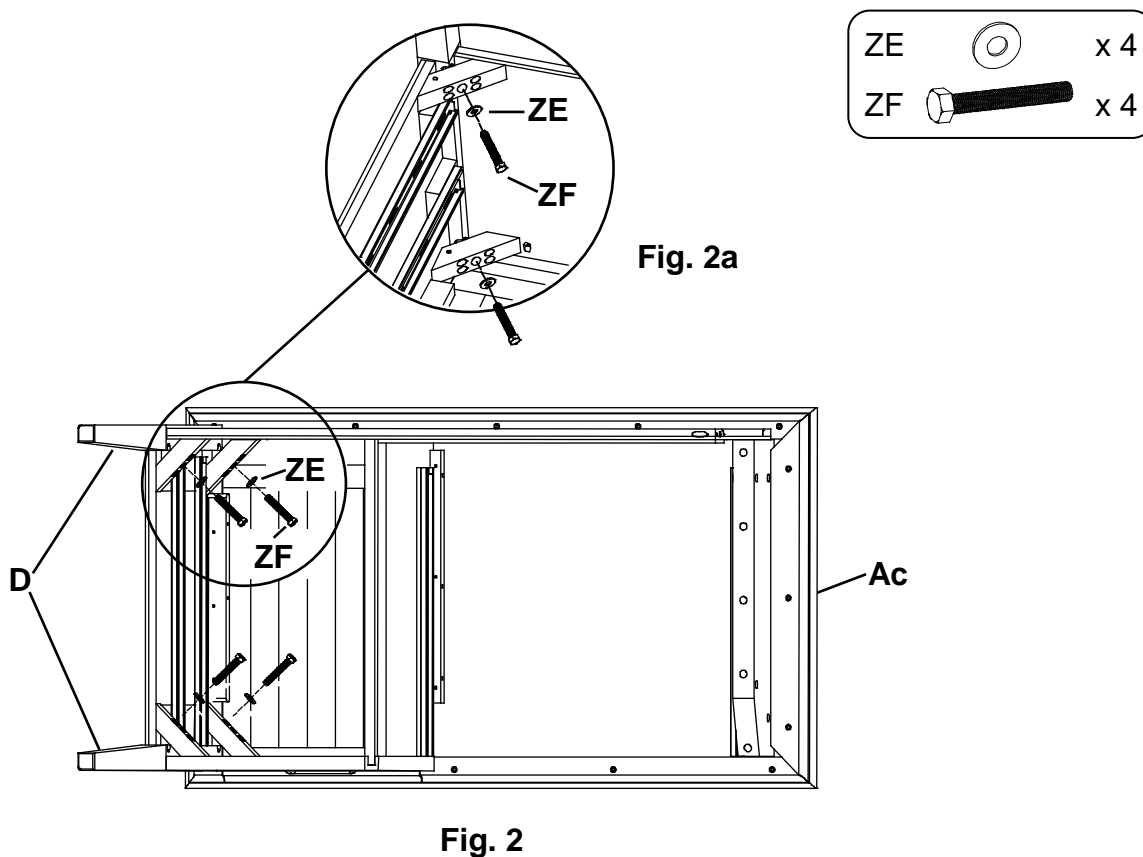
## Assembly Instructions

**Tool Required: Phillips Screwdriver, 9/16" or Adjustable Wrench, Mallet or Padded Hammer**

1. Remove the drawers from the Case Assembly (Ac). To do that, pull up on the left Drawer Release Lever while pushing down on the right Drawer Release Lever and pull out the drawer. See Figure 1a. Note where each drawer came from to make sure you place them back into their correct positions.

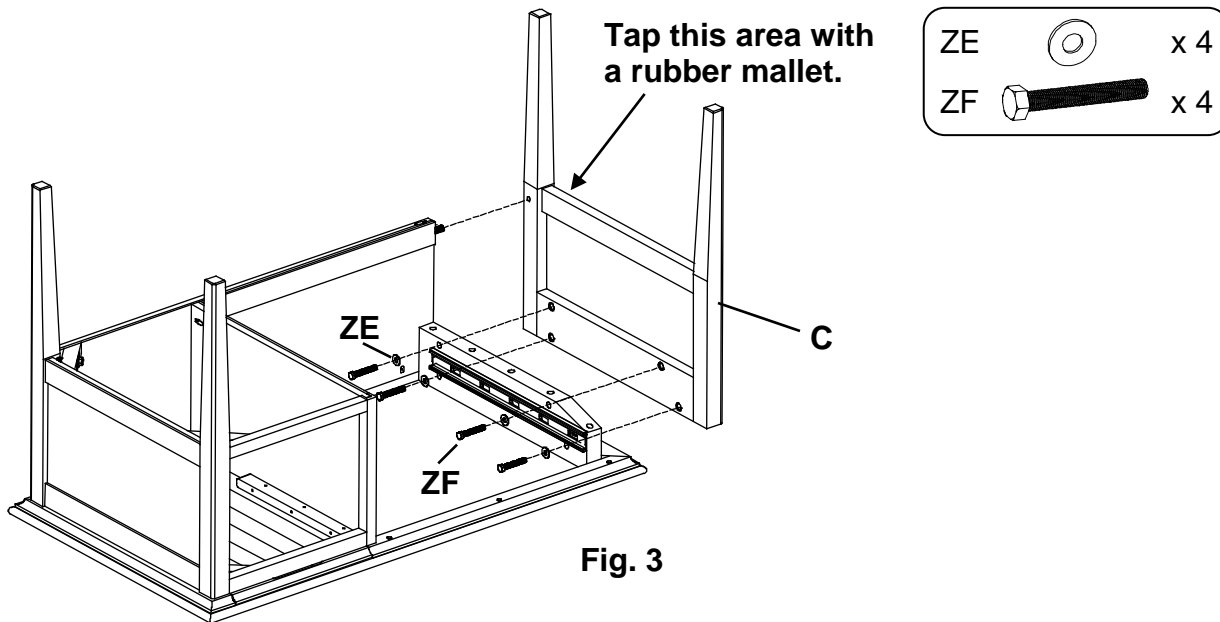


2. Turn the Case Assembly (Ac) upside-down on a clean protected surface. Be careful not to engage the touch-latch on the pull-out writing/working surface. Place a Leg (D) into the right front and back corners, making sure the drilled portions of the legs face the corner blocks. Insert four 3/8" x 2-1/2" Hex Bolts (ZF) with four 5/16" Flat Washers (ZE) through the corner blocks and into the Legs (D). Fasten securely. See Figures 2 and 2a.

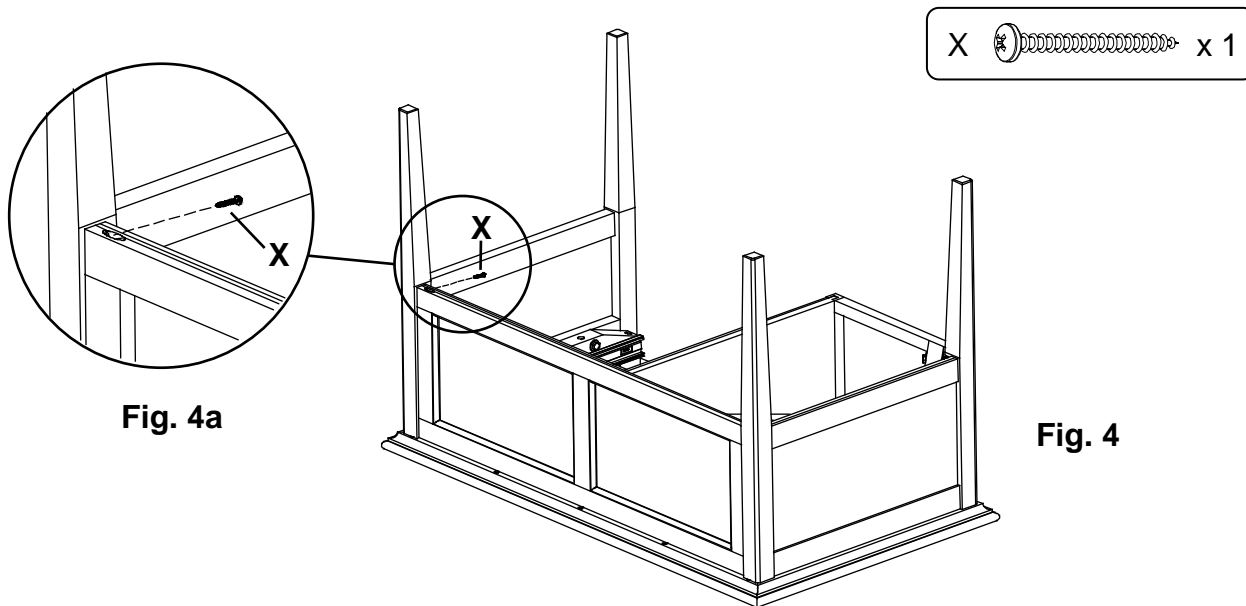


## 2400AUFd McKenzie 3-Drawer Desk Assembly Instructions

3. Attach the Left Side Assembly (C) to the drawer side of the case assembly with four 3/8"x 2-1/2" Hex Bolts (ZF) and four 5/16" Flat Washers (ZE). Fasten securely. Make sure the dowel is correctly seated in place by tapping the Left Side Assembly with a rubber mallet. See Figure 3.



4. Using the pocket drilled hole as a guide, secure the back leg of the Left Side Assembly to the case assembly with one #8 x 1-3/4" Pan Head Screw. See Figures 4 and 4a.

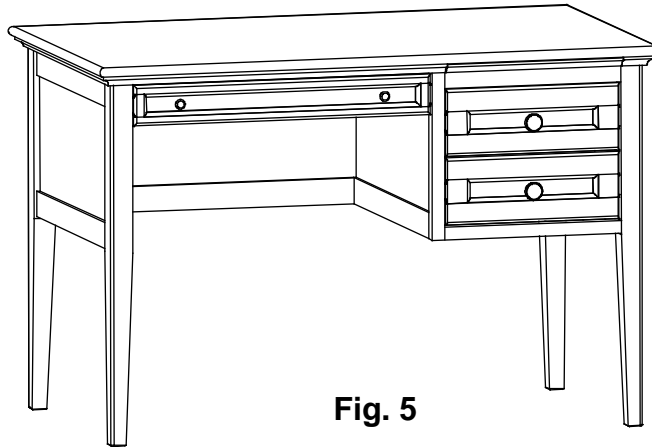


# 2400AUFd McKenzie 3-Drawer Desk

## Assembly Instructions

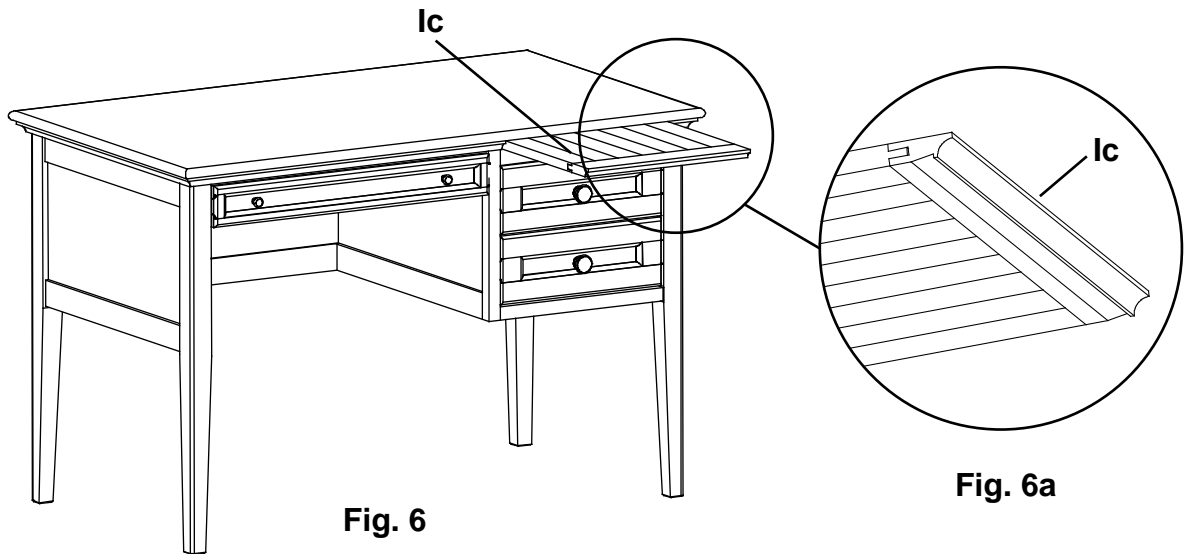
---

5. Turn the table upright and insert the Drawers.



**Fig. 5**

6. This desk features a Pull-out (Ic) that is above the two drawers on the right side. To access this feature, push firmly on the end of the pull-out. This releases the Push Lock. Grab on to the underside hand groove and gently pull. See Figures 6 and 6a.



**Fig. 6**

**Fig. 6a**

## 2400AUFd McKenzie 3-Drawer Desk

### Assembly Instructions

---

- The center drawer (G) can be used as a keyboard tray or utility drawer. To use it as a keyboard tray, open the drawer and pull down on the front. This unlocks the roller catches. To lock it back into place, push up on the drawer front. See Figure 7. The shortened drawer back allows easy cord access.

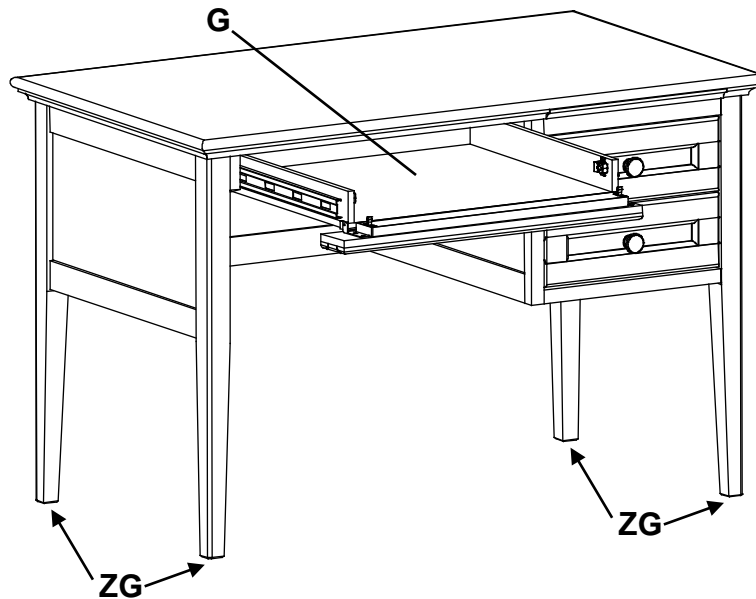


Fig. 7



- Place the desk at its final destination. To level the unit, rotate the Adjustable Glides (ZG) found on the bottoms of the legs. See Figure 7.
- Use a protective pad when you use the top of this piece as a writing surface.

# Whittier Finishing Hints

## Checklist of materials

- |   |  |  |
|---|--|--|
| <input type="checkbox"/> Rubber gloves  | <input type="checkbox"/> Tack cloth                            | <input type="checkbox"/> #220 & #320 sandpaper |
| <input type="checkbox"/> Lint-free rags | <input type="checkbox"/> Drop cloth                            | <input type="checkbox"/> Painter's tape        |
| <input type="checkbox"/> Paper towels   | <input type="checkbox"/> Stain brushes (poly bristle and foam) | <input type="checkbox"/> Wood glue             |
| <input type="checkbox"/> Cotton swabs   |  | <input type="checkbox"/> Dust mask             |

**CAUTION:** If you have environmental or chemical sensitivities, please take the necessary precautions and use personal protective equipment to aid in limiting your exposure. Personal protective equipment may include but are not limited to gloves, dust masks or respirators.

**NOTICE TO CALIFORNIA CUSTOMERS:** California Prop 65 requires consumer goods to be labeled if any one of 850+ different chemicals or substances, including wood dust, is present, even in trace amounts. Drilling, sawing, sanding or machining wood products generates wood dust, a substance known to the State of California to cause cancer. **Warning:** This product contains a chemical or substance known to the State of California to cause cancer, birth defects or other reproductive harm. California Health and Safety Code Section 25249.6

## Getting started

*Assembly Instructions may contain special finishing information or gluing requirements for that item.*

Completely read both the Assembly Instructions and these Finishing Hints before you begin your project.

**Choosing the finish:** Ask your retailer for advice on how to finish bare wood. Choose a finish that meets your expectations for the end use of the product. Will you use it as a work surface as on a desk or kitchen island? Are you matching a finish on existing furniture? The answers to these questions may affect the type of finish you choose.

**Where to work:** Choose an area that has good light and is well ventilated, warm and dry. If the work area is cold and damp, the wood finishing products may require a longer drying time than the labels indicate. Do not work in a dirty or dusty area – dirt and/or dust can embed in the finish.

## Gluing hints

These are general hints. Refer to the Assembly Instructions for detailed information on how to glue your specific product. Use wood glue such as Elmer's Wood Glue, Titebond Wood Glue or the equivalent. Some

instructions call for a slow drying glue. Carefully read the label and instructions of the glue manufacturer. Your unit may not need glue.

1. We strongly recommend that you lay out all the parts and familiarize yourself with how they fit together before assembling with glue. Glue will set up quickly. You can damage parts if you try to reposition any that have been assembled incorrectly.
2. For glue to properly bond, it is very important to apply the wood glue to bare wood. Protect your eyes and blow into holes to clear excess dust. This will help the glue to adhere to a clean surface.
3. If you plan on finishing the product before you assemble it, place painter's tape three-fourths of the way up from the end of a dowel, spindle or tenon. This protects the ends from the finishing product but allows finish application where it will be visible. Finishing products inhibit the bonding properties of wood glue. Remove the tape prior to the final assembly.
4. Avoid getting glue on surfaces to be finished. Most stains or finishes will not penetrate where glue has been spilled. Wet glue can be wiped off with a damp cloth. Follow with a light sanding of the area to ensure a proper finish.
5. It is important to apply an even coat inside holes and slots. Use a small dowel, pencil or cotton swab to spread glue evenly around the inside of the holes. Do not over glue. The tight fit of the spindles or dowels in the holes can cause glue to be pushed to the bottom of the hole. If too much glue is used it will fill the holes and not allow the spindle or dowel to be fully inserted.
6. Glue usually takes several hours to cure or harden but it will set up or grab in several seconds. Once you begin final assembly, proceed quickly.

## Finishing hints

1. Use products of the same brand to ensure compatibility. It is not recommended to mix solvent based and water based finishes. *Always read and follow all label directions on the can.*
2. Alder is a porous hardwood and often looks best when following the finishing instructions for softwoods.
3. Use a wood conditioner under oil base stains.



P.O. Box 2827  
Eugene, OR 97402 USA  
Toll Free: 800-653-3336  
Ph: 541-687-0213  
Fax: 541-687-2060  
www.whittierwood.com



## Preparing the surface

1. Sand each piece with #220 grit sandpaper. Sand with the grain of the wood on flat surfaces and opposite the grain on turnings. Some parts may be plywood. Be careful not to sand through the veneer. End grain such as table top ends, seat edges and grooves on turnings accept more stain. Extra sanding in these areas with #320 grit sandpaper reduces stain absorption and creates a more evenly stained piece.
2. When sanding is completed, wipe the surface of your furniture with a lint-free rag or tack cloth. Make sure the item is free of dust before you proceed.

## Staining

1. *Always read and follow all label directions.* Stir the stain well before you start. Stir periodically throughout the duration of the project to maintain uniform color consistency.
2. Test stain on an inconspicuous spot on your project. Put at least one coat of your top coat over the test area as it also affects the look of the stain. *Test every type of wood that is in your kit. These are identified in the Assembly Instructions.* Different types of wood may react differently to the stain color. You might need to add a second coat of stain to lighter woods to match the darker woods in your kit.
3. Apply stain with a poly brush or lint-free cloth. Apply stain over a small area and wipe off excess. Working in small areas will make the color easier to control.
4. Cotton swabs are ideal for hard to reach areas.
5. Allow the stain to dry thoroughly before you proceed.

## Applying the top coat

1. *Always read and follow all label directions.* Stir your top coat gently; do not shake. Shaking the can creates bubbles that are hard to remove.
2. All surfaces including the underside of table tops and inside drawers must be sealed with at least one layer of a top coat. This will help minimize wood swelling, shrinkage, warping and cupping due to changes in moisture content or temperature.
3. Apply a minimum of two coats when you use polyurethane or varnish (especially on all table top and work surfaces). After allowing the first coat to dry, sand lightly with #320 grit sandpaper. Remove dust with a lint-free rag or tack cloth. For added protection,

apply additional coats. Lightly sand and wipe surface with a lint-free rag or tack cloth between coats.

4. Some finishes tend to slightly raise the grain. This can be easily controlled with a light sanding between coats. Do not use steel wool when you use water-based finishes. Strands of steel fiber caught in the wood can cause rust spots when coated with any water-based product.

## Painting

1. *Always read and follow all label directions.* Since there is a large variation between paint manufacturers and products, ask your paint supplier for specific advice on how to best use the paint you purchase. Ask them specifically for advice on finishing bare wood.
2. First coat the wood with a primer. An oil based primer works best for a smooth finish. If you do not wish to use a solvent based primer, water based primer works almost as well. However it may raise the wood grain and require additional sanding.
3. Buy quality brand paint in a satin, semi-gloss, or gloss sheen. Apply a second coat for a smooth finish. Lightly sand between coats using with #320 grit sandpaper so that the second coat will bond well. Be sure to use a tack cloth after sanding to remove any residue. Repeat as desired.
4. No top coat is required when using paint.