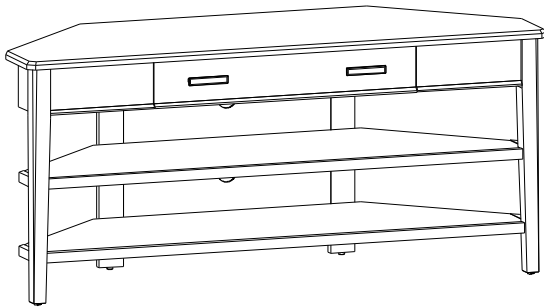


Model #

# 3461AUFb Stayton Corner Media Console

Assembly Instructions



**Congratulations!**

*This fine piece of furniture will make a gorgeous addition to your home. For the best results, read the Assembly Instructions and Finishing Hints before you begin your project.*

**IMPORTANT NOTES:**

- For normal household use only. *Not* recommended for commercial use.
- Do not climb, sit or stand on this piece of furniture.
- Unload items before you move this unit.
- Do not overload the drawer or shelves.
- Before you load or move this unit, tighten all screws and supports.
- Before you begin your project, completely read the Assembly Instructions and Finishing Hints.
- Store this item: 1- in its box; 2- in a dry place; 3- in temperatures that range from 40°F to 90°F (not on a cold and possibly damp cement floor).
- Periodically inspect your furniture for any loose glue joints, screws or any other problem that might affect the stability of your furniture. Tighten or repair as needed.
- This assembly requires two people.

**⚠ WARNING**

Serious or fatal crushing injuries can occur from furniture tip-over. Use of tip-over restraints may only reduce but not eliminate the risk of tip-over.  
**To help prevent tip-over:**

- Place heaviest items in the bottom drawers.
- Unless specifically designed to accommodate, do not set TVs or other heavy objects on top of this product.
- Never allow children to climb or hang on drawers, doors or shelves.
- Never open more than one drawer at a time.

**Warning:** At least one tipping restraint kit was included with your piece of Whittier Wood Furniture. When you receive your furniture, be sure to find and properly install the tipping restraint(s). If you cannot locate the restraint(s), please contact us immediately for replacement.

**Notice to California Customers**

California Prop 65 requires consumer goods to be labeled if any one of 850+ different chemicals or substances, including wood dust, is present even in trace amounts. Drilling, sawing, sanding or machining wood products generates wood dust, a substance known to the State of California to cause cancer. **Warning:** This product contains a chemical or substance known to the State of California to cause cancer, birth defects or other reproductive harm. *California Health and Safety Code Section 25249.6*

**DESIGN SUBJECT TO CHANGE WITHOUT NOTICE.**

**☎ CALL US FIRST! Do not return this item to the store**

**Service Policy:** We will replace any part that is defective, missing or damaged during assembly. For a replacement part, directly contact Whittier Wood Products customer service department by phone, fax, mail or email.

**To Order:** Provide the furniture model number (upper portion of this page), the part letter, production code, quantity needed, reason for replacement and your full name, address and telephone number.

**Hours:** Our friendly customer service staff can be reached Monday-Friday 7:00 a.m. to 5:00 p.m. (Pacific Time). You may leave a message 24 hours a day, seven days a week.

*Parts ship from our Eugene, Oregon factory within one or two business days from the time we receive your request. Please allow five to ten business days for delivery.*

**800-653-3336** • Outside the U.S. or Canada: 541-687-0213 • Fax: 541-687-2060  
www.whittierwood.com • P.O. Box 2827 • Eugene, Oregon 97402, U.S.A.



P.O. Box 2827  
Eugene, OR 97402 USA

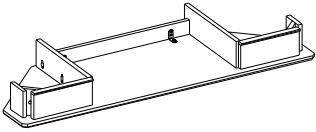
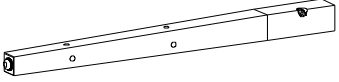
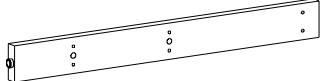
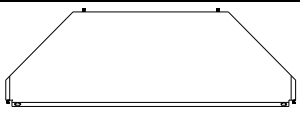
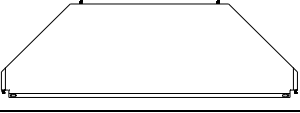
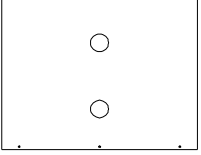
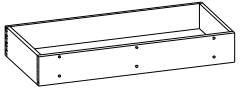

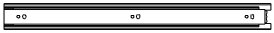



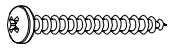





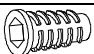


Production Code:

VN 04/14

# 3461AUFb Stayton Corner Media Console

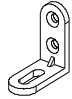



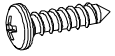
## Parts List

Please identify the parts and check that quantities received match those on this list.  
If you need to replace a part, refer to the following letter and part name.

Part	Description		Quantity
A	Top Assembly (attached)		1
B	Front Leg		2
C	Back Leg		2
D	Lower Shelf Assembly		1
E	Upper Shelf Assembly		1
F	Back		1
G	Drawer Box (inserted)		1
H	Drawer Face (installed)		1
I	Drawer Slides (pre-installed sets)		1
J	#6 x 3/4" Philtruss Screw (inserted)		6
K	#6 x 1/2" Philtruss Screw (inserted)		6
L	#6 x 5/8" Philtruss Screw		6
N	#8 x 1-1/4" Pan Head Screw		40 (24 inserted)
Oa	#8 x 1-1/2" Machine Screw Tuscan (installed)		4
P	5/16" Flat Washer		2
Q	#8 Washer (inserted)		22
R	3/8" x 1" Insert Nut (inserted)		2
S	3/8" x 2-1/2" Hex Bolt		2
T	1/4" x 20mm Insert Nut (inserted)		2
U	Pull (installed)		2
V	Wood Dowel (inserted)		8

## 3461AUFb Stayton Corner Media Console

### Parts List

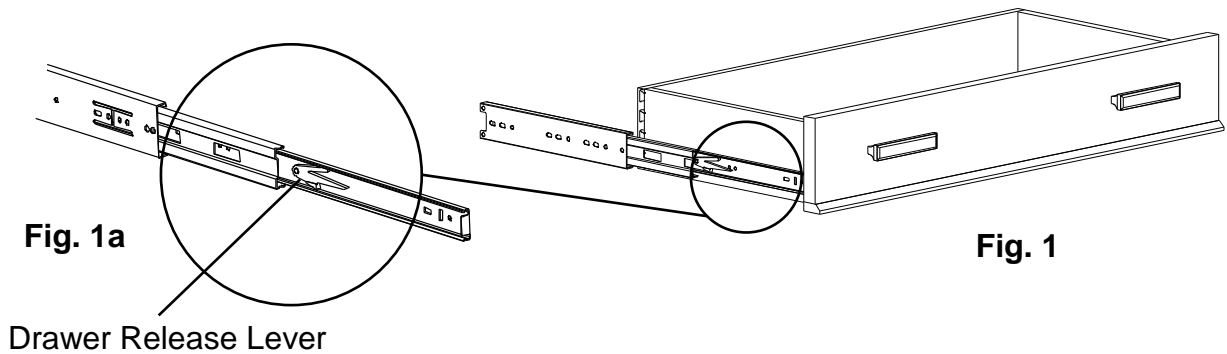
Part	Description	Quantity
X	Adjustable Angle Bracket (attached) 	2
Y	Adjustable Glide (installed) 	2
Z	Tack Glide (inserted) 	2
ZA	#8 x 7/8" Black Lo-Profile Screw (inserted) 	6
ZB	#10 x 3/4" Pan Head Screw (inserted) 	6
TR	Media Zip-Tie Tipping Restraint	2 sets

# 3461AUFb Stayton Corner Media Console

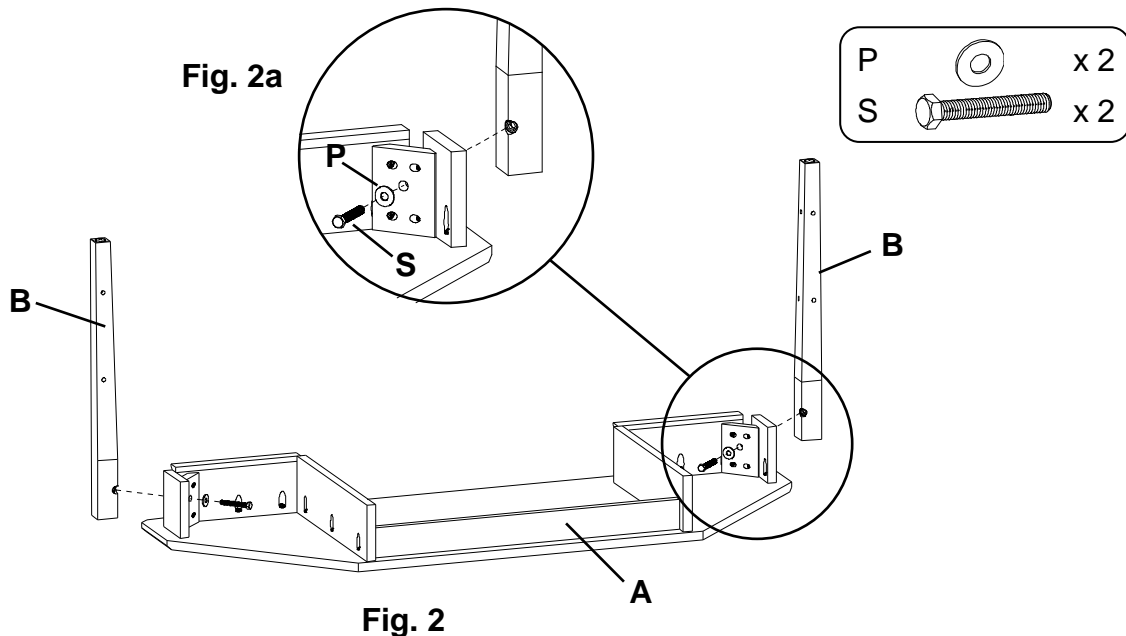
## Assembly Instructions

**Tools Required: Phillips Screwdriver, 9/16" or Adjustable Wrench, Rubber Mallet or Padded Hammer**

1. Remove the Drawer (G) from the Top Assembly (A). To remove the drawer, pull up on the left side of the Drawer Release Lever while pushing down on the right Drawer Release Lever. See Figure 1a.



2. Turn the Top Assembly (A) upside-down on a clean, protected surface. Place two Front Legs (B) at the front of the Top Assembly (A); making sure the drilled corners of the legs face toward the Corner Blocks. Attach with 5/16" Flat Washers (P) and 3/8" x 2-1/2" Hex Bolts (S). See Figures 2 and 2a.

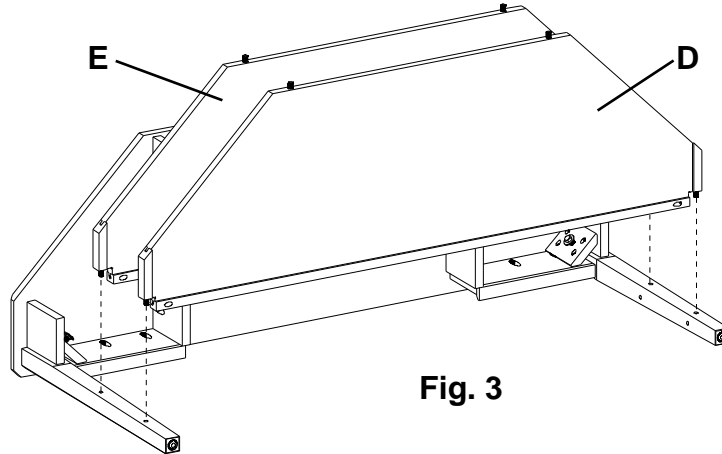


# 3461AUFb Stayton Corner Media Console

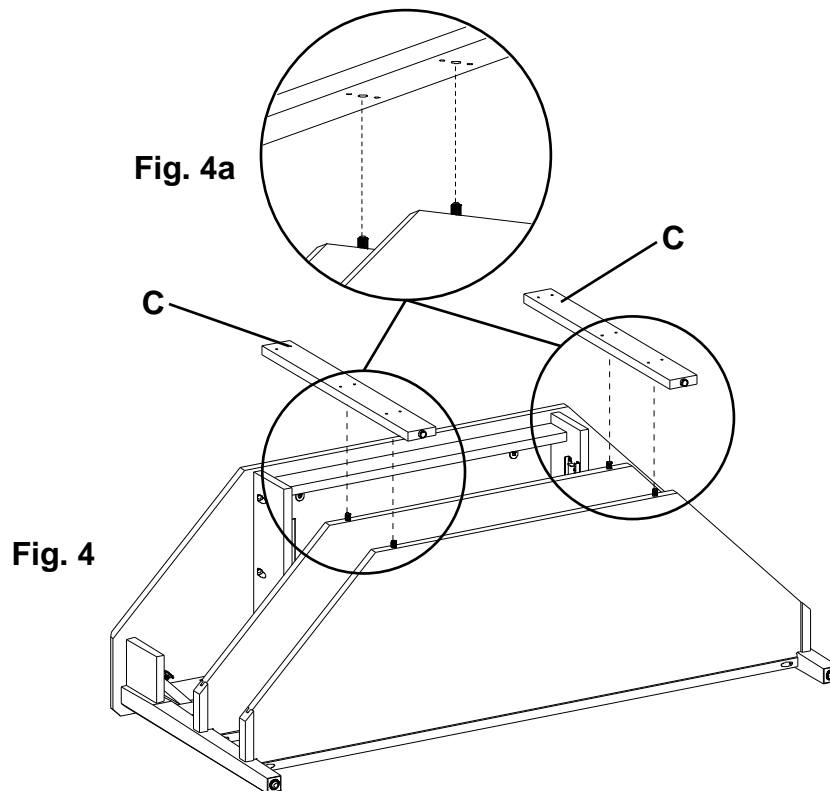
## Assembly Instructions

---

3. Rotate the Top and Leg assembly so that it sets on the front legs. Turn the Lower Shelf Assembly (D) and the Upper Shelf Assembly (E) bottom-side-down and place the dowels into the dowel holes in the Front Legs. See Figure 3.



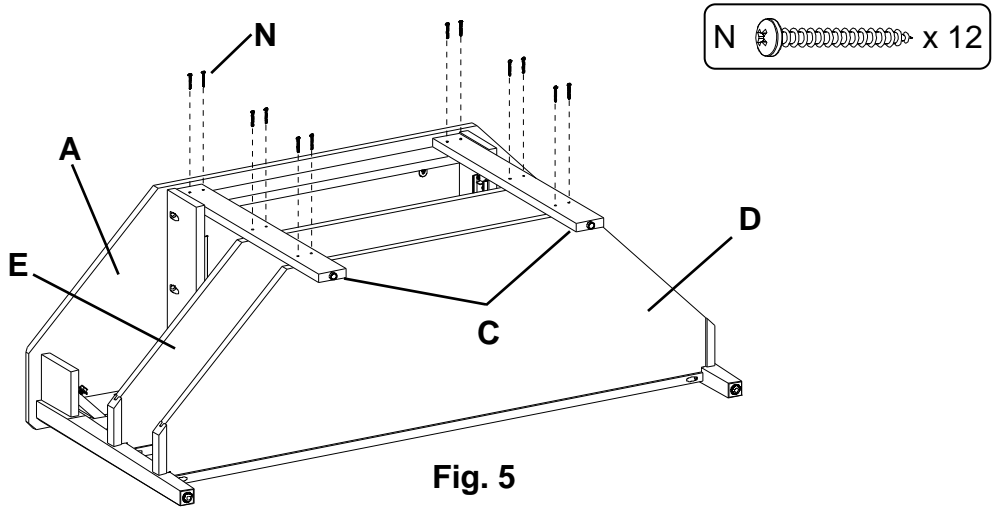
4. Using the dowels as guides, place the Back Legs (C) in the remaining two corners. See Figures 4 and 4a.



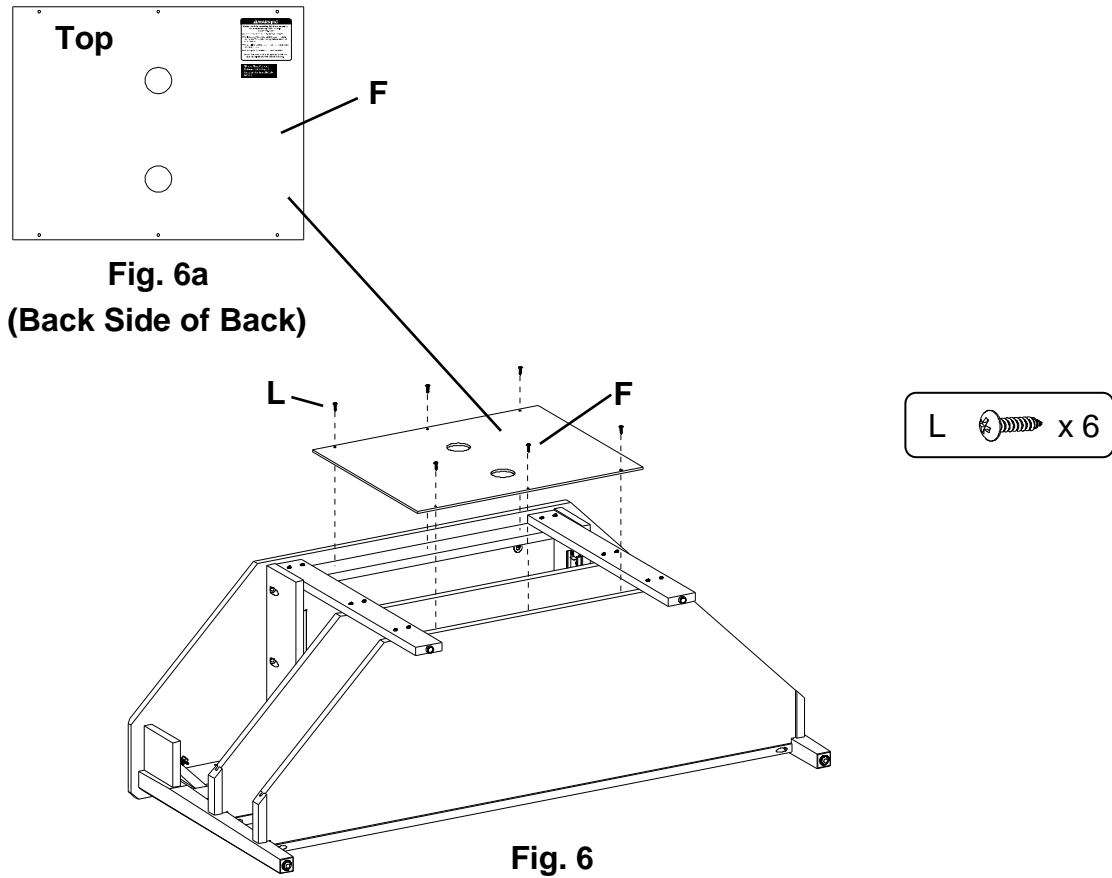
# 3461AUFb Stayton Corner Media Console

## Assembly Instructions

5. Secure the Back Legs (C) to the Top Assembly (A), Lower Shelf Assembly (D), and the Upper Shelf Assembly (E) with twelve #8 x 1-1/4" Pan Head Screws (N). See Figure 5.



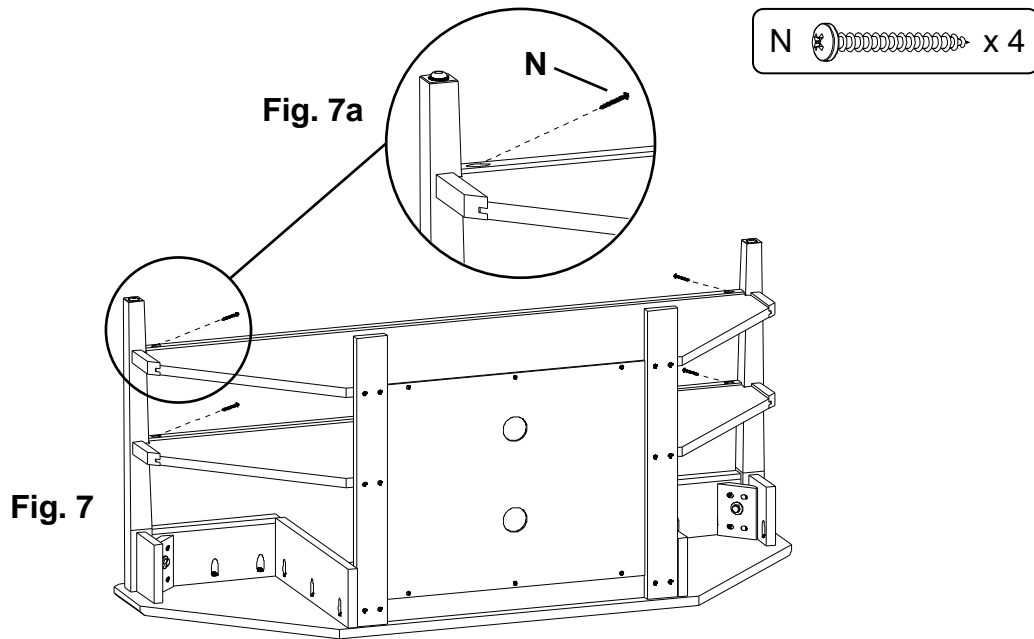
6. Lay the unit with the drawer opening face down. The back apron of the Top Assembly has pre-punched location holes. The Back (F) is labeled "Top". Place the Back (F) against the back apron and attach by inserting three #6 x 5/8" Philtruss Screws (L) through the pre-punched location holes. Attach the Back (F) to the Lower Shelf Assembly (D) by inserting three additional #6 x 5/8" Philtruss Screws through the holes in the bottom of the Back (F). See Figure 6.



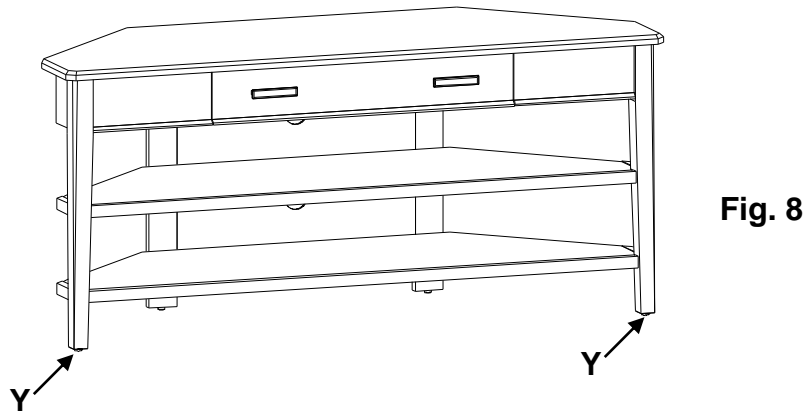
# 3461AUFb Stayton Corner Media Console

## Assembly Instructions

7. Turn the unit onto its top and using the pocket holes as guides, secure the Lower Shelf Assembly (D) and the Upper Shelf Assembly (E) to the Front Legs (B) with four #8 x 1-1/4" Pan Head Screws (N). See Figures 7 and 7a.



8. Turn the table upright and insert the Drawer. See Figure 8.



9. Place the unit at its final destination. To level the table, rotate the Adjustable Glides (Y) found on the bottoms of the front legs. See Figure 8.

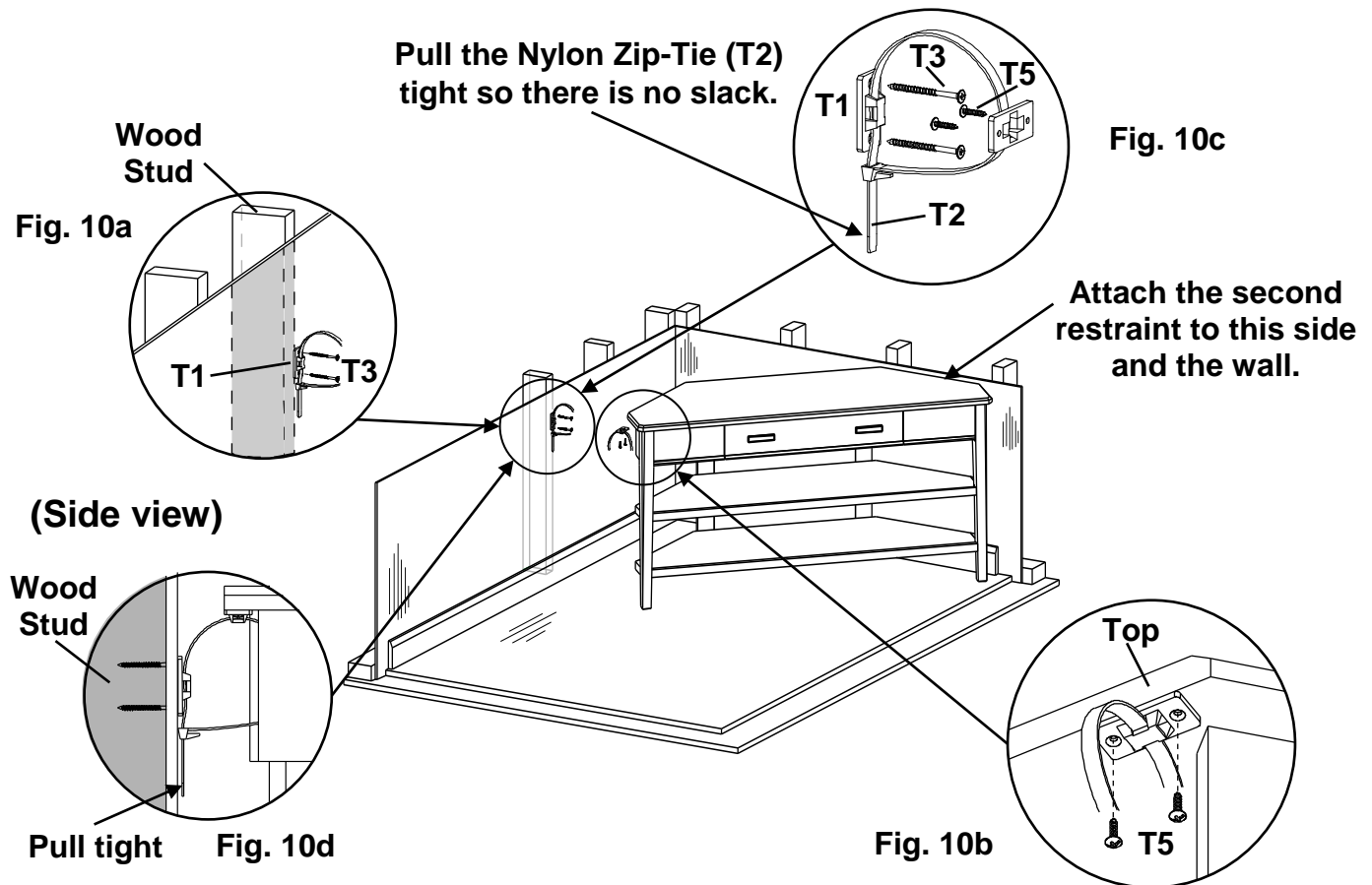
# 3461AUFb Stayton Corner Media Console

## Assembly Instructions

10. Position the unit at the desired location. Locate a stud in the wall behind each side of the unit. A strong small magnet is helpful to locate the studs in the wall. The magnet will help you find the nails or screws used to attach the wall to the studs. When you have found a screw you have found a stud. Studs are usually 16" on center. Attach a Clip (T1) to each wall stud with #8 x 2" Black Screws (T3). See Figure 10a.

The clips attached to the furniture will attach to the underside of the top adjacent to each wall clip. Attach the second clip from each kit to the unit with #6 x 5/8" Philtruss Screws (T5). See Figure 10b. Connect the two clips with the Nylon Zip-Tie (T2). **Pull the Nylon Zip-Tie (T2) tight so there is no slack.** See Figures 10c and 10d. We have included an extra Nylon Zip-Tie in each kit; if you should need to move your furniture cut the Zip-Ties that you are using and replace with the extra Zip-Ties when the furniture is back in place.

**The screws attaching your furniture to the wall must be inserted into a wall stud. Do not attempt to use wall anchors.**





# Whittier Finishing Hints

## Checklist of materials

- |   |  |  |
|---|--|--|
| <input type="checkbox"/> Rubber gloves  | <input type="checkbox"/> Tack cloth                            | <input type="checkbox"/> #220 & #320 sandpaper |
| <input type="checkbox"/> Lint-free rags | <input type="checkbox"/> Drop cloth                            | <input type="checkbox"/> Painter's tape        |
| <input type="checkbox"/> Paper towels   | <input type="checkbox"/> Stain brushes (poly bristle and foam) | <input type="checkbox"/> Wood glue             |
| <input type="checkbox"/> Cotton swabs   |  | <input type="checkbox"/> Dust mask             |

**CAUTION:** If you have environmental or chemical sensitivities, please take the necessary precautions and use personal protective equipment to aid in limiting your exposure. Personal protective equipment may include but are not limited to gloves, dust masks or respirators.

**NOTICE TO CALIFORNIA CUSTOMERS:** California Prop 65 requires consumer goods to be labeled if any one of 850+ different chemicals or substances, including wood dust, is present, even in trace amounts. Drilling, sawing, sanding or machining wood products generates wood dust, a substance known to the State of California to cause cancer. **Warning:** This product contains a chemical or substance known to the State of California to cause cancer, birth defects or other reproductive harm. California Health and Safety Code Section 25249.6

## Getting started

*Assembly Instructions may contain special finishing information or gluing requirements for that item.*

Completely read both the Assembly Instructions and these Finishing Hints before you begin your project.

**Choosing the finish:** Ask your retailer for advice on how to finish bare wood. Choose a finish that meets your expectations for the end use of the product. Will you use it as a work surface as on a desk or kitchen island? Are you matching a finish on existing furniture? The answers to these questions may affect the type of finish you choose.

**Where to work:** Choose an area that has good light and is well ventilated, warm and dry. If the work area is cold and damp, the wood finishing products may require a longer drying time than the labels indicate. Do not work in a dirty or dusty area – dirt and/or dust can embed in the finish.

## Gluing hints

These are general hints. Refer to the Assembly Instructions for detailed information on how to glue your specific product. Use wood glue such as Elmer's Wood Glue, Titebond Wood Glue or the equivalent. Some

instructions call for a slow drying glue. Carefully read the label and instructions of the glue manufacturer. Your unit may not need glue.

1. We strongly recommend that you lay out all the parts and familiarize yourself with how they fit together before assembling with glue. Glue will set up quickly. You can damage parts if you try to reposition any that have been assembled incorrectly.
2. For glue to properly bond, it is very important to apply the wood glue to bare wood. Protect your eyes and blow into holes to clear excess dust. This will help the glue to adhere to a clean surface.
3. If you plan on finishing the product before you assemble it, place painter's tape three-fourths of the way up from the end of a dowel, spindle or tenon. This protects the ends from the finishing product but allows finish application where it will be visible. Finishing products inhibit the bonding properties of wood glue. Remove the tape prior to the final assembly.
4. Avoid getting glue on surfaces to be finished. Most stains or finishes will not penetrate where glue has been spilled. Wet glue can be wiped off with a damp cloth. Follow with a light sanding of the area to ensure a proper finish.
5. It is important to apply an even coat inside holes and slots. Use a small dowel, pencil or cotton swab to spread glue evenly around the inside of the holes. Do not over glue. The tight fit of the spindles or dowels in the holes can cause glue to be pushed to the bottom of the hole. If too much glue is used it will fill the holes and not allow the spindle or dowel to be fully inserted.
6. Glue usually takes several hours to cure or harden but it will set up or grab in several seconds. Once you begin final assembly, proceed quickly.

## Finishing hints

1. Use products of the same brand to ensure compatibility. It is not recommended to mix solvent based and water based finishes. *Always read and follow all label directions on the can.*
2. Alder is a porous hardwood and often looks best when following the finishing instructions for softwoods.
3. Use a wood conditioner under oil base stains.



P.O. Box 2827  
Eugene, OR 97402 USA  
Toll Free: 800-653-3336  
Ph: 541-687-0213  
Fax: 541-687-2060  
www.whittierwood.com

## Preparing the surface

1. Sand each piece with #220 grit sandpaper. Sand with the grain of the wood on flat surfaces and opposite the grain on turnings. Some parts may be plywood. Be careful not to sand through the veneer. End grain such as table top ends, seat edges and grooves on turnings accept more stain. Extra sanding in these areas with #320 grit sandpaper reduces stain absorption and creates a more evenly stained piece.
2. When sanding is completed, wipe the surface of your furniture with a lint-free rag or tack cloth. Make sure the item is free of dust before you proceed.

## Staining

1. *Always read and follow all label directions.* Stir the stain well before you start. Stir periodically throughout the duration of the project to maintain uniform color consistency.
2. Test stain on an inconspicuous spot on your project. Put at least one coat of your top coat over the test area as it also affects the look of the stain. *Test every type of wood that is in your kit. These are identified in the Assembly Instructions.* Different types of wood may react differently to the stain color. You might need to add a second coat of stain to lighter woods to match the darker woods in your kit.
3. Apply stain with a poly brush or lint-free cloth. Apply stain over a small area and wipe off excess. Working in small areas will make the color easier to control.
4. Cotton swabs are ideal for hard to reach areas.
5. Allow the stain to dry thoroughly before you proceed.

## Applying the top coat

1. *Always read and follow all label directions.* Stir your top coat gently; do not shake. Shaking the can creates bubbles that are hard to remove.
2. All surfaces including the underside of table tops and inside drawers must be sealed with at least one layer of a top coat. This will help minimize wood swelling, shrinkage, warping and cupping due to changes in moisture content or temperature.
3. Apply a minimum of two coats when you use polyurethane or varnish (especially on all table top and work surfaces). After allowing the first coat to dry, sand lightly with #320 grit sandpaper. Remove dust with a lint-free rag or tack cloth. For added protection,

apply additional coats. Lightly sand and wipe surface with a lint-free rag or tack cloth between coats.

4. Some finishes tend to slightly raise the grain. This can be easily controlled with a light sanding between coats. Do not use steel wool when you use water-based finishes. Strands of steel fiber caught in the wood can cause rust spots when coated with any water-based product.

## Painting

1. *Always read and follow all label directions.* Since there is a large variation between paint manufacturers and products, ask your paint supplier for specific advice on how to best use the paint you purchase. Ask them specifically for advice on finishing bare wood.
2. First coat the wood with a primer. An oil based primer works best for a smooth finish. If you do not wish to use a solvent based primer, water based primer works almost as well. However it may raise the wood grain and require additional sanding.
3. Buy quality brand paint in a satin, semi-gloss, or gloss sheen. Apply a second coat for a smooth finish. Lightly sand between coats using with #320 grit sandpaper so that the second coat will bond well. Be sure to use a tack cloth after sanding to remove any residue. Repeat as desired.
4. No top coat is required when using paint.