

Model #

3500GACc;

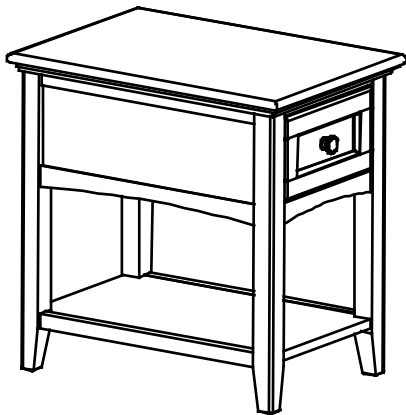
3500CAFc

McKenzie Chair Side Table

GAC = Glazed Antique Cherry finish

CAF = Caffè finish

Assembly Instructions



Thank you for allowing us to help you furnish your home. We are certain you will be delighted with your new furniture for many years to come.

IMPORTANT NOTES:

- For normal household use only. *Not* recommended for commercial use.
- Do not climb, sit or stand on this piece of furniture.
- Unload items before you move this unit.
- Do not overload the drawer or shelf.

WARNING

Drilling, sawing, sanding or machining wood products can expose you to wood dust, a substance known to the state of California to cause cancer. Avoid inhaling wood dust or use a dust mask or other safeguards for personal protection.

For more information go to: www.p65warnings.ca.gov/wood

This product can expose you to chemicals, including formaldehyde, which are known to the State of California to cause cancer.

For more information go to: www.p65warnings.ca.gov/furniture

DESIGN SUBJECT TO CHANGE WITHOUT NOTICE.

CUSTOMER SERVICE

If you ever have questions about your furniture, please do not hesitate to contact us. In the unlikely event you need a replacement part; we can make those parts available through an authorized Whittier Wood Furniture dealer. If you cannot order replacement parts through your dealer, please contact our customer service department.

Hours: Our friendly customer service staff can be reached:

Monday-Friday 8:00 a.m. to 5:00 p.m. (Pacific Time).

You may leave a message 24 hours a day, seven days a week.

Customer Service: 800-653-3336 • **Outside the U.S.:** 541-687-0213

Fax: 541-687-2060 • **Email:** info@whittierwood.com

**Whittier
Wood**
FURNITURE

P.O. Box 2827
Eugene, OR 97402 USA

Production Code:

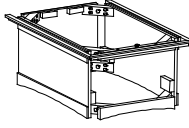
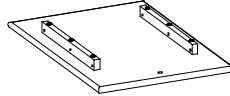

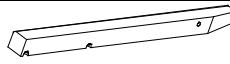
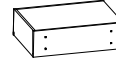
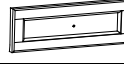
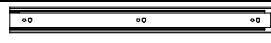
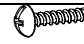
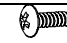
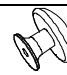

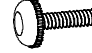
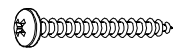
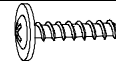








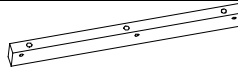
VN

02/17

3500GACc; 3500CAFc McKenzie Chair Side Table

Parts List

Please identify the parts and check that quantities received match those on this list.
If you need to replace a part, refer to the following letter and part name.

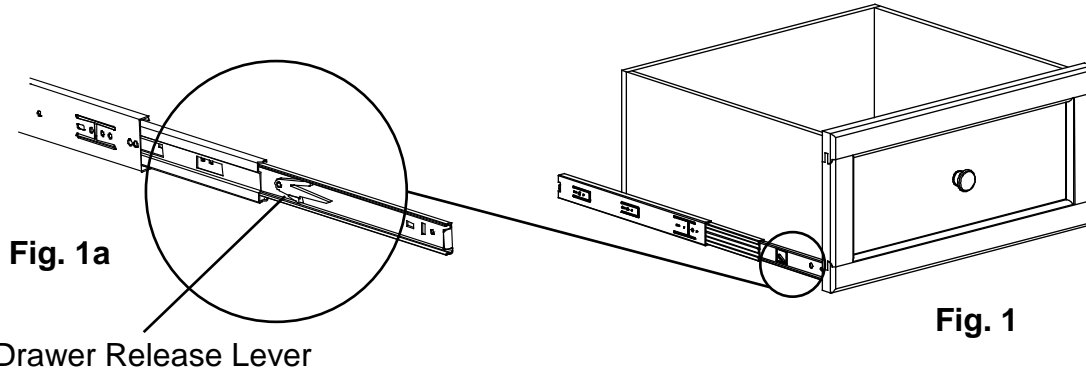
| Part | Description | | Quantity |
|------|--|---|---------------------|
| Ac | Case Assembly |  | 1 |
| Bc | Top Assembly (attached) |  | 1 |
| C | Shelf Assembly |  | 1 |
| D | Leg |  | 4 |
| F | Drawer (inserted) |  | 1 |
| I | Drawer Face (installed) |  | 1 |
| L | 20" Drawer Slides (pre-installed set) |  | 1 |
| N | #6 x 3/4" Philtruss Screw (inserted) |  | 6 |
| O | #6 x 1/2" Philtruss Screw (inserted) |  | 6 |
| P | Knob (attached) |  | 1 |
| Qb | #8 x 1-1/2" Machine Screw Tuscan (installed) |  | 1 |
| S | Adjustable Glide (installed) |  | 4 |
| T | #8 x 1-1/4" Pan Head Screw |  | 48 (44 inserted) |
| Ub | #8 x 7/8" Black Lo-Profile Screw (inserted) |  | 4 |
| V | Wood Dowel (inserted) |  | 4 |
| W | 3/8" x 1" Insert Nut (inserted) |  | 8 |
| X | 5/16" Flat Washer |  | 8 |
| Y | 3/8" x 2-1/2" Hex Bolt |  | 8 |
| ZA | 1/4" x 20mm Insert Nut (inserted) |  | 4 |
| ZB | #8 x 1-3/8" Lo-Profile Screw (inserted) |  | 2 |
| ZC | #10 x 2" Pan Head Screw (inserted) |  | 6 |
| ZD | #8 Washer (inserted) |  | 6 |
| ZE | Top Support (attached) |  | 2 |

3500GACc; 3500CAFc McKenzie Chair Side Table

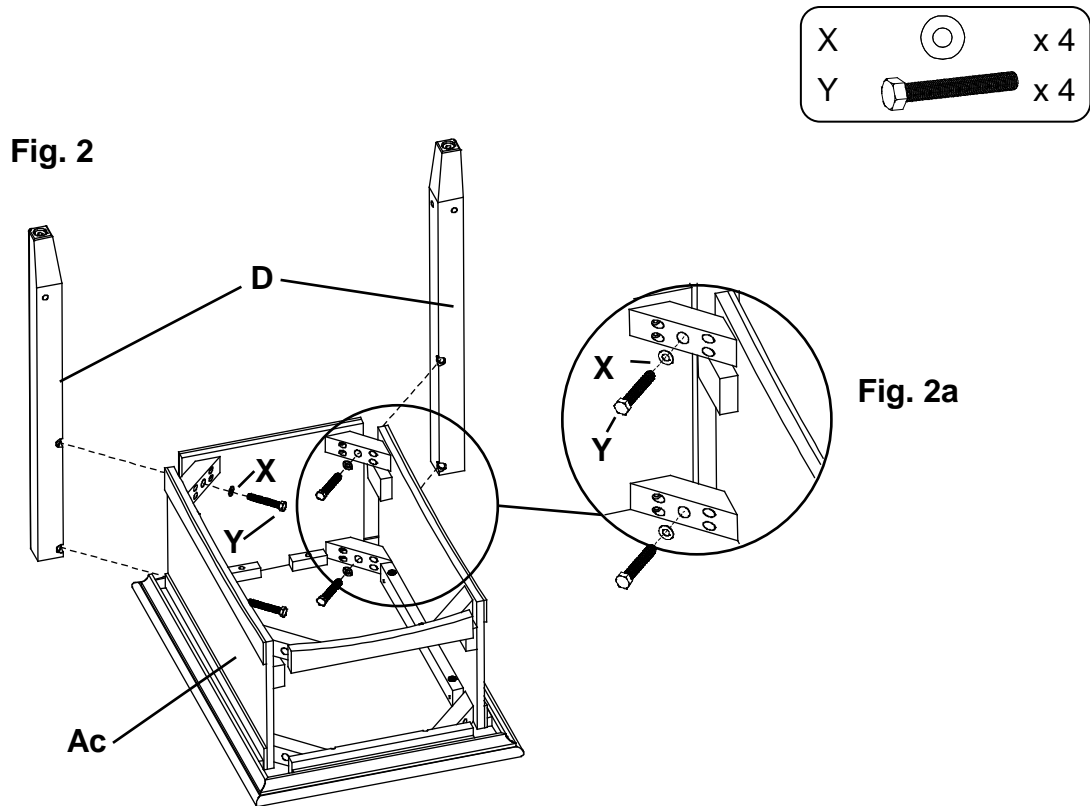
Assembly Instructions

Tools Required: Phillips Screwdriver, 9/16" or Adjustable Wrench

1. Remove the Drawers (F) from the Case (Ac). To remove the drawers, pull up on the left side of the Drawer Release Lever while pushing down on the right Drawer Release Lever. See Figure 1a. Note where each drawer came from to ensure correct installation.



2. Turn the unit upside down on a clean, protected surface. Place two Legs (D) at the front corners of the Case (Ac) as shown in Figure 2. Face the drilled corners of the legs toward the Corner Blocks. Insert two 3/8" x 2-1/2" Hex Bolts (Y) with two Flat Washers (X) through the Corner Blocks and into the legs and securely fasten. See Figures 2 and 2a.



3500GACc; 3500CAFc McKenzie Chair Side Table

Assembly Instructions

3. Using the dowels as guides, insert the dowels in the Shelf (C) into the holes in the Legs (D). See Figure 3. While holding the shelf stable, place a Leg (D) against the Case and Shelf so that the Insert Nut aligns with the Corner Block and insert the Dowel in the Shelf into the hole in the leg. Insert two 3/8" x 2-1/2" Hex Bolts (Y) with two Flat Washers (X) through the corner blocks and into the leg and securely fasten. See Figures 3 and 3a. Repeat for the final leg.

Fig. 3

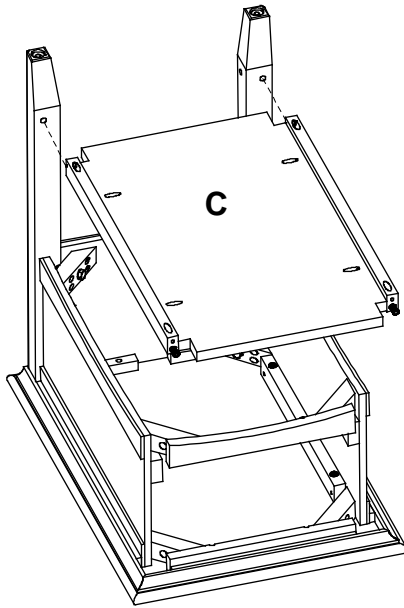
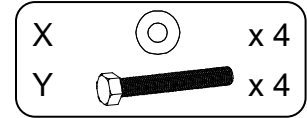
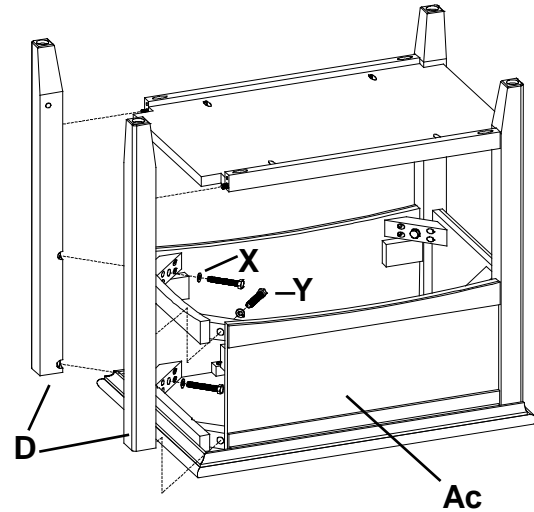


Fig. 3a



4. Using the pocket drilled holes as guides, secure the Shelf with four #8 x 1-1/4" Pan Head Screws (T). See Figures 4 and 4a.

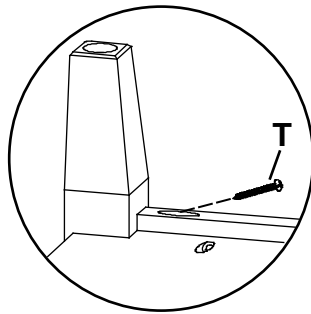


Fig. 4a

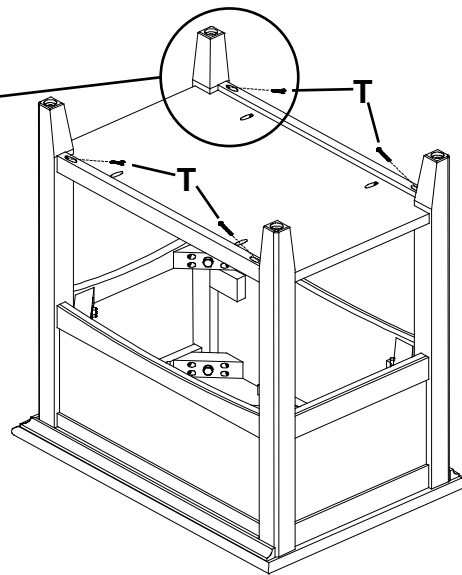
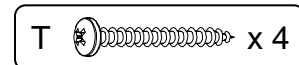


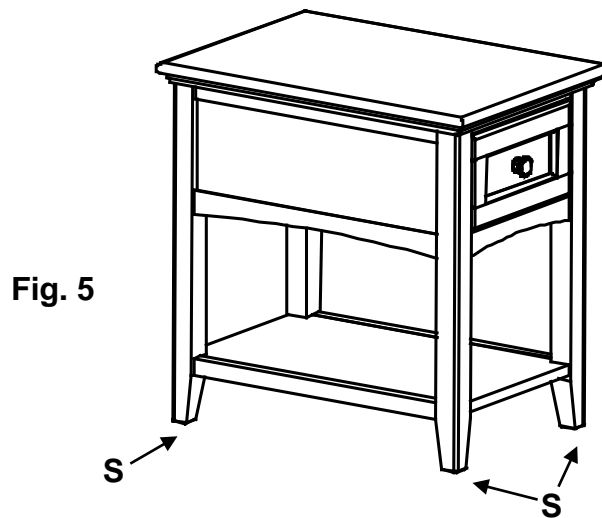
Fig. 4



3500GACc; 3500CAFc McKenzie Chair Side Table

Assembly Instructions

5. Turn the table upright and insert the Drawer.



6. Place the table at its final destination. To level the table, rotate the Adjustable Glide (S) found at the bottom of each leg. See Figure 5.