

Model #

3505GACb

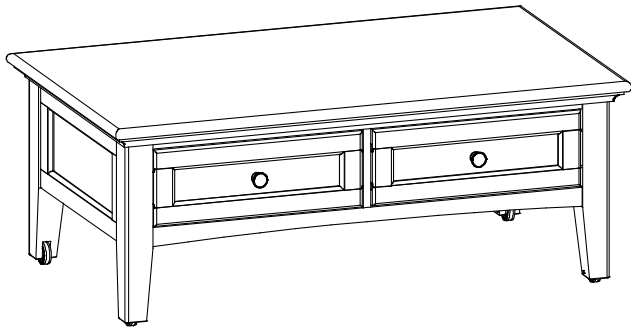
3505CAFb

McKenzie Lift Top Coffee Table

GAC = Glazed Antique Cherry finish

CAF = Caffè finish

Assembly Instructions



Thank you for allowing us to help you furnish your home. We are certain you will be delighted with your new furniture for many years to come.

IMPORTANT NOTES:

- For normal household use only. *Not* recommended for commercial use.
- Do not climb, sit or stand on this piece of furniture.
- Unload items before you move this unit.
- Do not overload the drawers.
- This assembly requires two people.

WARNING

Drilling, sawing, sanding or machining wood products can expose you to wood dust, a substance known to the state of California to cause cancer. Avoid inhaling wood dust or use a dust mask or other safeguards for personal protection.

For more information go to: www.p65warnings.ca.gov/wood

This product can expose you to chemicals, including formaldehyde, which are known to the State of California to cause cancer.

For more information go to: www.p65warnings.ca.gov/furniture

DESIGN SUBJECT TO CHANGE WITHOUT NOTICE.

CUSTOMER SERVICE

If you ever have questions about your furniture, please do not hesitate to contact us. In the unlikely event you need a replacement part; we can make those parts available through an authorized Whittier Wood Furniture dealer. If you cannot order replacement parts through your dealer, please contact our customer service department.

Hours: Our friendly customer service staff can be reached:

Monday-Friday 8:00 a.m. to 5:00 p.m. (Pacific Time).

You may leave a message 24 hours a day, seven days a week.

Customer Service: 800-653-3336 • **Outside the U.S.:** 541-687-0213

Fax: 541-687-2060 • **Email:** info@whittierwood.com

**Whittier
Wood**
FURNITURE

P.O. Box 2827
Eugene, OR 97402 USA

Production Code:

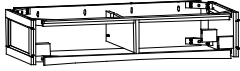

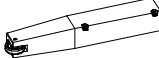
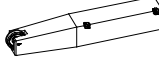
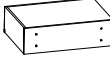





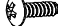


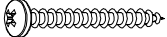
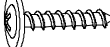



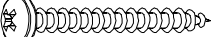


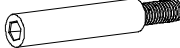

VN

03/17

3505GACb 3505CAFb McKenzie Lift Top Coffee Table

Parts List

Please identify the parts and check that quantities received match those on this list.
If you need to replace a part, refer to the following letter and part name.

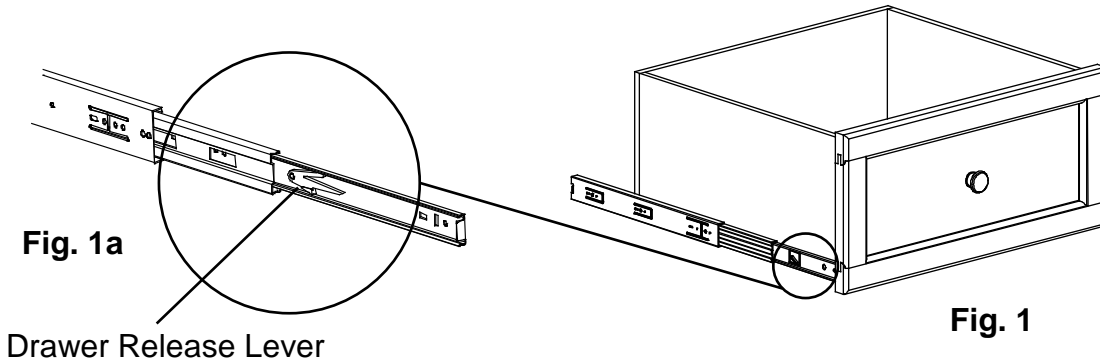
Part	Description		Quantity
A	Case Assembly		1
B	Top Assembly (attached)		1
Ca	Left Front/Right Back Leg		2
Da	Right Front/Left Back Leg		2
E	Drawer (inserted)		2
F	Drawer Face (installed)		2
G	Tray Assembly (attached)		1
H	16" Drawer Slide (installed sets)		2
I	Lift Up Mechanism (attached)		1
J	#6 x 3/4" Philtruss Screw (inserted)		28
K	#6 x 1/2" Philtruss Screw (inserted)		12
L	Knob (attached)		2
Mb	#8 x 1-1/2" Machine Screw Tuscan (installed)		2
N	#8 x 1-1/4" Pan Head Screw (inserted)		68
Ob	#8 x 7/8" Black Lo-Profile Screw (inserted)		8
P	3/8" X 1" Insert Nut (inserted)		8
Q	5/16" Flat Washer		8
R	3/8" x 2-1/2" Hex Bolt		8
S	#10 x 2" Pan Head Screw (inserted)		8
T	Velvet Pad 100 x 38mm (attached)		4
U	PVC Wheel (installed)		4
V	Axle Pin (inserted)		4
W	4 x 10mm Insert Nut (inserted)		4

3505GACb 3505CAFb McKenzie Lift Top Coffee Table

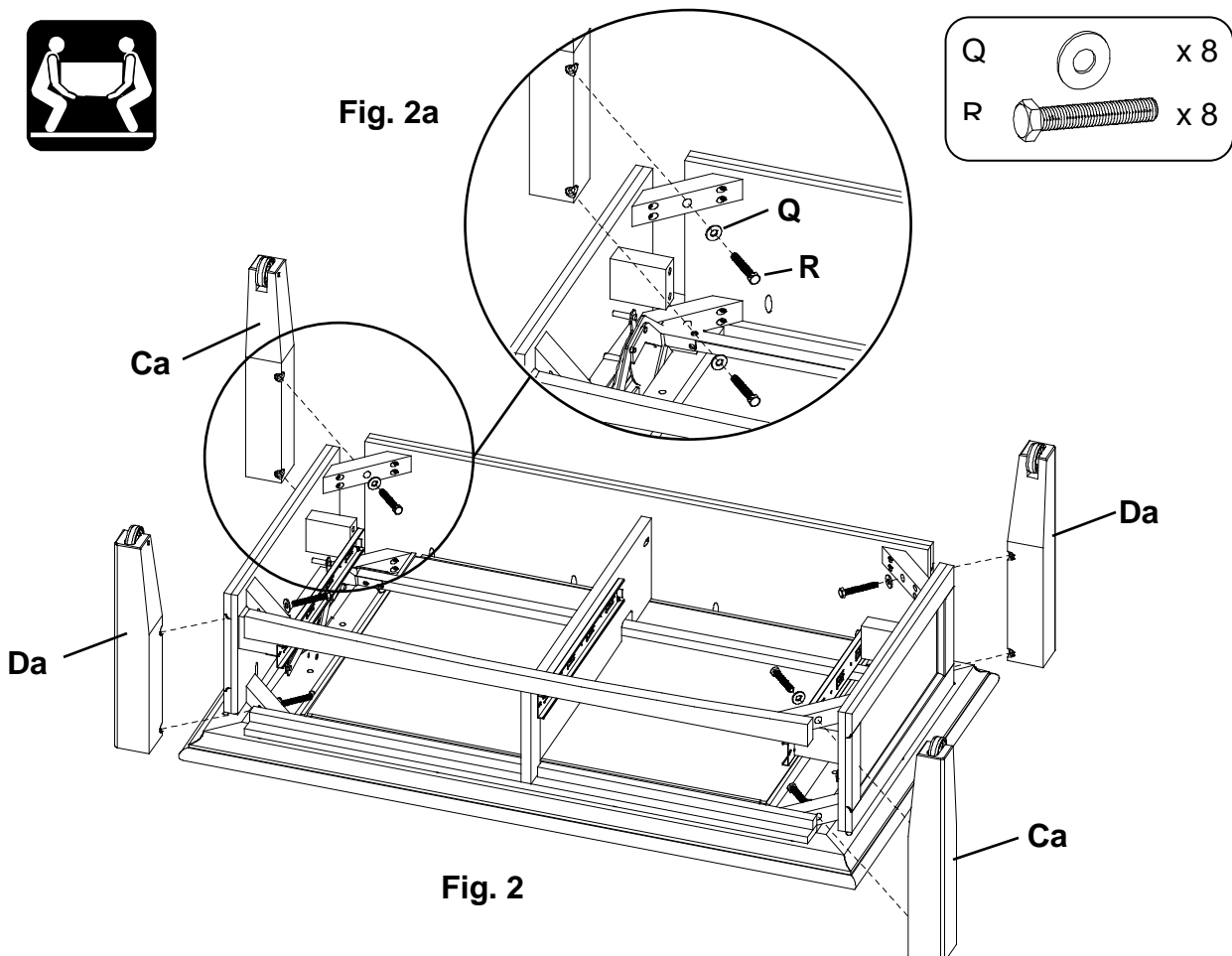
Assembly Instructions

Tools Required: 9/16" or Adjustable Wrench

1. Remove the Drawers (E) from the Case (A). To remove the drawers, pull up on the left side of the Drawer Release Lever while pushing down on the right Drawer Release Lever. See Figure 1a. Note where each drawer came from to ensure correct installation.



2. Turn the unit upside down on a clean, protected surface. Place the Left Front/Right Back Leg (Ca) and the Right Front/Left Back Leg (Da) at one end of the Case, making sure the drilled corners of the legs face toward the Corner Blocks. It is important the side of the leg exposing the wheel face each other. Insert two 3/8" x 2-1/2" Hex Bolts (R) with two Flat Washers (Q) through the Corner Blocks and into the leg and fasten securely. See Figures 2 and 2a. Repeat for the other three legs.

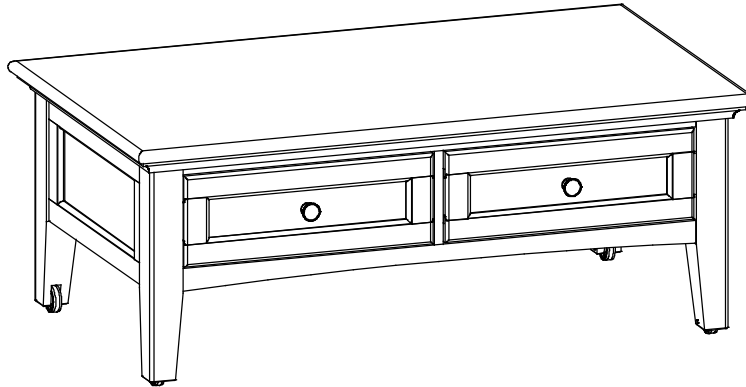


3505GACb 3505CAFb McKenzie Lift Top Coffee Table

Assembly Instructions

3. Firmly hold the lift top closed and turn the table upright then reinsert the drawers. See Figure 3.

Fig. 3



4. The wheels allow the table to easily move away from or toward your seating.

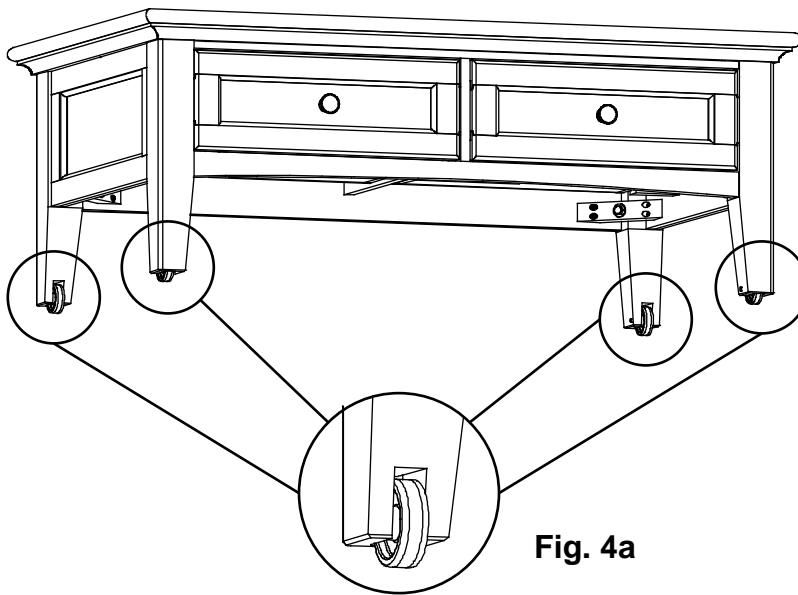


Fig. 4

Fig. 4a