

Model #

589Wb

Palmer Wardrobe/ Media Center *Assembly Instructions*



CALL US FIRST!

DO NOT RETURN ITEM TO STORE

Service Policy: We will replace any parts which are defective, missing or damaged during assembly. Please contact Whittier Wood Products customer service department directly (by phone, fax, mail or email) for replacement parts.

Hours: Our friendly customer service staff can be reached Monday-Friday 7:00 a.m. to 5:00 p.m. (Pacific Time). A message can be left 24 hours a day, 7 days a week.

To Order: Provide the complete furniture model number (upper left corner of this page), part letter, production code, quantity needed, reason for replacement and your full name and address along with a telephone number in case we need to contact you.

Parts ship from our Eugene, Oregon factory within 1 or 2 business days from the time we receive the request. Please allow 5-10 business days for delivery.

800-653-3336

Outside U.S. or Canada: 541-687-0213

Fax: 541-687-2060 • www.whittierwood.com


Mail: P.O. Box 2827 • Eugene, Oregon 97402, U.S.A.



Congratulations!

*This fine piece of furniture will make a handsome addition to your home. For the best results, start by reading both the Assembly Instructions and Finishing Hints **before** you begin your project.*

**For normal household use only.
NOT recommended for commercial use.**

 **Do not climb, sit or stand on this piece of furniture.**

Unload items from this unit prior to moving.

Do not overload the drawers on this unit.

For maximum stability, attach unit to the wall using the enclosed hardware as per instructions.

DESIGN SUBJECT TO CHANGE WITHOUT NOTICE.



P.O. Box 2827
Eugene, OR 97402 USA

IMPORTANT NOTES:

- Read both the Assembly Instructions and Finishing Hints completely before beginning.
- Store the parts: 1) in their box; 2) in a dry place; 3) in temperatures ranging from 40° to 90°. (Not on a cold, possibly damp, cement floor.)
- Inspect your furniture periodically for any loose glue joints or screws, or any other problem which may be affecting the stability of your furniture. Tighten or repair as needed.

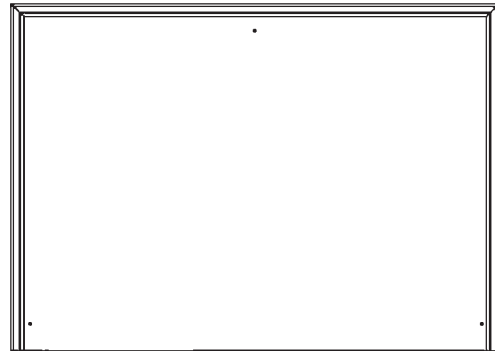
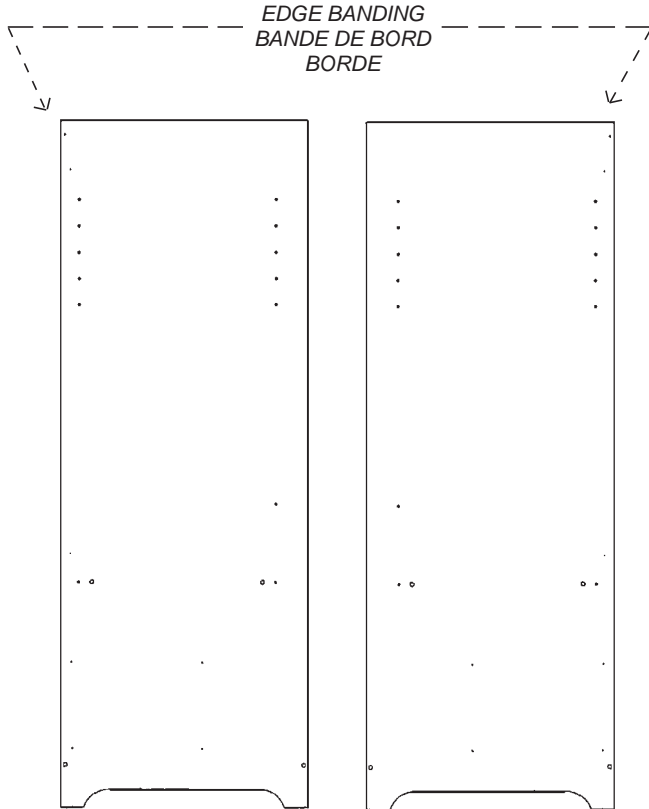
Production Code:

Rev. 9/07

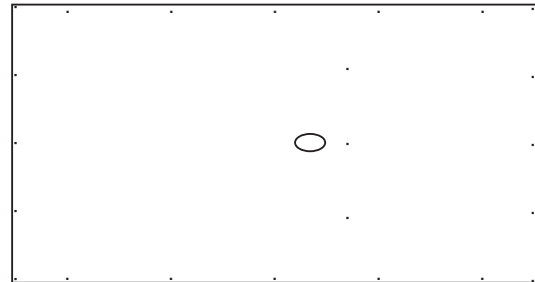
589Wb Palmer Wardrobe/Media Center — Parts List

BEFORE BEGINNING ASSEMBLY:

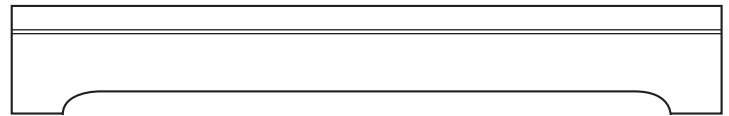
Check that the quantities of the parts received match those on the parts list below.



G — Top Assembly — Qty. 1



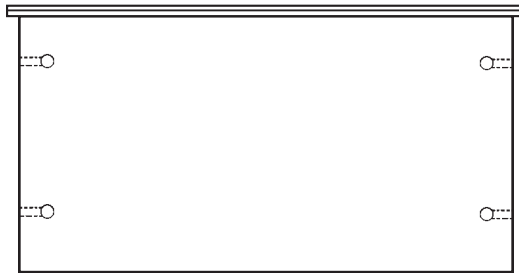
H — Back — Qty. 1



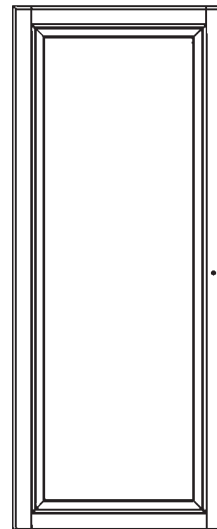
I — Base — Qty. 1



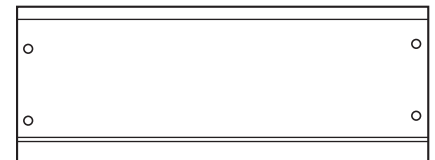
C — Sleeper — Qty. 2



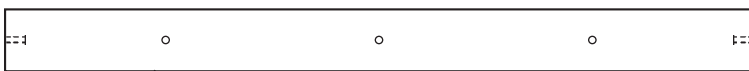
Db — Center Shelf — Qty. 1



J — Door — Qty. 2



K — Drawer Side — Qty. 4

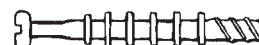


Eb — Crown — Qty. 1

EDGE BANDING
BANDE DE BORD
BORDE



F — Crown Spacer — Qty. 1

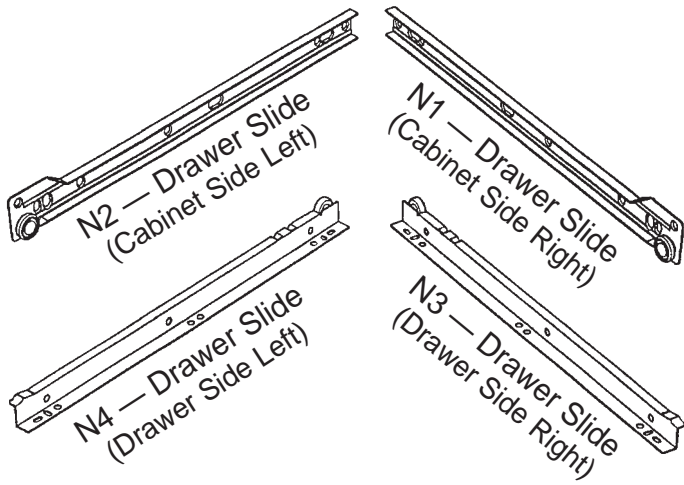


L — Cam Connector — Qty. 4

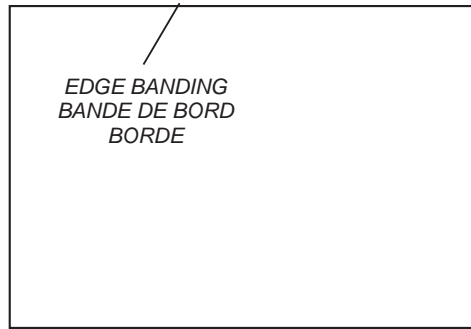


M — Cam Housing — Qty. 4

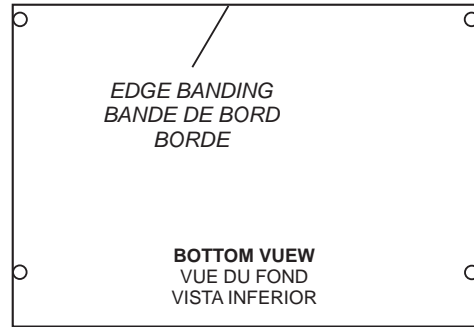
589Wb Palmer Wardrobe/Media Center — Parts List (cont.)



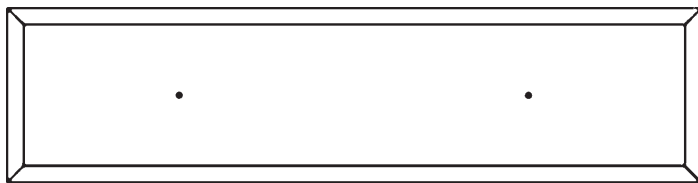
N — Drawer Slides — Qty. 2 sets



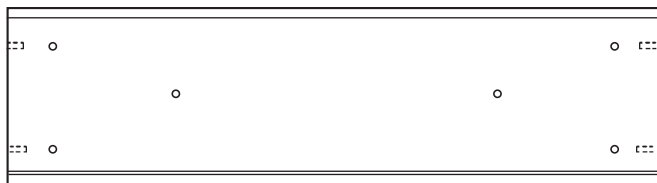
Sb — Lower Adjustable Shelf — Qty. 1



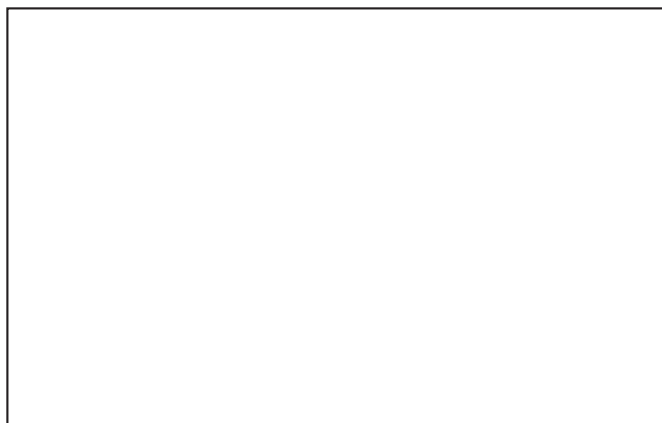
Sc — Upper Adjustable Shelf — Qty. 1



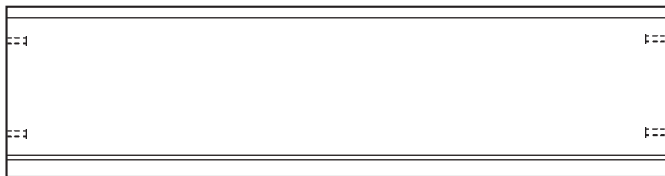
O — Drawer Face — Qty. 2



P — Drawer False Front — Qty. 2



Q — Drawer Bottom — Qty. 2



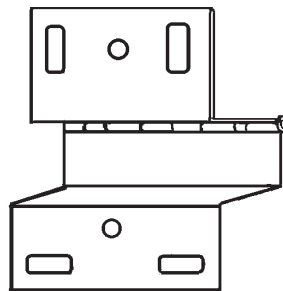
R — Drawer End — Qty. 2



T — Dowel
— Qty. 8



U — #8x1¼" Black
Screws — Qty. 20



W — Pewter Hinge
— Qty. 4



V — #8x1½" Black
Screw — Qty. 5



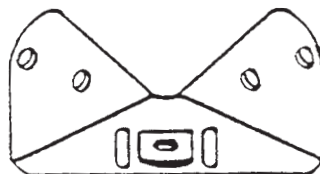
X — Magnetic Catch
Set — Qty. 1



Y — Adjustable Glide
— Qty. 2



Z — #6x5/8" Undercut
(type 17)
Screw — Qty. 72



ZA — Corner Brace
— Qty. 2



ZB — #8x5/8" Pan
Head Screw — Qty. 8

589Wb Palmer Wardrobe/Media Center — Parts List (cont.)



ZC — Spacer — Qty. 1



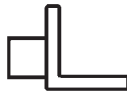
ZP — #8x1" Pan Head Screw — Qty. 9



ZU — #6x5/8" Philtruss Screw — Qty. 27



ZE — #8x1 3/4" Pan Head Screw — Qty. 4



ZK — Shelf Bracket — Qty. 4



ZQ — Door Skirt — Qty. 1



ZF — #8x1" Machine Screw — Qty. 2



ZL — #6x1/2" Unercut Screw — Qty. 4



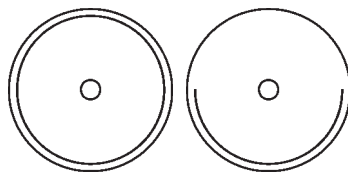
ZR — #8x1 1/4" Machine Screw — Qty. 4



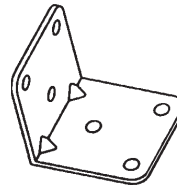
ZV — Rafix Cam — Qty. 4



ZG — Tack Glide — Qty. 2



ZM — Clothes Bar Support — Qty. 1 Set



ZS — Right Angle Bracket — Qty. 2



ZW — Rafix Bolt — Qty. 4



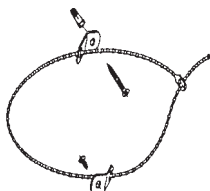
ZH — #8x7/8" LoProfile Screw — Qty. 8



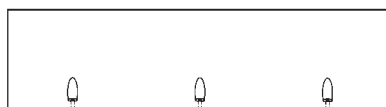
ZN — Clothes Bar — Qty. 1



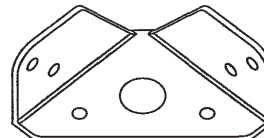
ZX — Knob — Qty. 6



ZI — Furniture Tipping Restraint — Qty. 1



Z1 — Shelf Leg — Qty. 2

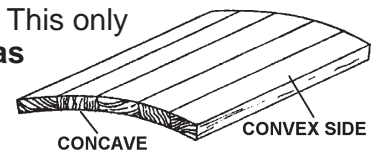


ZT — 3 Sided Bracket — Qty. 2

SPECIAL INSTRUCTIONS

If a top or panel should become cupped, do not be alarmed. The panel was flat when it was manufactured. It is a natural characteristic of wood in an unfinished state to cup from uneven moisture conditions. The figure at the right shows an exaggerated view of what could happen. This only means that the **convex side has absorbed moisture**, or the **concave side has dried out**.

Usually a cupped panel will equalize and straighten out if both sides are exposed to similar conditions for a day or so.



IMPORTANT:

We recommend finishing the unit before final assembly. Before finishing, read enclosed finishing hints.

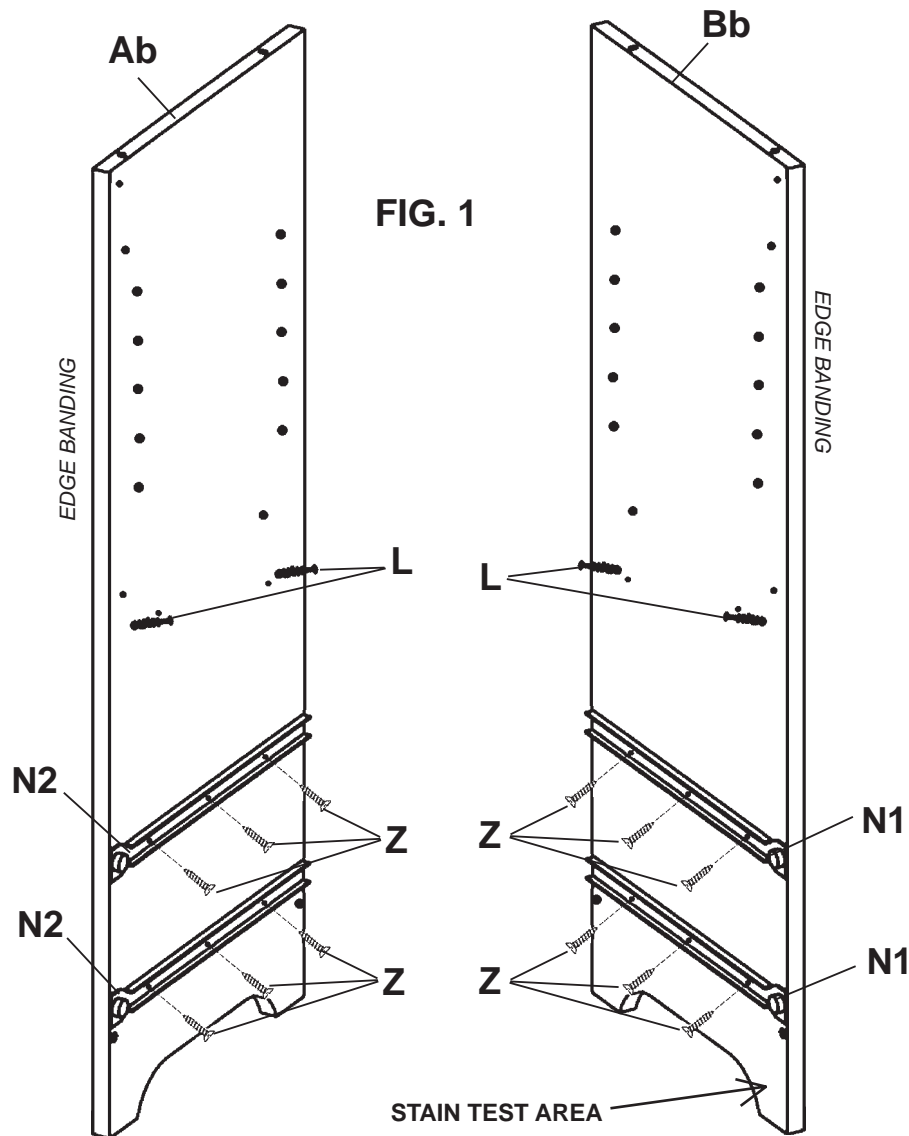
NOTE: Due to the fact that more than one type of hardwood is used, we recommend testing for desired color.

To test for desired color on:

- Veneer parts—apply stain to unexposed portion of side panel. See FIGURE 1A.
- Alder pieces—apply stain to back of base. See FIGURE 5C.

589Wb Palmer Wardrobe/Media Center ASSEMBLY INSTRUCTIONS

TOOLS REQUIRED: Phillips Head Screwdriver, Tape Measure, Hammer, Wood Glue,
3/16" Drill Bit and Drill.



The side panels have a compression stamp on the bottom edge:
"L" for left, "R" for right.

The drawer slides will be stamped with an "L" for left or an "R" for right in the center of the wheels. Or they will be stamped about 3" from the wheel with: "CL" for cabinet left; "DL" for drawer left; "CR" for cabinet right; "DR" for drawer right.

READ THE CAM LOCK SYSTEM INSTRUCTIONS ON THE ENCLOSED SHEET AT THIS TIME.

- 1) Install Drawer Slides using #6x5/8" Undercut Screws (Z) in the two pre-punched holes in the following pieces:
 - Two Drawer Slides (Cabinet Side Right) [N1] on the Right Side (Bb)
 - Two Drawer Slides (Cabinet Side Left) [N2] on the Left Side (Ab)
 Insert a third screw in one of the center holes in each of the slides. See FIGURE 1. The drawer slides will be slightly back from the front edge.

 Install Cam Connectors (L) in the pre-drilled holes in the following pieces:
 - Two in the Left Side (Ab)
 - Two in the Right Side (Bb)

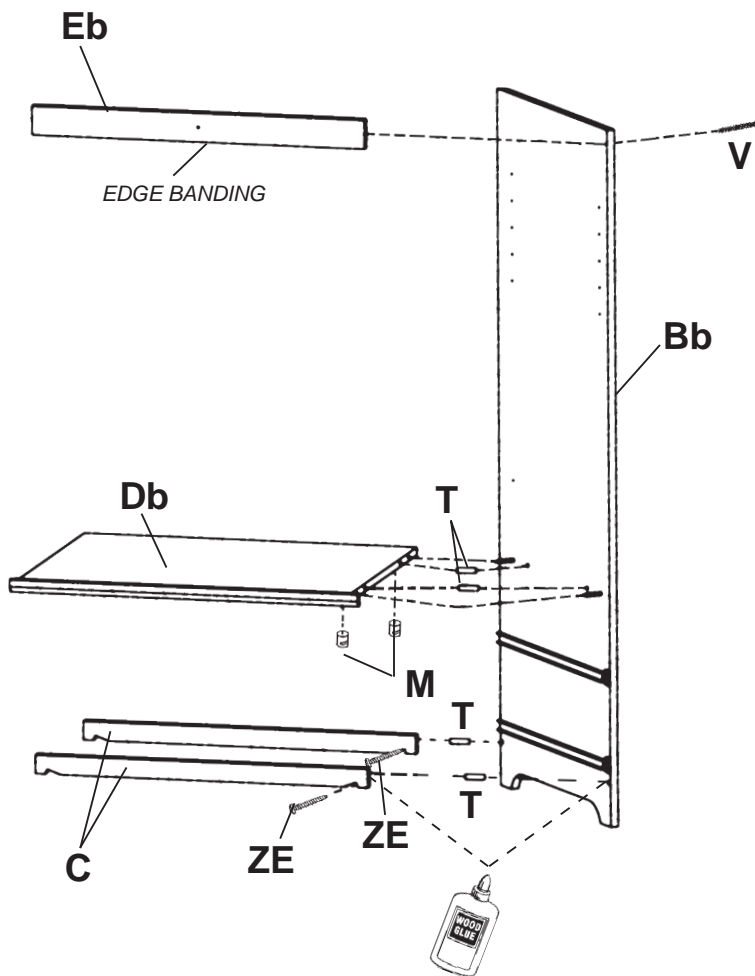


FIG. 2

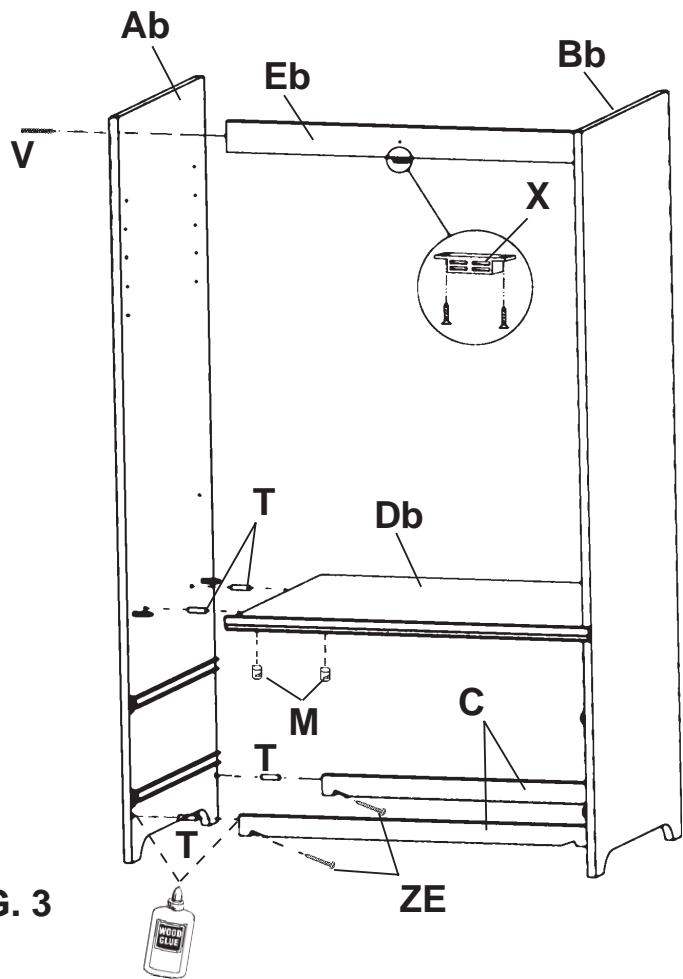


FIG. 3

- 2) Glue two Dowels (T) for Sleepers (C) into Right Side (Bb). Glue the two Sleepers (C) onto the dowels in the Right Side (Bb). The notches in the Sleepers should face toward the bottom of the unit and the outer edges should be flush with the edges of the Sides. Insert #8x1³/₄" Pan Head Screws (ZE) into the holes in the notches and fasten to the Right Side. See FIGURE 2.

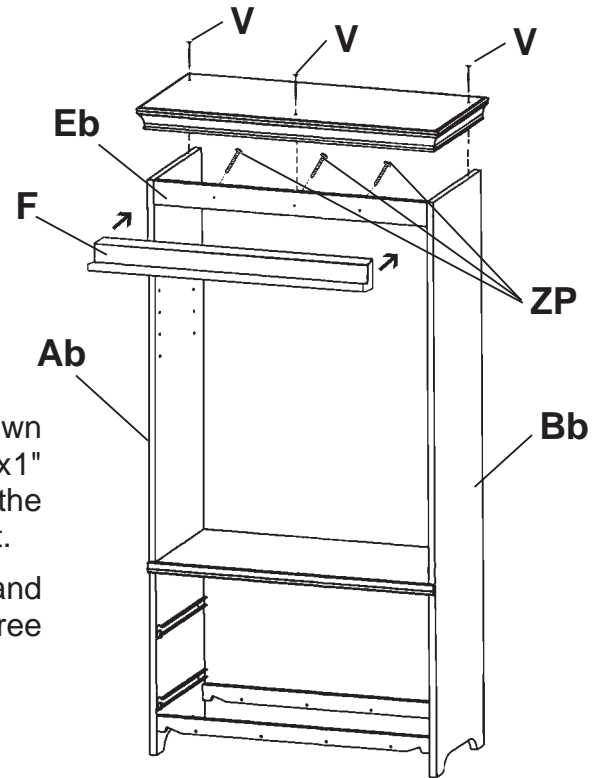
Glue two Dowels (T) for Center Shelf (Db) into the Right Side (Bb). Attach the Center Shelf (Db) to the Right Side (Bb) using the dowels and two Cam Connectors (L) and Cam Housings (M). The moulding must face the front. See FIGURE 2.

Attach the Crown (Eb) to the Right Side (Bb). Insert a #8x1⁵/₈" Black Screw (V) through the hole in the Right Side into the hole in the end of the Crown. The edge banding should face down.

- 3) Glue two Dowels (T) for Sleepers (C) and two for Center Shelf (Db) into the Left Side (Ab). Attach the Left Side (Ab) to the Sleepers (C), Center Shelf (Db), and Crown (Eb). The sleepers use dowels and #8x1³/₄" Pan Head Screws (ZE); the center shelf uses dowels and Cam Housings (M); and the crown uses a #8x1⁵/₈" Black Screw (V). See FIGURE 3.

Attach the Magnetic Catch (X) to the bottom edge of the Crown centered side to side and flush with the front edge. Use the pan head screws contained in the package.

FIG. 4



- 4) Attach the Crown Spacer (F) to the front of the Crown (Eb) flush with the top edge and sides, with three #8x1" Pan Head Screws (ZP) through the predrilled holes in the crown. The lip on the Spacer must be to the lower front.

Lower the Top Assembly (G) onto the Sides (Ab & Bb) and attach by inserting #8x1⁵/₈" Black Screws (V) into the three holes in the Top and fasten securely. See FIGURE 4.

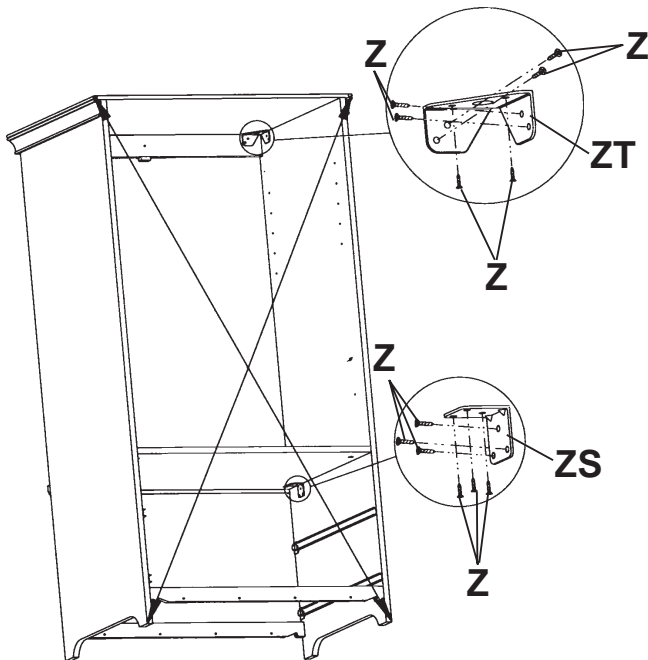


FIG. 5A

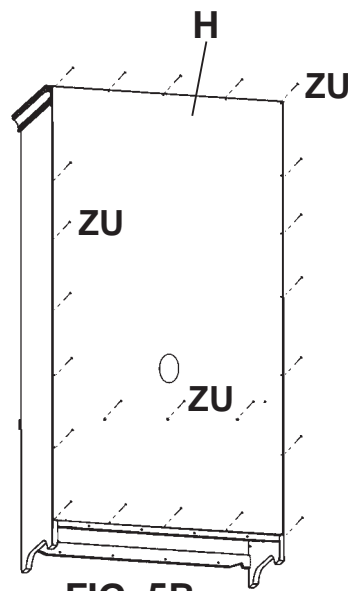


FIG. 5B

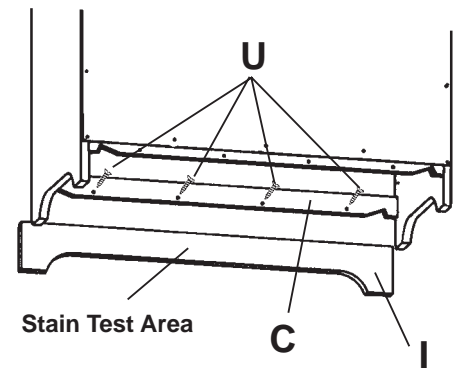


FIG. 5C

- 5) With the unit lying face down, measure from top left to bottom right and from top right to bottom left. If the unit is square, the measurements will be equal. If one is longer, tap the bottom of the side panel on the longer side until equal. See FIGURE 5A.

Attach a Right Angle Bracket (ZS) to each side panel and bottom of center shelf about 1/2" behind the front cam housings. Use #6x5/8" Undercut (type 17) Screws (Z). See FIGURE 5A.

Attach a 3 Sided Bracket (ZT) to each inside front corner with two #6x5/8" Undercut (type 17) Screws (Z) into the crown, top, and each side panel. See FIGURE 5A.

Lay the Back (H) on the unit so that it can be fastened to the Sides, Top, Center Shelf and Sleeper with #6x5/8" Philtruss Screws (ZU) through the predrilled holes in the back. See FIGURE 5B.

Slide the Base (I) under the lower end of the sides until it is flush with the bottom. Fasten in place with four #8x1¹/₄" Black Screws (U) through the holes in the front Sleeper (C). See FIGURE 5C.

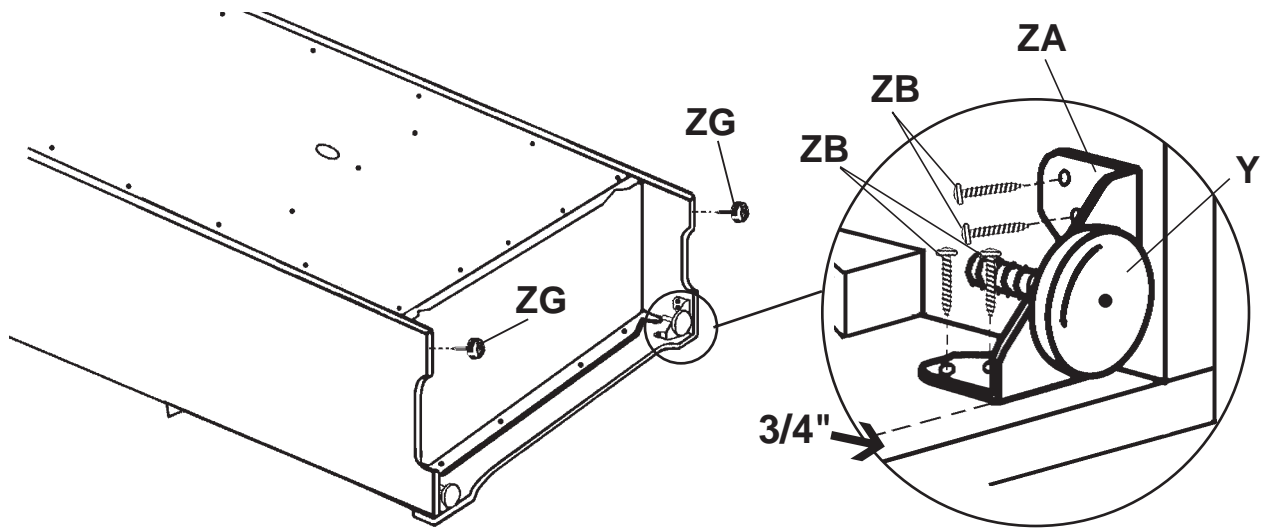


FIG. 6

- 6) Hammer the Tack Glides (ZG) into the side panels near the back. Measure up 3/4" from the bottom of the unit on the back side of the base where it meets the side panel and draw a short line. Lay the Corner Brace (ZA) so that its bottom edge is on the line and screw that brace to the base and side panel with #8x5/8" Pan Head Screws (ZB). See FIGURE 6. Screw Adjustable Glides (Y) into corner braces.

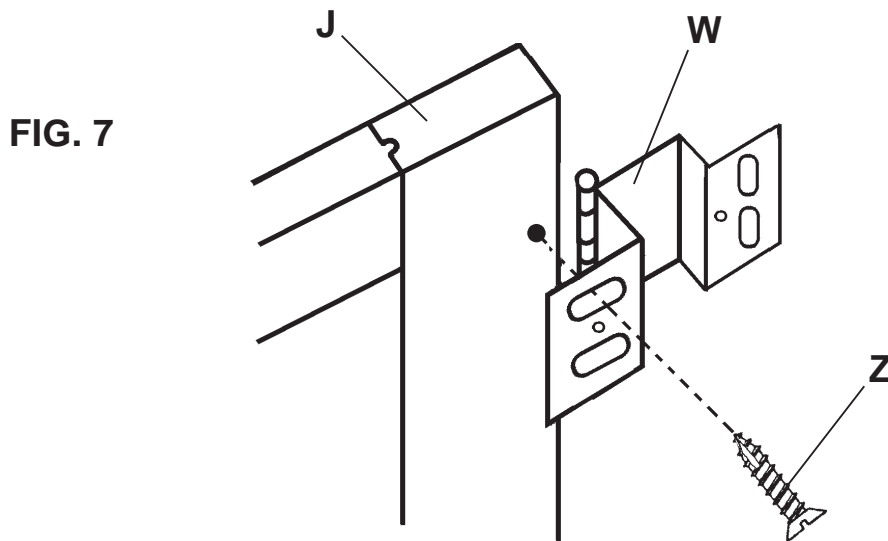


FIG. 7

- 7) Attach the Hinges (W) to the Doors (J) with #6x5/8" Undercut (type 17) Screws (Z). The outermost hole in the hinge must go over the pre-punched hole in the door.

Attach the Knob (ZX) using the #8x1" Machine Screw (ZF).

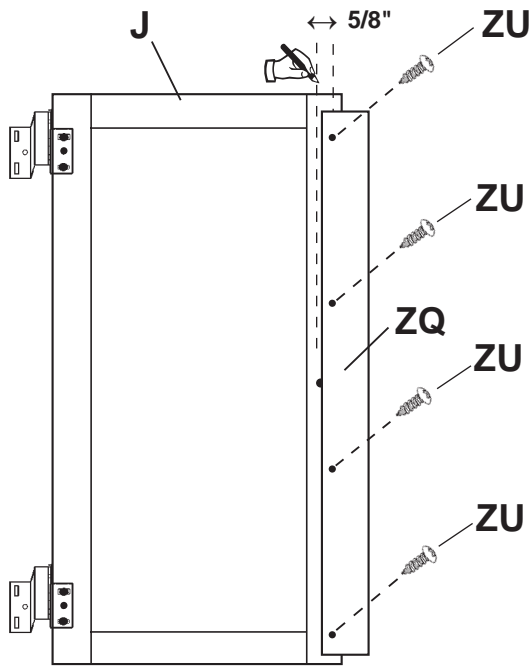


Figure shows installing skirt on right door.

FIG. 8

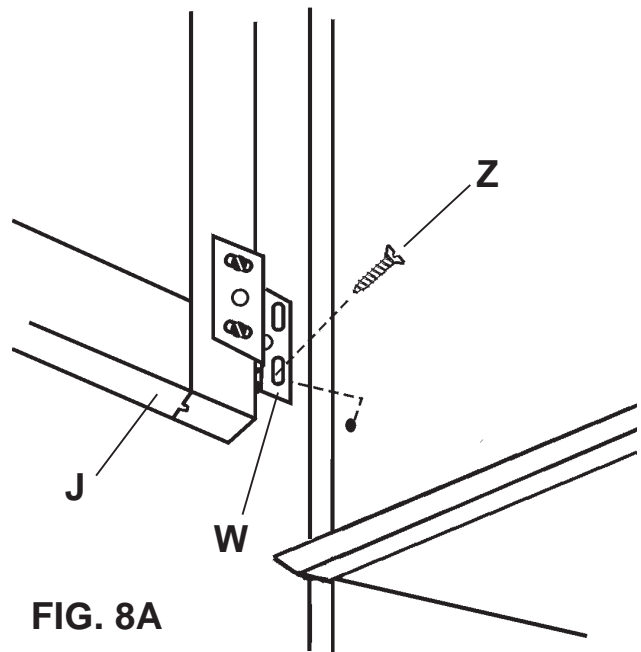


FIG. 8A

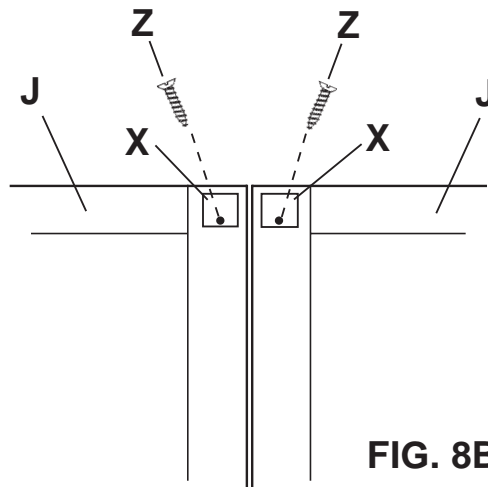


FIG. 8B

- 8) Attach the Door Skirt (ZQ) to either the left or right door, depending on which side you would like to open first. With the door laying face down, measure in 5/8" from the outside edge and draw a light line. Lay the Door Skirt (ZQ) on the line, flush with the bottom edge of the door. Attach the Skirt to the door with four #6x5/8" Philtruss Screws (ZU) through the predrilled holes in the skirt. See FIGURE 8.

With the unit standing upright, attach the doors to the sides with #6x5/8" Undercut (type 17) Screws (Z). The pre-punched holes in the Sides will show the location of the uppermost hole in the upper hinge and the lowermost hole in the lower hinge. Insert the screws in the middle of the elongated hinge holes to allow for adjustment if necessary. Do not insert screws in the round screw holes until after final adjustments have been made. Open and close doors to check for proper alignment. If some adjustment is necessary, loosen the screws and move the doors. See FIGURE 8A.

Attach the Magnetic Catch Plates (X) to the upper inside corner of the doors where they will make contact with the magnetic catch. See FIGURE 8B.

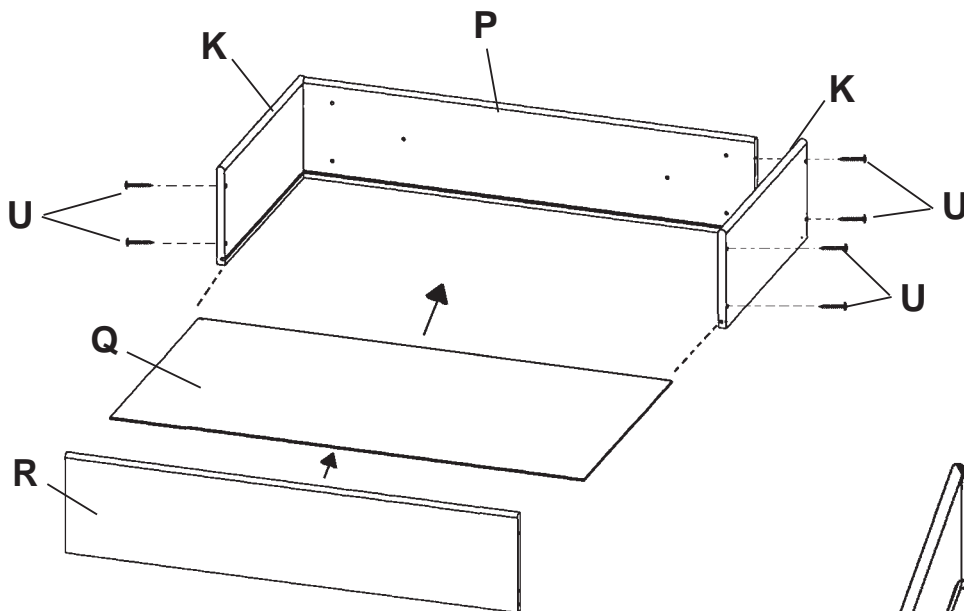


FIG. 9A

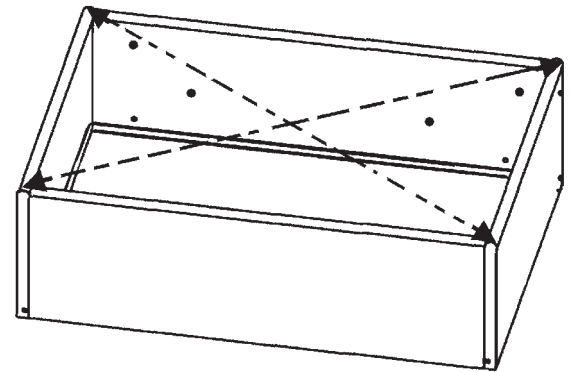


FIG. 9B

- 9)** Attach two Drawer Sides (K) to the Drawer False Front (P) with #8x1¼" Black Screws (U) through the pre-drilled holes in the sides. The grooves for the Drawer Bottom must line up. Slide the Drawer Bottom (Q) into the grooves. Attach the Drawer End (R) to the Sides in the same manner. See FIGURE 9A. Repeat the above steps for the other Drawer.

Square the drawers by measuring from left front to right rear and from right front to left rear. The measurements should be equal. If one is longer, hold the drawer by the corners on the longest line and squeeze them together until square. See FIGURE 9B.

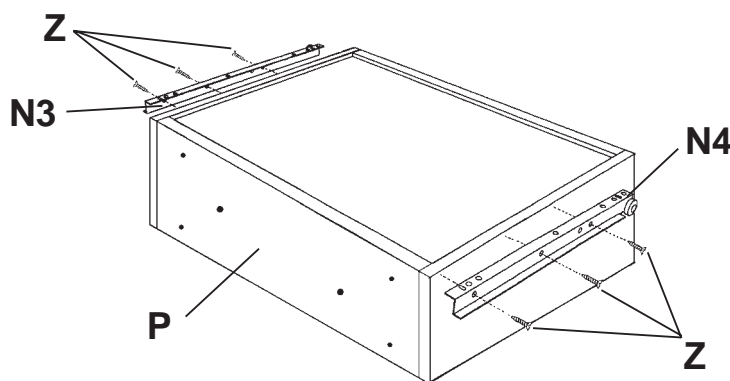
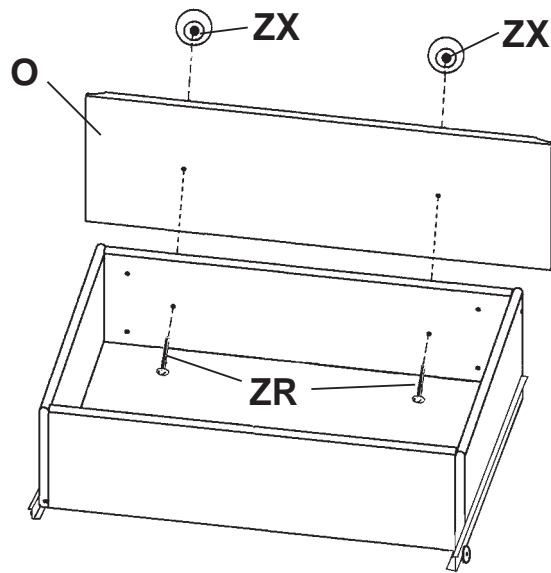


FIG. 10

- 10)** Attach Drawer Slides (Drawer Side Left) [N4] and (Drawer Side Right) [N3] to the drawers. The wheels should be to the rear and the front edge should be flush with drawer side. Attach the slides with three #6x5/8" Undercut Screws (Z). The slides will not reach the back of the drawer. See FIGURE 10.

FIG. 11



11) Attach the two Drawer Faces (O) to the Drawers. Insert the #8x1¼" Machine Screws (ZR) through the center holes in the Drawer False Front and **LOOSELY** fasten the Knob (ZX). See FIGURE 11. **DO NOT INSERT LOPROFILE SCREWS (ZH) AT THIS TIME.**

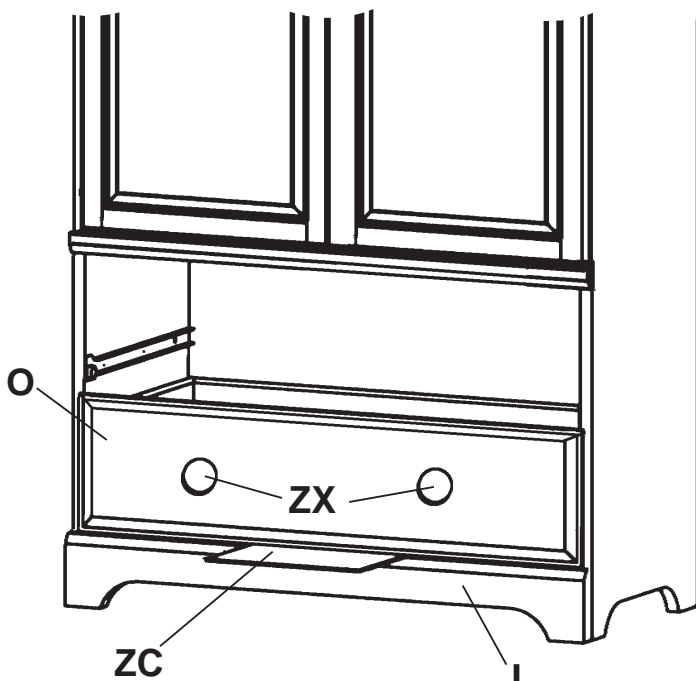


FIG. 12A

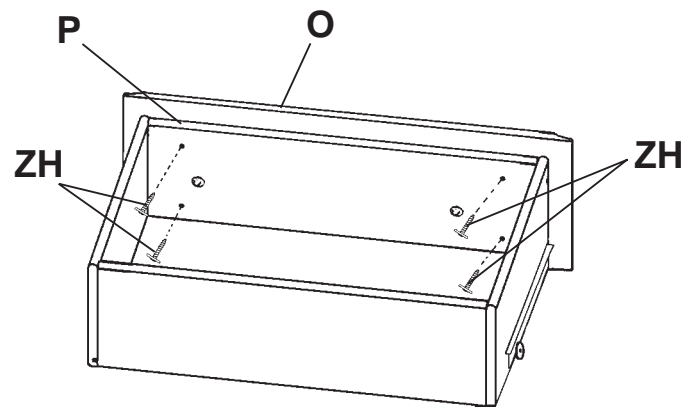
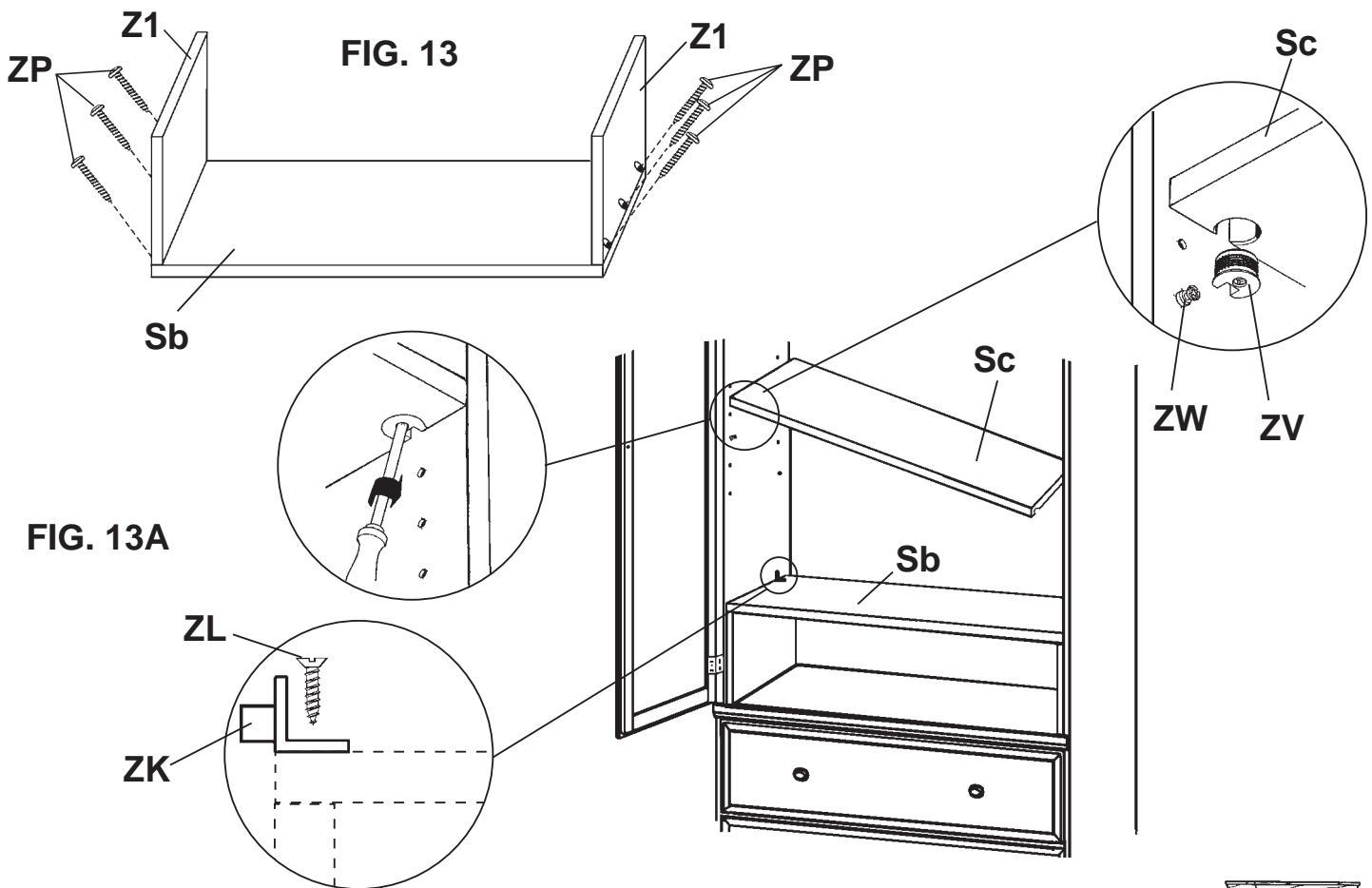


FIG. 12B

12) Install the bottom drawer in the unit. Make sure that the Knobs (ZX) are loose enough to allow the Drawer Face to move freely on the Drawer False Front. Adjust the bottom Drawer Face (O) on the Drawer False Front (P) so that it is centered side to side, and using the Spacer (ZC), 1/8" above the top of the Base (I). See FIGURE 12A. Tighten the Knobs (ZX) to eliminate any shifting of the Face. Insert four #8x7/8" LoProfile Screws (ZH) through the holes in the Drawer False Front (P) and fasten securely. See FIGURE 12B.

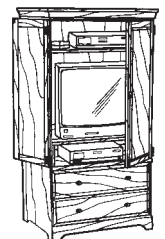
Repeat the above steps for the other drawer. There should be a 1/8" gap between the drawers to allow for proper functioning of the drawer slides.

If necessary, adjust the hinges on the doors so that they line up with the drawers. Insert the remaining Screws (Z) in the round holes in the hinges at this time.



IF YOU WISH TO USE THE UNIT AS A MEDIA CENTER:

13) There are two Legs (Z1) that can be attached to the Lower Adjustable Shelf (Sb) to make a stand for a TV with VCR sitting below it on the Center Shelf. This is optional. The lower adjustable shelf may be placed in other locations using the Shelf Brackets (ZK).



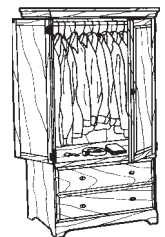
To build the shelf, lay the Lower Adjustable Shelf (Sb) face down on a protected surface and attach both Legs (Z1) flush with the front edge and side, with three #8x1" Pan Head Screws (ZP) through the pocket drilled holes in the Legs. See FIGURE 13. The shelf will sit about 1" from the back to allow cords to pass behind it.

Slide the shelf assembly into the unit **ABOVE** the bottom hinges and lower into place so that the legs cover the hinges. Two Shelf Brackets (ZK) are to be mounted above the shelf in the rear corners and fastened with #6x1/2 Undercut Screws (ZL) to prevent any chance of tipping. See FIGURE 13A. Two shelf brackets and screws will not be used.

Tap four Rafix Cams (ZV), with notch facing the edge, into the holes in bottom of Upper Adjustable Shelf (Sc). Insert four Rafix Bolts (ZW) in the side panels at the Level where you want the shelf. Lower the Rafix Cams over the bolts and tighten with a screwdriver through the hole in the bottom of the cam.

IF YOU WISH TO USE THE UNIT AS A WARDROBE:

14) Mount the Clothes Bar Supports (ZM) on the side panels with the screws provided, at the desired location. Insert the Clothes Bar (ZN) in the supports.



15) When you have determined the location for your unit, install the Furniture Tipping Restraint (ZI). Carefully follow the instructions contained on the package.

16) After moving the unit to its location, some adjustment of the glides may be necessary to align the unit because of unevenness of floors and carpeting.

589Wb

Palmer Aparador y Centro de esparcimiento

(para TV y equipo de
audio y video)

Instrucciones para Armar



¡Felicitaciones!

Este fino mueble será una bella adición para su hogar. Para obtener el mejor resultado, comience leyendo tanto las Instrucciones para Armar como las Sugerencias para el Acabado antes de comenzar su proyecto.

Sólo para uso doméstico.

NO se recomienda para uso comercial.



No se suba, no se siente ni se pare sobre este mueble.

No mueva este mueble mientras esté lleno. Vacíelo antes de moverlo.

No cargue en exceso los cajones de este mueble.

Antes de cargar o mover este mueble, compruebe que todos los tornillos y soportes estén apretados.

Para máxima estabilidad, sujete la unidad a la pared utilizando los accesorios que se incluyen y siguiendo las instrucciones.

ESTE DISEÑO ESTÁ SUJETO A CAMBIOS SIN PREVIO AVISO.



P.O. Box 2827
Eugene, OR 97402 USA



¡PRIMERO LLÁMENOS!

NO DEVUELVAN ESTE ARTÍCULO A LA TIENDA

Normas para obtener servicio: Reemplazaremos las piezas que tengan defectos, falten o se dañen durante el armado. Sírvase comunicarse con el departamento de servicio al cliente de Whittier Wood Products directamente (por teléfono, fax, correo o e-mail) para obtener piezas de repuesto.

Horas: Nuestro amable personal de servicio al cliente está disponible de lunes a viernes de 7:00 a.m. a 5:00 p.m. (Hora de la zona del pacífico de Estados Unidos). Puede dejar un mensaje las 24 horas del día, los 7 días de la semana.

Para hacer un pedido: Proporcione el número completo del modelo del mueble (se encuentra en la esquina superior izquierda de esta página), la letra de la pieza, el código de producción, la cantidad que necesita, la razón del reemplazo, y su nombre completo, dirección y teléfono, para el caso de que necesitemos comunicarnos con usted.

Las piezas se envían desde nuestra planta en Eugene, Oregon, 1 ó 2 días hábiles después de recibir su solicitud. Por favor tenga en cuenta que la entrega tomará de 5 a 10 días hábiles.

800-653-3336

Fuera de los Estados Unidos o Canadá: 541-687-0213

Fax: 541-687-2060 • www.whittierwood.com

Correo: P.O. Box 2827 • Oregon 97402, U.S.A.

NOTAS IMPORTANTES:

- Lea por completo las Instrucciones y las Sugerencias para el Acabado antes de comenzar a armar el mueble.
- Guarde los paneles: 1) en su caja, 2) en un sitio seco, 3) en un rango de temperaturas comprendido entre 40° y 90° (no en un piso de cemento frío que tal vez esté húmedo).
- Revise su mobiliario en forma periódica para detectar uniones despegadas, tornillos flojos o cualquier otro problema que pudiera afectar la estabilidad del mismo. Apriete los tornillos o repare las piezas según corresponda.

Código del producto:

Rev. 9/07

589Wb Palmer Aparador y Centro de esparcimiento

LISTA DE PIEZAS

Antes de comenzar el montaje, verifique que el total de piezas recibidas concuerde con la cantidad indicada en la lista que figura a continuación.

	Cantidad		Cantidad		Cantidad
Ab	Lado izquierdo 1	O	Frente del cajón 2	ZG	Tachuela de cabeza redonda. 2
Bb	Lado derecho 1	P	Frente falso del cajón. 2	ZH	Tornillo LoProfile #8x7/8". 8
C	Travesaño 2	Q	Parte inferior del cajón. 2	ZI	Accesorio de restricción que evita que el mueble se ladee. 1
Db	Estante central 1	R	Parte posterior del cajón. 2	ZK	Soporte para estante 4
Eb	Corona 1	Sb	Estante ajustable inferior 1	ZL	Tornillo undercut #6x1/2" 4
F	Espaciador de la corona. 1	Sc	Estante ajustable superior 1	ZM	Soporte de la barra para colgar ropa 1 juego
G	Parte superior 1	T	Espiga de madera 8	ZN	Barra para colgar ropa 1
H	Parte posterior 1	U	Tornillos negros #8x1 1/4" 20	Z1	Montante de estante 2
I	Base 1	V	Tornillos negros #8x1 5/8" 5	ZP	Tornillo de cabeza troncocónica #8x1" 9
J	Puerta 2	W	Bisagra 4	ZQ	Faldón de la puerta. 1
K	Parte lateral del cajón. 4	X	Cierre magnético 1	ZR	Tornillo maquinado #8x1 1/4" 4
L	Conector de leva 4	Y	Pata niveladora. 2	ZS	Soporte en ángulo 2
M	Tuerca de sujeción para leva 4	Z	Tornillo undercut #6x5/8" (tipo 17) 72	ZT	Soporte Triangular 2
N	Guías del cajón (4 piezas) 2 juegos	ZA	Abrazadera para esquina 2	ZU	Tornillo Philtruss 27
N1	– Guía del cajón (lado derecho del gabinete)	ZB	Tornillo de cabeza troncocónica #8x5/8" 8	ZV	Leva Rafix 4
N2	– Guía del cajón (lado izquierdo del gabinete)	ZC	Espaciador 1	ZW	Perno Rafix 4
N3	– Guía del cajón (lado derecho del cajón)	ZE	Tornillo de cabeza troncocónica #8x1 3/4" 4	ZX	Perilla 6
N4	– Guía del cajón (lado izquierdo del cajón)	ZF	Tornillo maquinado #8x1" 2		

INSTRUCCIONES ESPECIALES

Si la tapa o uno de los paneles se pandea, no se preocupe. En el momento de su fabricación los paneles se encontraban planos. La madera no tratada tiene la propiedad natural de arquearse en condiciones variables de humedad. En la figura a la derecha se muestra una representación exagerada de los efectos que se pueden producir. En este caso **el lado convexo ha absorbido humedad** o bien **el lado cóncavo se ha secado**.

Los paneles encorvados suelen emparejarse al cabo de uno o varios días si ambos lados son sometidos a condiciones uniformes.

concave = Cóncavo – convex side = Lado convexo

IMPORTANTE:

Se recomienda pintar la unidad antes de completar el ensamblado.

Antes de aplicar la pintura, lea las sugerencias adjuntas.

NOTA: Debido a que se utilizan diferentes tipos de madera, se recomienda efectuar una prueba de color.

Procedimientos para la prueba de color:

a) Piezas con chapa de madera: aplique pintura en una porción del panel lateral que no quedará expuesto a la vista.

Véase la FIGURA 1.

b) Piezas de madera de aliso: aplique pintura en la parte posterior de la base. Véase la FIGURA 5C.

INSTRUCCIONES PARA ENSAMBLADO

HERRAMIENTAS NECESARIAS:

Destornillador Phillips, cinta para medir, pegamento para madera, taladro y broca de 3/16", y martillo.

Fig. 1a –

*Edge Banding = Borde Terminado
Stain test area = Área de ensayo del coloran*

Panel lateral “L” Izquierdo, “R” Derecho debe tener el lado con la locia abajo.

Las guías del cajón del lado izquierdo estarán marcadas con una “L” y las del lado derecho con una “R”, en el centro de las ruedas. O bien, estarán marcadas a aproximadamente 3" de la rueda con “CL” para el lado izquierdo del gabinete, “DL” para el lado izquierdo del cajón, “CR” para el lado derecho del gabinete y “DR” para el lado derecho del cajón.

ANTES DE PROSEGUIR, LEA LAS INSTRUCCIONES PARA EL FUNCIONAMIENTO DEL SISTEMA DE SUJECCIÓN DE CONECTORES DE LEVA EN LA HOJA ADJUNTA.

- 1) Instale las guías del cajón, utilizando los tornillos undercut #6x5/8" tipo 17 (Z) en los orificios que se encuentran en las siguientes piezas:

2 guías del cajón (lado derecho del gabinete) [N1] en el lado derecho (Bb)

2 guías del cajón (lado izquierdo del gabinete) [N2] en el lado izquierdo (Ab).

Inserte un tercer tornillo en uno de los orificios centrales de cada una de las guías. Vea la FIGURA 1. Las guías del cajón quedan ligeramente más atrás que el borde frontal.

Instale los conectores de leva (L) en los orificios que se encuentran en las siguientes piezas:

2 en el lado izquierdo (Ab); 2 en el lado derecho (Bb).

Fig. 2 – Edge Banding = Borde Terminado

- 2) Aplique pegamento a los espigas de madera (T) para adherirlos en los orificios del panel derecho (Bb). Aplique pegamento en los espiga de madera (T) para introducirlos los travesaño (C) y estante central (Db). Las muescas de los travesaño deben orientarse hacia la parte inferior del mueble y las orillas exteriores deben estar al ras del borde de los paneles laterales. Introduzca tornillos de cabeza troncocónica #8 x 1 3/4 pulgadas (ZE) en los orificios de las muescas y fije el panel derecho. Véase la FIGURA 2.

Instale el estante central (Db) al lado derecho (Bb), utilizando 2 espigas de madera (T), 2 conectores de leva (L) y tuercas de sujeción para leva (M). El borde con moldura debe quedar hacia el frente. Vea la FIGURA 2.

Instale la corona (Eb) al lado derecho (Bb). Inserte un tornillo negro #8x1 5/8" (V) a través del orificio del lado derecho y dentro del orificio que se encuentra en el borde de la corona. El borde terminado debe quedar hacia abajo.

- 3) Aplique pegamento en los espigas de madera (T) para introducirlos en los orificios del Panel Izquierdo (Ab) Sujete el lado izquierdo (Ab) a los travesaños (C), estante central (Db) y corona (Eb). Los travesaños utilizan espigas de madera y tornillos de cabeza troncocónica #8x1 3/4" (ZE); el estante central utiliza tuercas de sujeción para leva (M); y la corona utiliza un tornillo negro #8x1 5/8" (V). Vea la FIGURA 3.

Instale el cierre magnético (X) al borde inferior de la corona, centrándolo de lado a lado y al ras con el borde frontal. Utilice los tornillos de cabeza troncocónica que se incluyen en el paquete.

- 4) Instale el espaciador de la corona (F) al frente de la corona (Eb) de manera que quede al ras con el borde superior y los lados, utilizando tres tornillos de cabeza troncocónica #8x1" (ZP) a través de los orificios que se encuentran en la corona. El reborde del espaciador debe quedar hacia el frente y hacia abajo.

Coloque la parte superior (G) sobre los lados (Ab y Bb) y sujete insertando tres tornillos negros #8x1 5/8" (V) dentro de los tres orificios que se encuentran en la parte superior y apriete firmemente. Vea la FIGURA 4.

Fig. 5A – Stain test area = Área de ensayo del colorante

- 5) Con la unidad boca abajo, mida la distancia desde la esquina superior izquierda hasta la esquina inferior derecha y desde la esquina superior derecha hasta la esquina inferior izquierda. Si las dos medidas son iguales, la unidad está cuadrada. Si una medida es más grande, de ese lado golpee la parte inferior del panel lateral hasta que las medidas sean iguales.

Utilice tornillos undercut #6x5/8" tipo 17 (Z) para fijar una escuadra (ZS) a la entrepaño central y a cada panel lateral. Véase la FIGURA 5A.

Utilice tornillos undercut #6x5/8 pulgadas (tipo 17) (Z) para fijar una soporte triangular (ZT) a la tapa, la corona y a cada panel lateral.

Coloque la parte posterior (H) sobre la unidad de manera que se pueda sujetar a los lados, a la parte superior, al estante central y al travesaño con los tornillos Philtruss (ZU) a través de los orificios que se encuentran en la parte posterior. Vea la FIGURA 5B.

Deslice la base (I) debajo del extremo inferior de los lados hasta que quede al ras con la parte inferior. Sujete en su lugar utilizando cuatro tornillos negros #8x1 1/4" (U) a través de los orificios que se encuentran en el travesaño frontal (C). FIGURA 5C.

- 6) Con un martillo instale las tachuelas de cabeza redonda (ZG) en los paneles laterales cerca de la parte posterior. Mida 3/4" desde la parte inferior de la unidad sobre el lado posterior de la base donde topa con el panel lateral y dibuje una línea corta. Coloque la abrazadera para esquina (ZA) de manera que su borde inferior esté sobre la línea y atornille la abrazadera a la base y al panel lateral con tornillos de cabeza troncocónica #8x5/8" (ZB). Vea la FIGURA 6. Atornille las patas niveladoras (Y) en las abrazaderas para esquina.

- 7) Instale las bisagras (W) a las puertas (J) con tornillos undercut #6x5/8" tipo 17 (Z). El orificio más cercano al borde de la bisagra debe ir sobre el orificio que se encuentra en la puerta.

Instale la perilla (ZX) utilizando el tornillo maquinado #8x1" (ZF). Deseche el tornillo que viene en el juego de perillas.

FIG. 8 – La figura muestra la instalación en la puerta derecha.

- 8) Instale el faldón de la puerta (ZQ), a la puerta derecha o a la izquierda, dependiendo de que lado desea que se abra primero. Con la puerta boca abajo, mida 5/8" desde el borde exterior y dibuje una línea delgada. Coloque el faldón de puerta (ZQ) sobre la línea, al ras con el borde inferior de la puerta. Sujete el faldón a la puerta con cuatro tornillos Philtruss (ZU) a través de los orificios que se encuentran en el faldón. Vea la FIGURA 8.

Con la unidad en posición vertical, instale las puertas a los lados con tornillos undercut #6x5/8" tipo 17 (Z). Los orificios que se encuentran en los lados muestran la ubicación del orificio superior de la bisagra superior y el orificio inferior de la bisagra inferior. Inserte los tornillos en el medio de los orificios ovalados de la bisagra a fin de permitir ajustes si fueran necesarios. No inserte tornillos en los orificios redondos hasta después de realizar los ajustes finales. Abra y cierre las puertas para asegurarse que estén bien alineadas. Si es necesario ajustar, afloje los tornillos y mueva las puertas. Vea la FIGURA 8A.

Instale las placas del cierre magnético (X) a la esquina superior e inferior de las puertas donde las puertas harán contacto con el cierre magnético. Vea la FIGURA 8B.

- 9) Instale dos lados de cajón (K) a cada frente falso de cajón (P) con dos tornillos negros #8x1¼" (U) a través de los orificios que se encuentran en los lados del cajón. Las ranuras para la parte inferior del cajón deben quedar alineadas. Deslice la parte inferior del cajón (Q) sobre la ranura. De la misma manera, instale la parte posterior del cajón (R) a los lados. Repita los pasos anteriores para el otro cajón. Vea la FIGURA 9A.

Encuadre los cajones midiendo desde la esquina delantera izquierda hasta la esquina trasera derecha y desde la esquina delantera derecha hasta la esquina trasera izquierda. Las medidas deben ser iguales. Si una es más grande, sostenga el cajón de las esquinas con medida más grande y acérquelas, hasta que el cajón quede cuadrado. Vea la FIGURA 9B.

- 10) Instale las guías de cajón (guía izquierda del cajón) [N4] y (guía derecha del cajón) [N3] a cada cajón. Las ruedas deben quedar hacia la parte posterior y el borde frontal debe quedar al ras con el lado del cajón. Sujete las guías con tres tornillos undercut #6x5/8" tipo 17 (Z). Las guías no llegan hasta la parte posterior del cajón. Vea la FIGURA 10.
- 11) Instale los dos frentes de los cajones (O) a los cajones. Inserte los tornillos maquinados #8x1¼" (ZR) a través de los orificios en los frentes falsos del cajón, a través de los frentes del cajón e instale las perillas (ZX), pero DEBEN QUEDAR FLOJAS. Vea la FIGURA 11. EN ESTE MOMENTO NO INSERTE LOS TORNILLOS LOPROFILE (ZH).
- 12) Instale el cajón inferior a la unidad. Asegúrese de que la perilla (ZX) esté lo suficientemente floja para que el frente del cajón se pueda mover libremente sobre el frente falso del cajón. Ajuste el frente del cajón inferior sobre el frente falso (P) de manera que quede centrado de lado a lado y utilizando el espaciador (ZC), 1/8" sobre la base (I). Vea la FIGURA 12A. Apriete la perilla (ZX) para que el frente no se mueva. Inserte cuatro tornillos LoProfile #8x7/8" (ZH) a través de los orificios que se encuentran en el frente falso del cajón (P) y apriete firmemente. Vea la FIGURA 12B.

Repita los pasos anteriores para el otro cajón. Debe haber un espacio de 1/8" entre los cajones para que las guías de los cajones funcionen correctamente.

Si es necesario, ajuste las bisagras de las puertas para que queden alineadas con los cajones. En este momento, inserte los tornillos undercut #6x5/8" tipo 17 (Z) restantes en los orificios redondos de las bisagras.

Si desea utilizar la unidad como un centro de esparcimiento (para TV y equipo de audio y video):

- 13) Los dos montantes (Z1) se pueden instalar en el estante ajustable (Sb) para que funcione como estante para T.V. con el equipo de video sobre el estante central. Esto es opcional. El estante ajustable inferior (Sb) pueden instalarse en otros lugares utilizando los soportes para estantes (ZK).

Para sujetar los montantes al estante, coloque el estante ajustable inferior (Sb) boca abajo sobre una superficie suave e instale los dos montantes (Z1) al ras con el borde frontal y el lado, utilizando tres tornillos de cabeza troncocónica #8x1" (ZP) a través de los orificios tipo cavidad que se encuentran en los montantes. Vea la FIGURA 13. El estante quedará a aproximadamente 1" de la parte posterior para permitir el paso de cables.

Deslice el estante en la unidad arriba de las bisagras inferiores y bájelo a su lugar de manera que los montantes cubran las bisagras. Los soportes para estante se deben instalar arriba del estante en las esquinas traseras, con tornillos undercut #6x1/2" (ZL) para evitar que el estante se ladee. Vea la FIGURA 13A. Dos de los soportes para estante y tornillos no se utilizarán.

Inserte con un martillo cuatro Levas Rafix (ZV) en los orificios que se encuentran en la parte inferior del Estante Ajustable Superior (Sc). Inserte cuatro Pernos Rafix (ZW) en los paneles laterales al nivel donde desee poner el estante. Baje el estante colocando las Levas Rafix sobre los pernos y apriete con un destornillador a través del orificio de la parte inferior del adaptador.

SI DESEA UTILIZAR LA UNIDAD COMO UN ROPERO:

- 14) Instale los soportes de la barra para colgar ropa (ZM) en los paneles laterales con tornillos en el lugar deseado. Inserte la barra para colgar ropa (ZN) dentro de los soportes.
- 15) Cuando haya determinado el lugar donde va a colocar la unidad, instale el accesorio de restricción que evita que el mueble se ladee (ZI). Con cuidado, siga las instrucciones que vienen en el paquete.
- 16) Después de mover la unidad a su lugar, puede ser necesario ajustar las patas niveladoras para nivelar la unidad debido al desnivel que puede haber en pisos y alfombras.

589Wb

Palmer Armoire et Centre de médias

Instructions de Montage



Félicitations !

Ce joli meuble s'intégrera agréablement à votre intérieur. Pour obtenir des résultats optimum, commencez par lire les Instructions de Montage et les Conseils de Finition avant de commencer votre projet.

**Pour usage ménager normal seulement.
N'est pas recommandé pour usage commercial.**



Ne pas monter, s'asseoir ni se mettre debout sur cet article d'ameublement.

Ne pas déplacer cet article d'ameublement s'il est chargé. Le décharger avant de le déplacer.

Ne pas surcharger les tiroirs de cet article d'ameublement.

Avant de charger ou de déplacer cet article d'ameublement, vérifier si toutes les vis et tous les supports sont solidement attachés.

Pour une stabilité maximum, fixez l'unité au mur à l'aide du petit outillage fourni, en suivant les instructions.

LE MODÈLE EST SUJET À CHANGEMENTS SANS PRÉAVIS.



P.O. Box 2827
Eugene, OR 97402 USA



APPELEZ-NOUS D'ABORD !

NE RETOURNEZ PAS CET ARTICLE AU MAGASIN

Politique de service : Nous remplacerons toutes les pièces défectueuses, manquantes ou endommagées pendant le montage. Veuillez contacter directement le service clientèle de Whittier Wood Products (par téléphone, fax, courrier ou e-mail) pour obtenir les pièces de remplacement.

Horaires : Le personnel accueillant de notre service clientèle est joignable du lundi au vendredi, de 7 h à 17 h (heure normale du Pacifique). Vous pouvez laisser un message 24 heures sur 24, 7 jours sur 7.

Pour placer vos commandes : Fournissez le numéro complet de modèle du meuble (angle supérieur gauche de cette page), la lettre de la pièce, le code de production, la quantité nécessaire, la raison du remplacement, ainsi que votre nom complet et votre adresse, avec un numéro de téléphone, au cas où nous aurions besoin de vous contacter.

Les pièces sont expédiées de notre usine située à Eugene, Oregon dans les 1 ou 2 jours ouvrables à compter de la réception de votre demande. La livraison prendra de 5 à 10 jours ouvrables.

800-653-3336

À l'extérieur des États-Unis ou du Canada : 541-687-0213

Fax : 541-687-2060 • www.whittierwood.com

Courrier : P.O. Box 2827 • Oregon 97402, U.S.A.

REMARQUES IMPORTANTES :

- Lisez complètement les instructions et les Conseils de finition avant de commencer le montage.
- Conservez les panneaux : 1) dans leur boîte, 2) à un endroit sec, 3) à des températures variant entre 40° et 90°. (Non sur un sol en ciment froid, éventuellement humide.)
- Inspectez régulièrement votre meuble, pour voir si les pièces se décollent ou si les vis se desserrent ou si vous remarquez tout autre problème risquant d'affecter la stabilité du meuble. Resserrez ou réparez au besoin.

Code produit :

Rév. 9/07

589Wb Palmer Armoire et Centre de médias

Nomenclature des pièces

AVANT DE COMMENCER L'ASSEMBLAGE, vérifiez si la quantité des pièces reçues correspond à la liste ci-dessous.

	Qté		Qté		Qté			
Ab	Côté gauche	1	N 3	Glissière de tiroir (côté droit du tiroir)		ZC	Entretoise	1
Bb	Côté droit	1	N 4	Glissière de tiroir (côté gauche du tiroir)		ZE	Vis à tête bombée n° 8x1¼ po	4
C	Traverse	2	O	Face avant du tiroir	2	ZF	Vis à métaux n° 8x1 po	2
Db	Étagère du milieu	1	P	Faux avant du tiroir	2	ZG	Punaise	2
Eb	Couronne	1	Q	Fond du tiroir	2	ZH	Vis LoProfile n° 8x7/8 po	8
F	Plaque d'espacement de couronne	1	R	Extrémité du tiroir	2	ZI	Corde de retenue de meubles	1
G	Ensemble supérieur	1	Sb	Étagère réglable inférieur	1	ZK	Support d'étagère	4
H	Arrière	1	Sc	Étagère réglable supérieur	1	ZL	Vis en undercut n° 6x1/2 po	4
I	Base	1	T	Goujon	8	ZM	Support de barre à vêtements	1 jeu
J	Porte	2	U	Vis noires n° 8x1¼ po	20	ZN	Barre à vêtements	1
K	Côté de tiroir	4	V	Vis noires n° 8x1⅝ po	5	Z1	Pied d'étagère	2
L	Connecteur de came	4	W	Charnière	4	ZP	Vis à tête bombée n° 8x1 po	9
M	Boîtier de came	4	X	Loquet aimanté	1	ZQ	Jupe de porte	1
N	Glissières de tiroir (4 pièces)	2 jeux	Y	Glissière réglable	2	ZR	Vis à métaux n° 8x1¼ po	4
	N 1 – Glissière de tiroir (côté droit de l'armoire)		Z	Vis undercut n° 6x5/8 po (type 17)	72	ZS	Support en coin	2
	N 2 – Glissière de tiroir (côté gauche de l'armoire)		ZA	Cornière d'immobilisation	2	ZT	Support Triangulaire	2
			ZB	Vis à tête bombée n° 8x5/8 po	8	ZU	Vis Philtruss	27
						ZV	Came Rafix	4
						ZW	Boulon Rafix	4
						ZX	Bouton	6

INSTRUCTIONS SPÉCIALES

Si le dessus ou un panneau se gondole, ne vous alarmez pas. Le panneau était plat lorsqu'il a été fabriqué. C'est une caractéristique naturelle du bois non fini de se gondoler en cas d'humidité inégale. La figure de droite illustre une vue exagérée de ce qui peut se produire. Cela signifie seulement que le **côté convexe a absorbé l'humidité**, ou que le **côté concave s'est desséché**. Un panneau gondolé reprend en général sa forme première et se remet droit si ses deux côtés sont exposés à des conditions similaires pendant environ une journée.

CONCAVE – CÔTÉ CONVEXE

IMPORTANT:

Nous recommandons de finir l'unité avant le montage définitif. Avant de procéder à la finition, lisez les conseils ci-joints.

REMARQUE: En raison du fait que plusieurs types de bois sont utilisés, nous recommandons de procéder à des tests pour obtenir la couleur désirée.

Test de couleur désirée sur:

- Des pièces en placage de bois – appliquez la teinture sur une portion non visible du panneau latéral. Voir la FIGURE 1.
- Des pièces en aulne – appliquez la teinture sur l'arrière de la base. Voir la FIGURE 5C.

INSTRUCTIONS DE MONTAGE

OUTILS NÉCESSAIRES :

tournevis cruciforme, mètre à ruban, colle à bois, mèche de 3/16 po et foret, marteau.

FIG. 1 –

Stain test area = Surface de test de teinte
Edge Banding = Bande de bord

Panneau latéral marqué «L» Gauche,
«R» Droit sur le bord du dessous.

Les glissières des tiroirs sont estampillées d'un « L » pour le tiroir gauche ou d'un « R » pour le tiroir droit, au niveau du centre des roulettes. Ou encore, elles sont estampillées à environ 7,62 cm (3 po) de la roulette, d'un « CL » pour le côté gauche de l'armoire, d'un « DL » pour le tiroir gauche, d'un « CR » pour le côté droit de l'armoire, d'un « DR » pour le tiroir droit.

LISEZ MAINTENANT LES INSTRUCTIONS D'UTILISATION DU SYSTÈME DE VERROUILLAGE DE CAME.

- 1) Installez les glissières de tiroirs à l'aide des vis undercut (type 17) n° 6x5/8 po (Z) que vous introduisez dans les deux trous préforés des pièces suivantes :

2 glissières de tiroir (côté droit de l'armoire) (N1) sur le côté droit (Bb)

2 glissières de tiroir (côté gauche de l'armoire) (N2) sur le côté gauche (Ab)

Introduisez une troisième vis dans l'un des trous du milieu de chaque glissière. Voir la FIGURE 1. Les glissières doivent être légèrement en retrait du bord avant.

Introduisez les connecteurs de came (L) dans les trous préforés des pièces suivantes :

2 dans le côté gauche (Ab) ; 2 dans le côté droit (Bb)

FIG. 2 – Edge Banding = Bande de bord

- 2) Collez les goujons (T) dans le côté droit (Bb). Collez les deux traverses (C) et étagère du milieu (Db) à côté droit (Bb). Les encoches des traverses doivent faire face au fond de l'unité et les bords extérieurs doivent être à ras des bords des côtés. Introduisez des vis à tête bombée n° 8x1³/₄ po (ZE) dans les trous des encoches et fixez sur le côté droit. Voir la FIGURE 2.

Fixez l'étagère du milieu (Db) au côté droit (Bb) à l'aide des deux connecteurs de came (L) et des boîtiers de came (M) et deux Goujons (T). Le moulage doit faire face à l'avant. Voir la FIGURE 2.

Fixez la couronne (Eb) au côté droit (Bb). Introduisez une vis noire n° 8x1⁵/₈ po (V) dans le trou ménagé dans le côté droit, puis dans le trou ménagé à l'extrémité de la couronne. La bande de bord doit faire face vers le bas.

- 3) Collez les goujons dans le côté gauche (Ab). Fixez le côté gauche (Ab) aux traverses (C), à l'étagère du milieu (Db) et à la couronne (Eb). Utilisez les goujons et les vis à tête bombée n° 8x1³/₄ po (ZE) pour les traverses ; utilisez les boîtiers de came (M) et goujons (T) pour l'étagère du milieu et une vis noire n° 8x1⁵/₈ po (V) pour la couronne. Voir la FIGURE 3.

Fixez le loquet aimanté (X) sur le bord inférieur de la couronne en le centrant d'un côté à l'autre et en le plaçant à ras du bord avant. Utilisez pour ce faire les vis à tête bombée contenues dans le sac.

- 4) Fixez la plaque d'espacement de la couronne (F) sur l'avant de cette dernière (Eb), à ras du bord et des côtés supérieurs, à l'aide de trois vis à tête bombée n° 8x1 po (ZP) que vous introduisez dans les trous préforés de la couronne. Le bec de la plaque d'espacement doit être orienté vers l'avant inférieur.

Abaissez l'ensemble supérieur (G) dans les côtés (Ab et Bb) et assujettissez-le en introduisant des vis noires n° 8x1⁵/₈ po (V) dans les trois trous du dessus, puis serrez-les bien. Voir la FIGURE 4.

FIG. 5a – Stain test area = Surface de test de teinte

- 5) Avec l'unité reposant face sur le dessous, mesurez la distance entre le dessus gauche et le fond droit et entre le dessus droit et le fond gauche. Si l'unité est en équerre, les mesures sont égales. Si l'une est plus longue, tapez le fond du panneau latéral sur le côté le plus long jusqu'à ce que les deux côtés soient égaux.

Attachez support angulaire (ZS) à chaque côté et étagère du milieu avec les vis Undercut n° 6x5/8 po (type 17) (Z). Voir la FIGURE 5A.

Attachez support triangulaire (ZT) à chaque côté, ensemble supérieure et couronne avec les vis Undercut n° 6x5/8 po (type 17) (Z).

Placez l'arrière (H) sur l'unité de manière à pouvoir le fixer sur les côtés, le dessus, l'étagère du milieu et la traverse à l'aide des vis undercut (type 17) n° 6x5/8 po (Z) que vous introduisez dans les trous préforés de l'arrière. Voir la FIGURE 5B.

Faites glisser la base (I) sous l'extrémité inférieure des côtés, jusqu'à ce qu'elle soit à ras du fond. Fixez-la à l'aide de quatre vis noires n° 8x1 de 1/4 po (U) que vous introduisez dans les trous de la traverse avant (C). Voir la FIGURE 5C.

- 6) À l'aide d'un marteau, enfoncez les punaises (ZG) dans les panneaux latéraux, à proximité de l'arrière. Mesurez 18,7 mm (3/4 po) depuis le fond de l'unité, sur le côté arrière de la base, au point de rencontre de la base et du panneau latéral, et tracez une courte ligne. Placez à plat la cornière d'immobilisation (ZA) de manière à ce que son bord inférieur soit situé sur la ligne ; vissez la cornière à la base et au panneau latéral à l'aide des vis à tête bombée n° 8x5/8 po (ZB). Voir la FIGURE 6. Vissez les glissières réglables (Y) dans les cornières d'immobilisation.
- 7) Fixez les charnières (W) aux portes (J) à l'aide des vis undercut (type 17) n° 6x5/8 po (Z). Le trou le plus à l'extérieur de la charnière doit être placé sur le trou préforé de la porte.
Fixez le bouton (ZX) à l'aide d'une vis à métaux n° 8x1 po (ZF).

FIG. 8 – Illustration de l'installation sur la porte droite.

- 8) Fixez la jupe de la porte (ZQ) à la porte gauche ou droite, selon celle que vous voulez ouvrir en premier. Avec la porte placée à plat, face sur le dessous, mesurez 1,55 cm (5/8 po) depuis le bord externe et tracez légèrement une ligne. Placez la jupe de la porte (ZQ) sur cette ligne, à ras du bord inférieur de la porte. Assujettissez la jupe à la porte à l'aide des vis Philtruss n° 6x5/8 po (ZU) que vous introduisez dans les trous préforés de la jupe. Voir la FIGURE 8.

Avec l'armoire à la verticale, montez les portes sur les côtés à l'aide des vis undercut (type 17) n° 6x5/8 po (Z). Les trous préforés des côtés montrent l'emplacement

du trou supérieur de la charnière supérieure et du trou inférieur de la charnière inférieure. Introduisez les vis au milieu des trous allongés des charnières afin de permettre le réglage si nécessaire. Ne les introduisez pas dans les trous ronds tant que vous n'avez pas effectué les derniers réglages. Ouvrez et fermez les portes pour vous assurer qu'elles sont alignées correctement. Il sera peut-être nécessaire de les réajuster ; dans ce cas, desserrez les vis et réalignez les portes. Voir la FIGURE 8A.

Fixez les plaques du loquet aimanté (X) au coin supérieur interne des portes, au point où elles feront contact avec le loquet aimanté. Voir la FIGURE 8B.

9) Fixez deux glissières de tiroir (K) à chaque faux avant de tiroir (P) à l'aide de deux vis noires n° 8x1¼ po (U) que vous introduisez dans les trous préforés ménagés sur les côtés. Les rainures du fond du tiroir doivent être alignées. Faites glisser le fond du tiroir (Q) dans les rainures. Fixez de la même manière l'extrémité du tiroir (R) sur les côtés. Répétez les étapes ci-dessus pour l'autre tiroir. Voir la FIGURE 9A.

Mettez les tiroirs à l'équerre en mesurant la distance entre l'avant gauche et l'arrière droit et entre l'avant droit et l'arrière gauche. Ces mesures doivent être égales. Si l'une est plus longue, maintenez le tiroir par les coins du côté le plus long et serrez-les ensemble jusqu'à ce qu'elles soient à l'équerre. Voir la FIGURE 9B.

10) Fixez les glissières (côté gauche du tiroir) (N4) et (côté droit du tiroir) (N3) sur les tiroirs. Les roulettes doivent être placées vers l'arrière et le bord avant doit être à ras du côté du tiroir. Fixez les glissières à l'aide de trois vis undercut (type 17) n° 6x5/8 po (Z). Les glissières ne vont pas jusqu'à l'arrière du tiroir. Voir la FIGURE 10.

11) Fixez les faces des deux tiroirs (O) aux tiroirs. Introduisez les vis Philtruss (ZR) à travers les trous des faux avant de tiroirs dans les faces des tiroirs et fixez *LÉGÈREMENT* le bouton (ZX). Voir la FIGURE 11. **N'INSÉREZ PAS ENCORE LES VIS LOPROFILE (ZH).**

12) Introduisez le tiroir du fond dans l'unité. Assurez-vous que le bouton (ZX) est suffisamment desserré pour que la face du tiroir puisse se déplacer librement sur le faux avant. Réglez la face du tiroir du fond sur le faux avant du tiroir (P), de manière à ce qu'elle soit centrée d'un côté à l'autre et, à l'aide de l'entretoise (ZC), de manière à ce qu'elle soit à 0,31 cm (1/8 po) au-dessus de la base (I). Voir la FIGURE 12A. Serrez le bouton (ZX) pour empêcher tout déplacement de la face. Introduisez quatre vis LoProfile 8x7/8 po (ZH) dans les trous du faux avant du tiroir (P) et serrez-les bien. Voir la FIGURE 12B.

Répétez les étapes ci-dessus pour l'autre tiroir. Il doit y avoir un espace de 0,31 cm (1/8 po) entre les tiroirs pour que les glissières puissent fonctionner correctement.

Réglez si nécessaire les charnières des portes afin qu'elles soient alignées avec les tiroirs. Introduisez maintenant les vis restantes (Z) dans les trous ronds des charnières.

Si vous souhaitez utiliser l'armoire comme centre audiovisuel :

13) Vous pouvez fixer deux pieds (Z1) à une étagère réglable inférieur (Sb) ; ils formeront un stand de télévision, l'étagère du milieu étant prévue pour le magnétoscope. Ce montage est optionnel. Vous pouvez placer le étagère réglables inférieur à d'autres emplacements, à l'aide des supports d'étagères (ZK).

Pour construire l'étagère, posez une étagère réglable à plat, face sur le dessous, sur une surface protégée et fixez les deux pieds (Z1) à ras du bord et du côté avant, à l'aide de trois vis à tête bombée n° 8x1 po (ZP), que vous introduisez dans les petits trous préforés des pieds. Voir la FIGURE 13. L'étagère sera placée à environ 2,54 cm (1 po) de l'arrière, pour permettre aux câbles de passer derrière elle.

Faites glisser l'ensemble de l'étagère dans l'unité, au-dessus des charnières inférieures, et abaissez-le pour le mettre en place de manière à ce que ses pieds couvrent les charnières. Montez les supports d'étagère au-dessus de cette dernière, dans les coins arrière, et assujettissez-les à l'aide des vis undercut n° 6x1/2 po (ZL) pour empêcher l'étagère de basculer. Voir la FIGURE 13A. Deux supports d'étagère avec leurs vis ne seront pas utilisés.

Enfonchez en frappant dessus quatre cames Rafx (ZV) dans les trous ménagés dans le fond de l'étagère réglable supérieur (Sc). Introduisez quatre boulons Rafx (ZW) dans les panneaux latéraux, au niveau où vous souhaitez installer l'étagère. Abaissez les cames Rafx sur les boulons, puis serrez au moyen d'un tournevis que vous introduisez dans le trou ménagé au fond de chaque rondelle.

Si vous souhaitez utiliser l'armoire comme garde-robe :

14) Montez les supports de la barre à vêtements (ZM) sur les panneaux latéraux à l'aide des vis en laiton que vous introduisez à l'emplacement désiré. Insérez la barre à vêtements (ZN) dans les supports.

15) Quand vous avez déterminé l'emplacement de votre armoire, installez la corde de retenue de meubles (ZI). Suivez avec soin les instructions contenues dans le paquet.

16) Après avoir amené l'armoire à son emplacement, il peut être nécessaire de régler les glissières pour aligner l'unité, en raison de l'inégalité du sol et de la moquette.