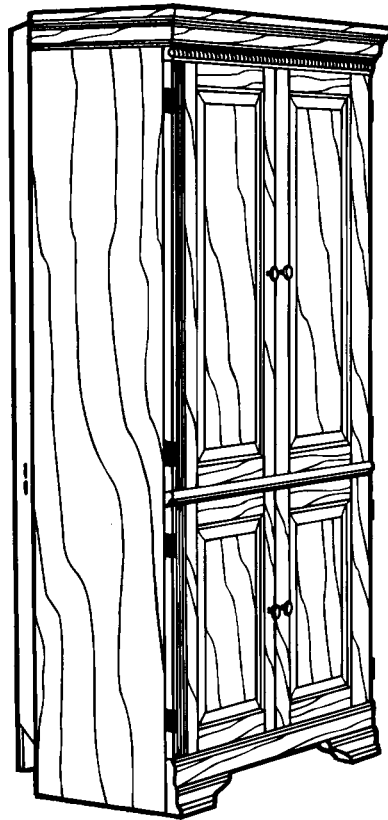




732W Cambridge Corner Entertainment Center



DO NOT CLIMB, SIT, OR STAND ON THIS PIECE OF FURNITURE.

DO NOT OVERLOAD SHELVES ON THIS PIECE OF FURNITURE.

UNLOAD ITEMS FROM THIS UNIT PRIOR TO MOVING.

BEFORE LOADING OR MOVING THIS PIECE OF FURNITURE, CHECK ALL SCREWS AND SUPPORTS FOR TIGHTNESS.

FOR NORMAL HOUSEHOLD USE ONLY.
NOT RECOMMENDED FOR COMMERCIAL USE.

CONGRATULATIONS ON YOUR CHOICE OF A WHITTIER WOOD PRODUCT. THIS FINE, HARDWOOD FURNITURE WILL BE A HANDSOME ADDITION TO YOUR HOME. JUST FOLLOW THE STEP BY STEP INSTRUCTIONS.

SERVICE POLICY: WE WILL REPLACE ANY PARTS WHICH ARE DEFECTIVE, MISSING OR DAMAGED DURING ASSEMBLY. PLEASE CONTACT WHITTIER WOOD PRODUCTS CUSTOMER SERVICE DEPARTMENT DIRECTLY FOR REPLACEMENT PARTS. IF YOU LIVE IN THE U.S. OR CANADA, YOU CAN REACH US TOLL FREE AT: 800-653-3336. ALL OTHER CUSTOMERS CAN REACH US BY CALLING 541-687-0213, FAXING 541-687-2060 OR WRITING TO P.O. BOX 2827, EUGENE, OR-USA 97402.

CUSTOMER SERVICE PERSONNEL CAN BE REACHED MONDAY-FRIDAY, 7:00 A.M. TO 5:00 P.M. PACIFIC TIME. A MESSAGE CAN BE LEFT FOR CUSTOMER SERVICE 24 HOURS A DAY, SEVEN DAYS A WEEK.

WHEN CONTACTING US, PLEASE PROVIDE THE FURNITURE MODEL NUMBER, PART LETTER, QUANTITY NEEDED, REASON FOR REPLACEMENT AND YOUR FULL NAME AND ADDRESS ALONG WITH A TELEPHONE NUMBER IN CASE WE NEED TO CONTACT YOU.

IMPORTANT NOTES

- READ INSTRUCTIONS COMPLETELY BEFORE STARTING ASSEMBLY.
- ADDITIONAL SANDING WITH 220 GRIT IS RECOMMENDED FOR ENHANCED BEAUTY.
- ALWAYS SAND WITH THE GRAIN OF THE WOOD. BE CAREFUL NOT TO SAND THROUGH THE VENEER.
- BEFORE FINISHING, READ ENCLOSED FINISHING HINTS.
- TO SEAL THE WOOD, APPLY A MINIMUM OF ONE COAT OF POLYURETHANE, VARNISH, LACQUER OR THE EQUIVALENT TO ALL SIDES. THIS WILL PREVENT MOISTURE CHANGES WHICH COULD CAUSE FUTURE WARPAGE OR CUPPING.
- STORE THE PANELS: 1) IN THEIR BOX, 2) IN A DRY PLACE, 3) IN TEMPERATURES RANGING FROM 40° TO 90°. (NOT ON A COLD, POSSIBLY DAMP, CEMENT FLOOR.)

INSPECT YOUR FURNITURE PERIODICALLY FOR ANY LOOSE GLUE JOINTS OR SCREWS, OR ANY OTHER PROBLEM WHICH MAY BE AFFECTING THE STABILITY OF YOUR FURNITURE. TIGHTEN OR REPAIR AS NEEDED.

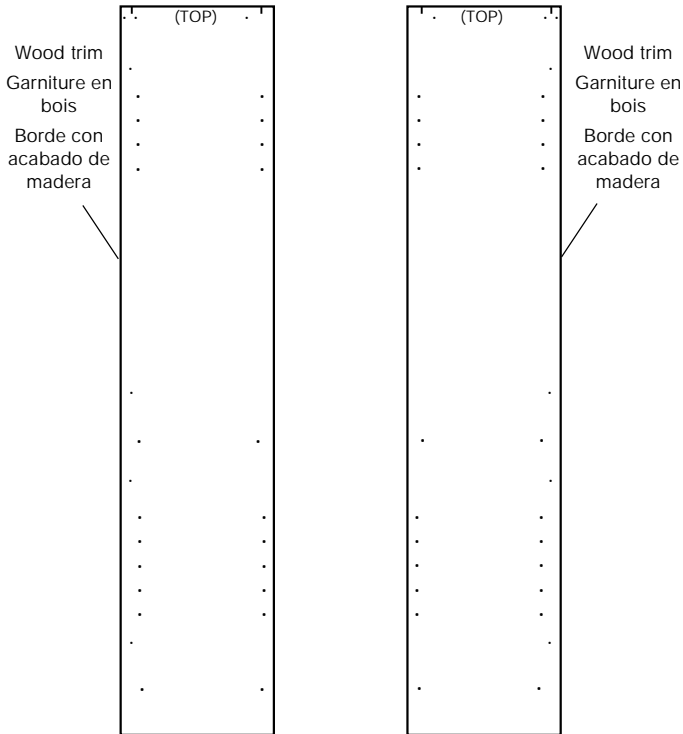
DESIGN SUBJECT TO CHANGE WITHOUT NOTICE.

Rev. 8/03

732W Cambridge Corner Entertainment Center – Parts List

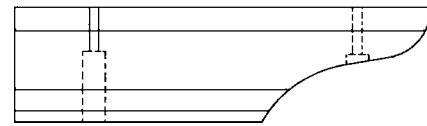
BEFORE BEGINNING ASSEMBLY:

Check that the quantities of the parts received match those on parts list below.

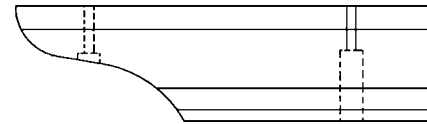


A — Left Side Panel — Qty. 1

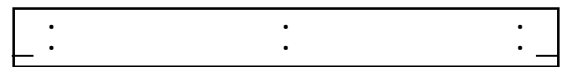
B — Right Side Panel — Qty. 1



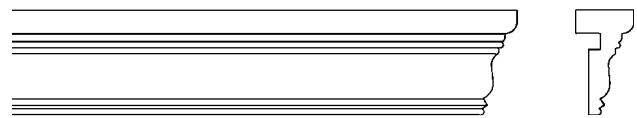
F — Left Foot — Qty. 1



G — Right Foot — Qty. 1



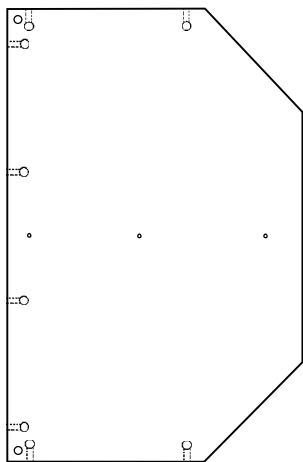
H — Crown — Qty. 1



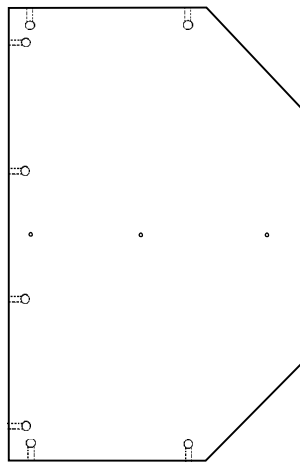
I — Left Crown Moulding — Qty. 1



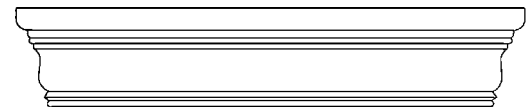
I — End view;
Vue de l'extrémité;
Vista lateral



CB — Bottom Shelf — Qty. 1



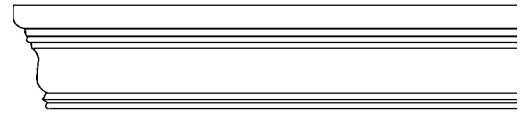
CC — Center Shelf — Qty. 1



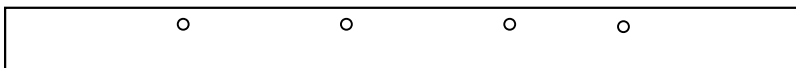
J — Front Crown Moulding — Qty. 1



K — End view;
Vue de l'extrémité;
Vista lateral



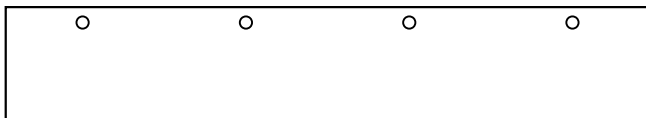
K — Right Crown Moulding — Qty. 1



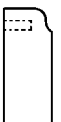
D — Center Shelf Moulding — Qty. 1



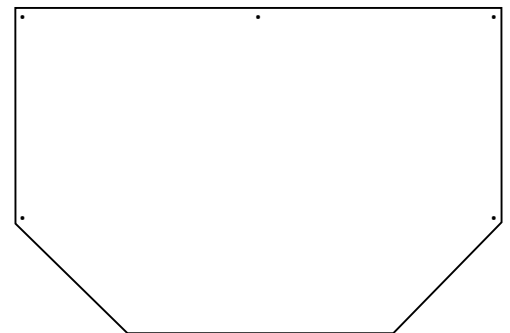
D — End view; Vue de l'extrémité; Vista lateral



E — Base — Qty. 1

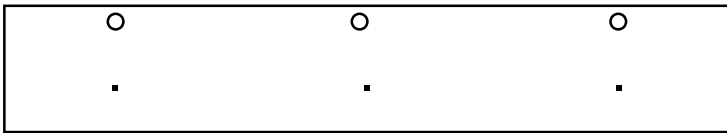


E — End view; Vue de l'extrémité; Vista lateral



L — Top — Qty. 1

732W Cambridge Corner Entertainment Center – Parts List (cont.)



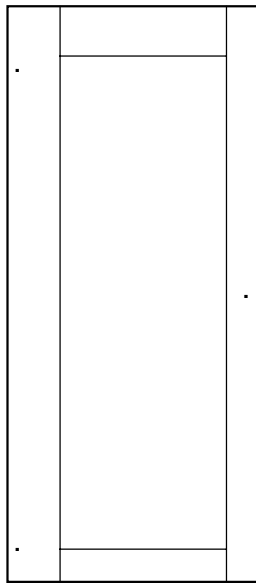
M — Crown Spacer — Qty. 1



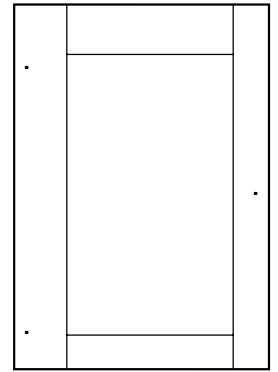
M — End view; Vue de l'extrémité; Vista lateral



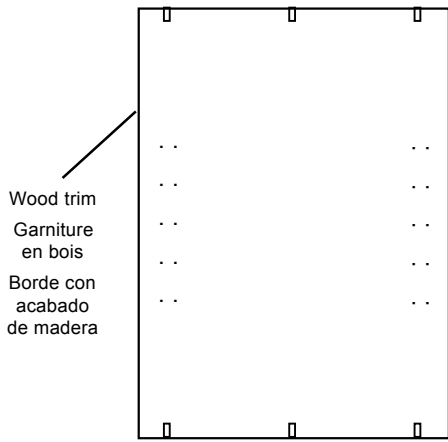
N — Embossed Moulding — Qty. 1



S — Upper Door — Qty. 2

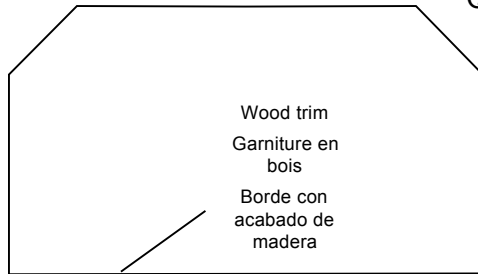


T — Lower Door — Qty. 2



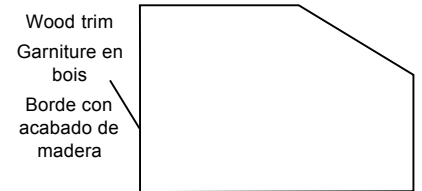
Wood trim
Garniture en bois
Borde con acabado de madera

O — Vertical Divider — Qty. 1



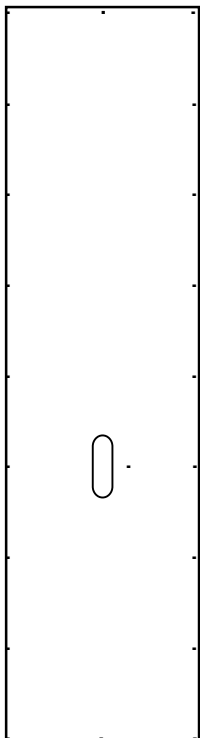
Wood trim
Garniture en bois
Borde con acabado de madera

U — Large Adjustable Shelf — Qty. 1



Wood trim
Garniture en bois
Borde con acabado de madera

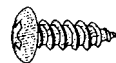
V — Small Adjustable Shelf — Qty. 2



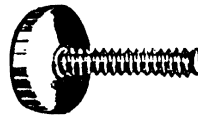
P — Left/Right Back — Qty. 2



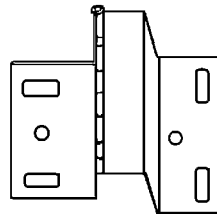
Qa — Center Back — Qty. 1



W — #6 x 1/2" Philltruss Screw — Qty. 46



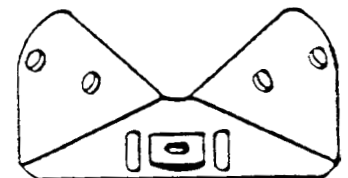
Y — Adjustable Glide — Qty. 2



ZA — Hinge — Qty. 8



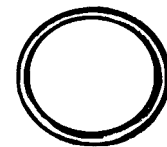
ZC — Shelf Bracket — Qty. 12



X — Corner Brace — Qty. 2



Z — Tack Glide — Qty. 2




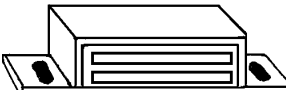

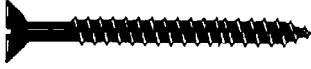
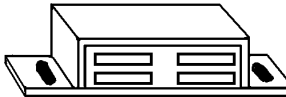

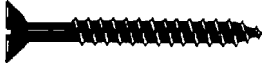

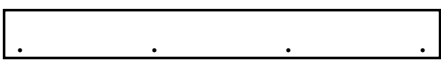
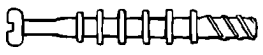




ZB — Knob — Qty. 4



ZD — #8 x 5/8" Pan Head Screw — Qty. 8

732W Cambridge Corner Entertainment Center – Parts List (cont.)

			
ZE — #6 x 3/8" Brass Screw — Qty. 12	ZF — #8 x 1" Machine Screw — Qty. 4	ZM — #6 x 1 1/4" Pan Head (type 17) Black Screw — Qty. 9	ZN — Magnetic Catch — Qty. 2
			
ZG — #6 x 5/8" Flat Head Screw — Qty. 48	ZH — 1 5/8" Black Screw — Qty. 5	ZO — Double Magnetic Catch — Qty. 1	ZP — Wood Dowel — Qty. 3
			
ZI — 1 1/4" Black Screw — Qty. 12	ZJ — 2" Black Screw — Qty. 7	ZQ — Door Skirt — Qty. 1	
			
ZK — Cam Connector — Qty. 16	ZL — Cam Housing — Qty. 16	ZR — Locking Plug — Qty. 2	

ASSEMBLY INSTRUCTIONS

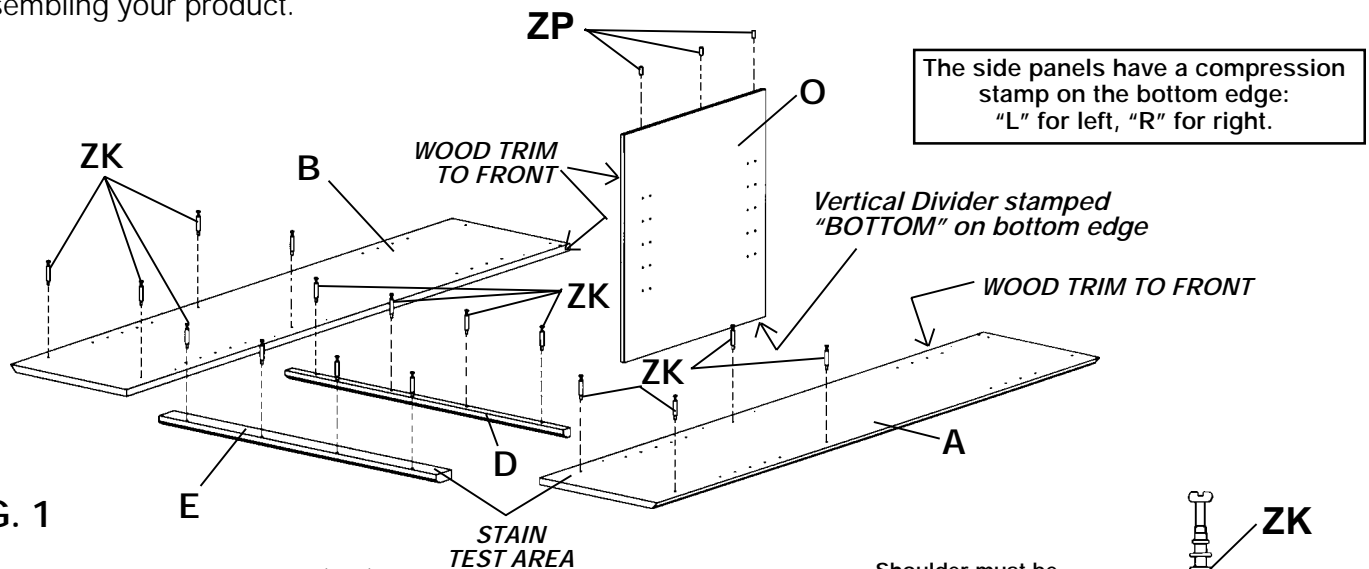
TOOLS REQUIRED: Phillips Screwdriver, Slotted Screwdriver, Tape Measure, Hammer, Wood Glue.

IMPORTANT:

NOTE: Due to the fact that more than one type of hardwood is used, we recommend testing for desired color.

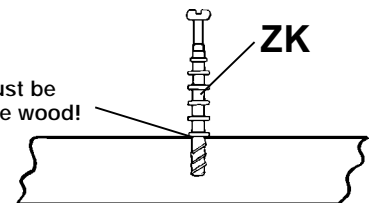
To test for desired color on: a) Veneer parts – apply stain to unexposed portion of side panel.
b) Alder pieces – apply stain to back of base.

NOTE: In an effort to control costs and preserve natural resources, we remanufacture some components, cutting them into smaller parts to eliminate the defects. This may result in some holes or grooves appearing in inconspicuous locations such as the bottom of the bottom shelf. These extra holes should be disregarded in assembling your product.



- FIG. 1**
- 1) Install Cam Connectors (ZK):
 - four in each Side Panel (A&B)
 - four in Center Shelf Moulding (D)
 - four in Base (E)
- Glue Wood Dowels (ZP): three in top edge of Vertical Divider (O)

Shoulder must be flush with the wood!



DO NOT IMBED THE SHOULDER INTO THE WOOD!

READ CAM-LOCK INSTRUCTIONS

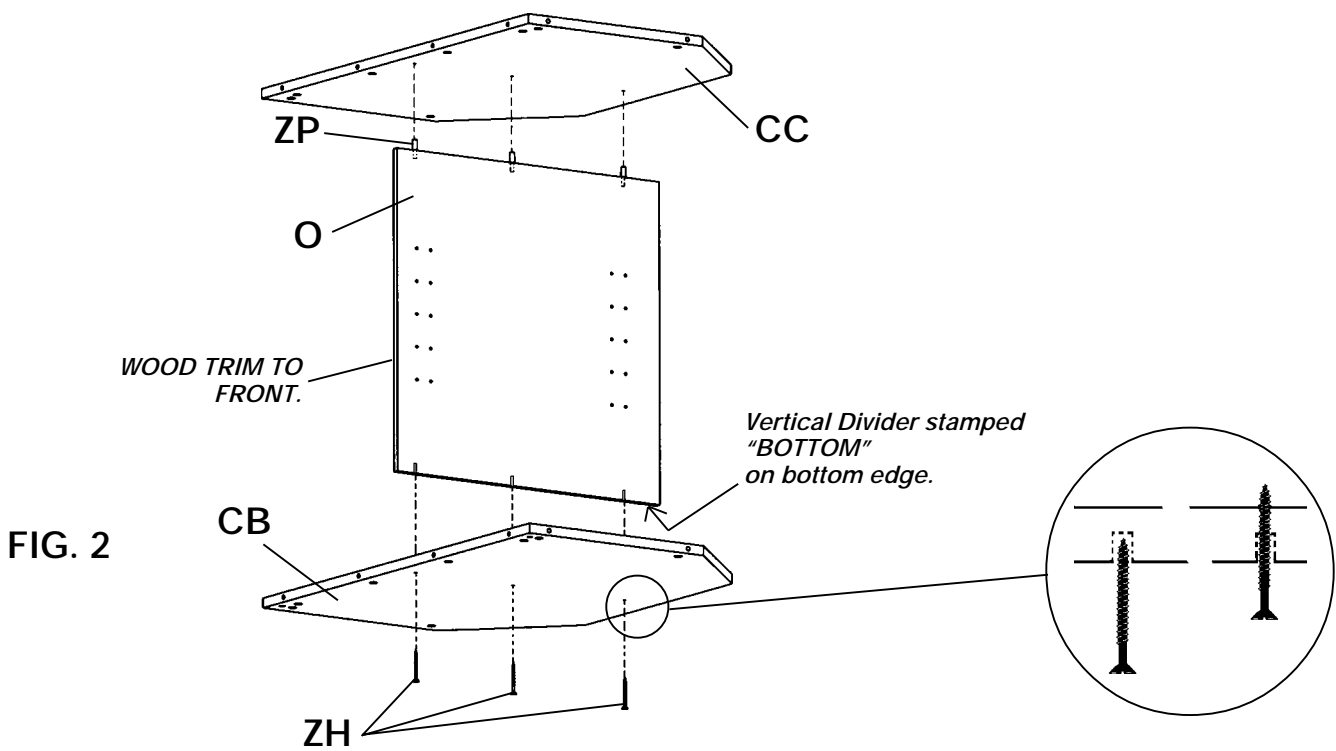


FIG. 2

- 2) Attach the Vertical Divider (O) to the bottom of the Center Shelf (CC) with three Wood Dowels (ZP). The four holes in one edge of the center shelf and bottom shelf must face the same direction as the wood trim on the vertical divider. Start three 1⁵/₈" Black Screws (ZH) through the predilled blind holes across the center of the Bottom Shelf (CB) so that they start to come through the top of the shelf. Line up the screws with the holes in the bottom edge of the vertical divider and fasten securely.

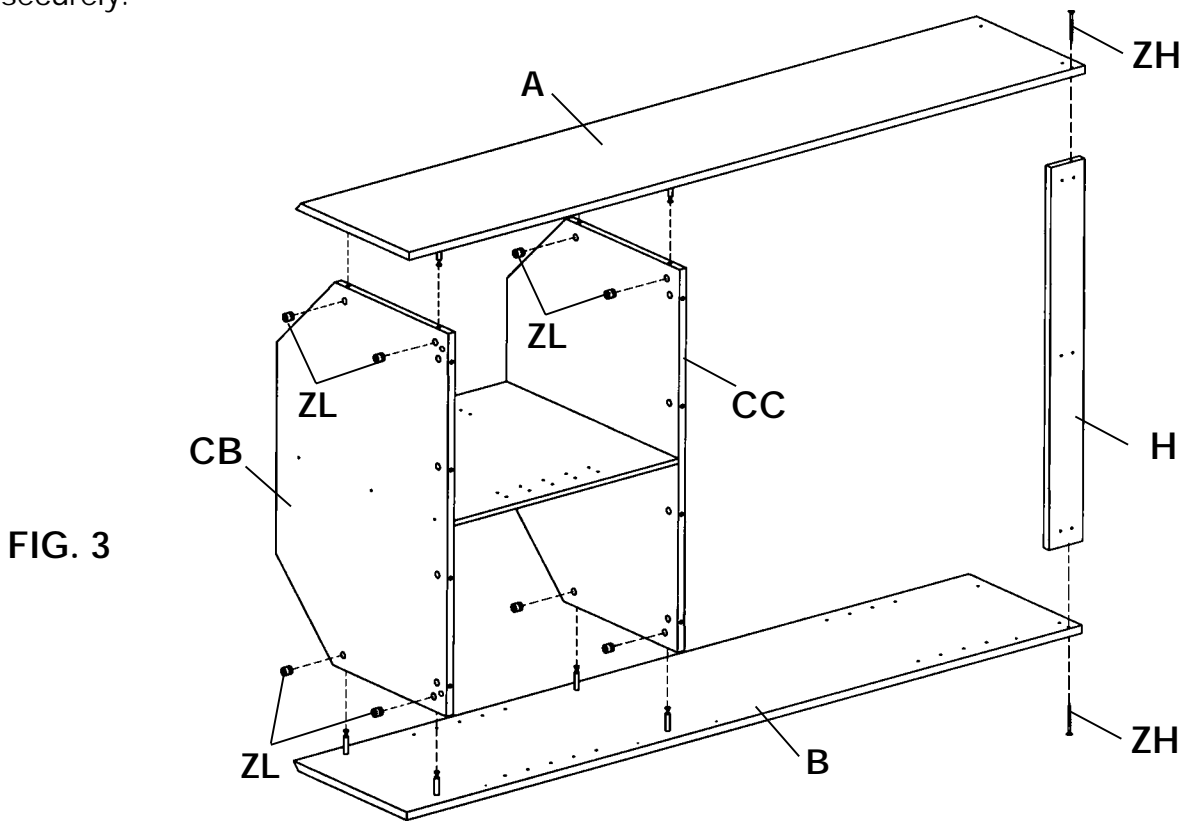


FIG. 3

- 3) Attach Left Side Panel (A) to Center Shelf (CC) and Bottom Shelf (CB) with Cam Housings (ZL). Attach the Crown (H) to the Left Side Panel with a 1⁵/₈" Black Screw (ZH) through the predilled hole in the side panel into the crown. Attach Right Side Panel (B) in same manner.

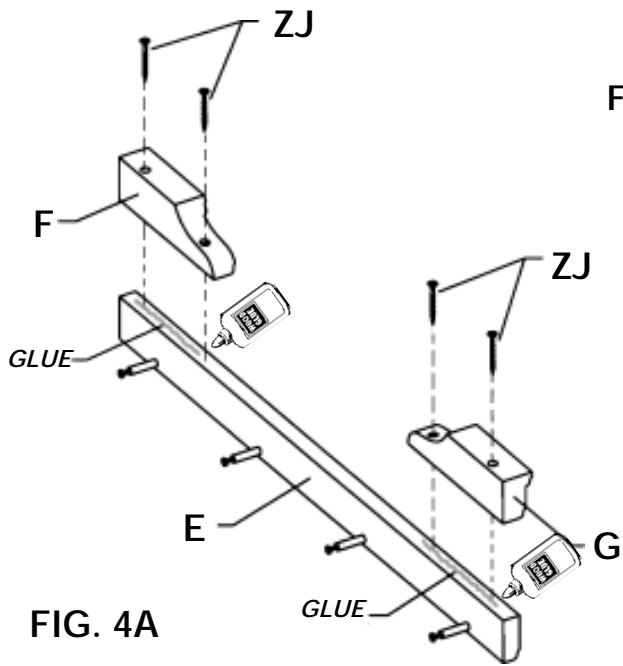


FIG. 4A

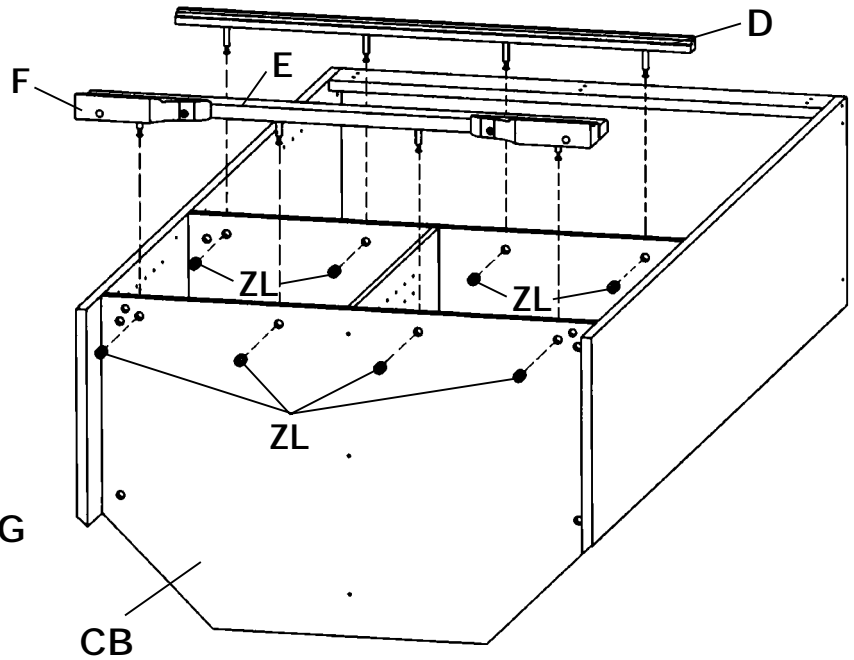


FIG. 4

- 4) Attach both the Left Foot (F) and Right Foot (G) to the Base (E) with glue and two 2" Black Screws (ZJ). Make sure that the ends and back of feet are flush with base. Attach the Base (E) to the Bottom Shelf (CB) with Cam Housings (ZL).

Attach the Center Shelf Moulding (D) to the front of the Center Shelf (CC). Use four Cam Connectors (ZK) and Cam Housings (ZL). The moulding will overhang the bottom of the shelf.

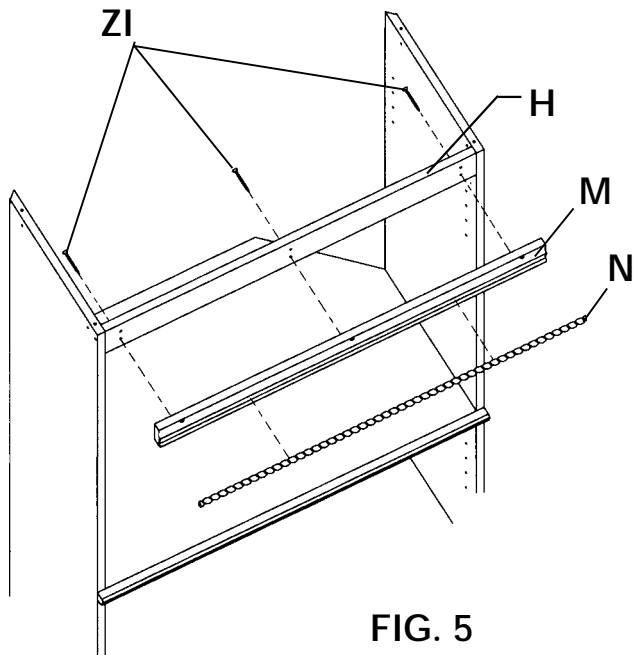


FIG. 5

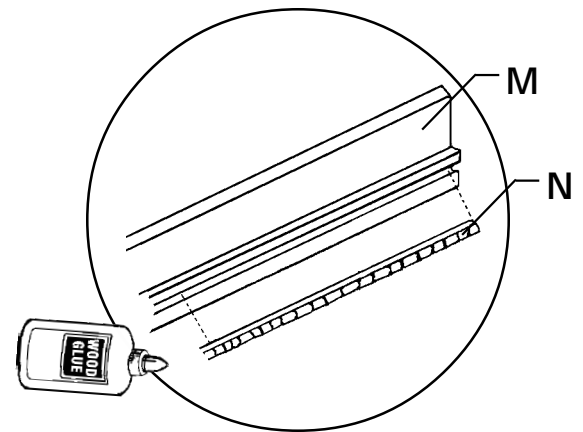


FIG. 5A

- 5) With the notch for the embossed emblem toward the bottom, attach the Crown Spacer (M) to the Crown (H) with three 1¼" Black Screws (ZI) through the lower predrilled holes in the crown into the pilot holes in the crown spacer. The upper unused holes in the crown and crown spacer should line up. The top edge of the crown spacer will be about one inch below the top edge of the crown. Glue the Embossed Moulding (N) into the groove in the crown spacer.

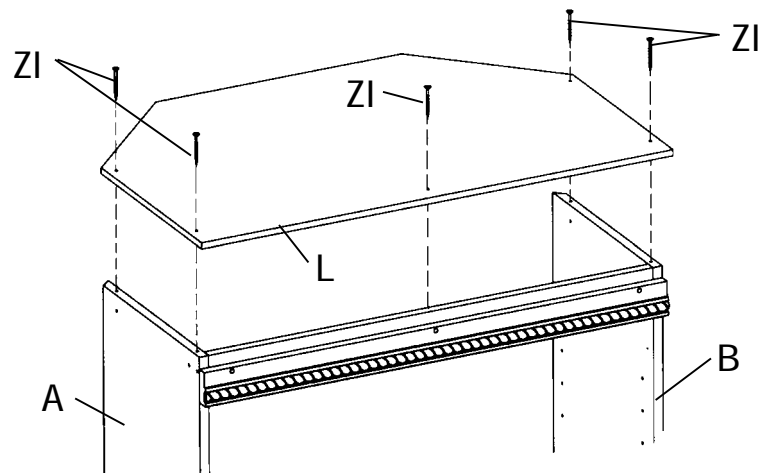


FIG. 6

- 6) First attach the Top (L) to the Left and Right Side Panels, and then the Crown with 1¼" Black Screws (ZI) through the predrilled holes in the top, and side panels. The top will extend approximately 1" beyond the front of the side panels and 3/8" over the sides.

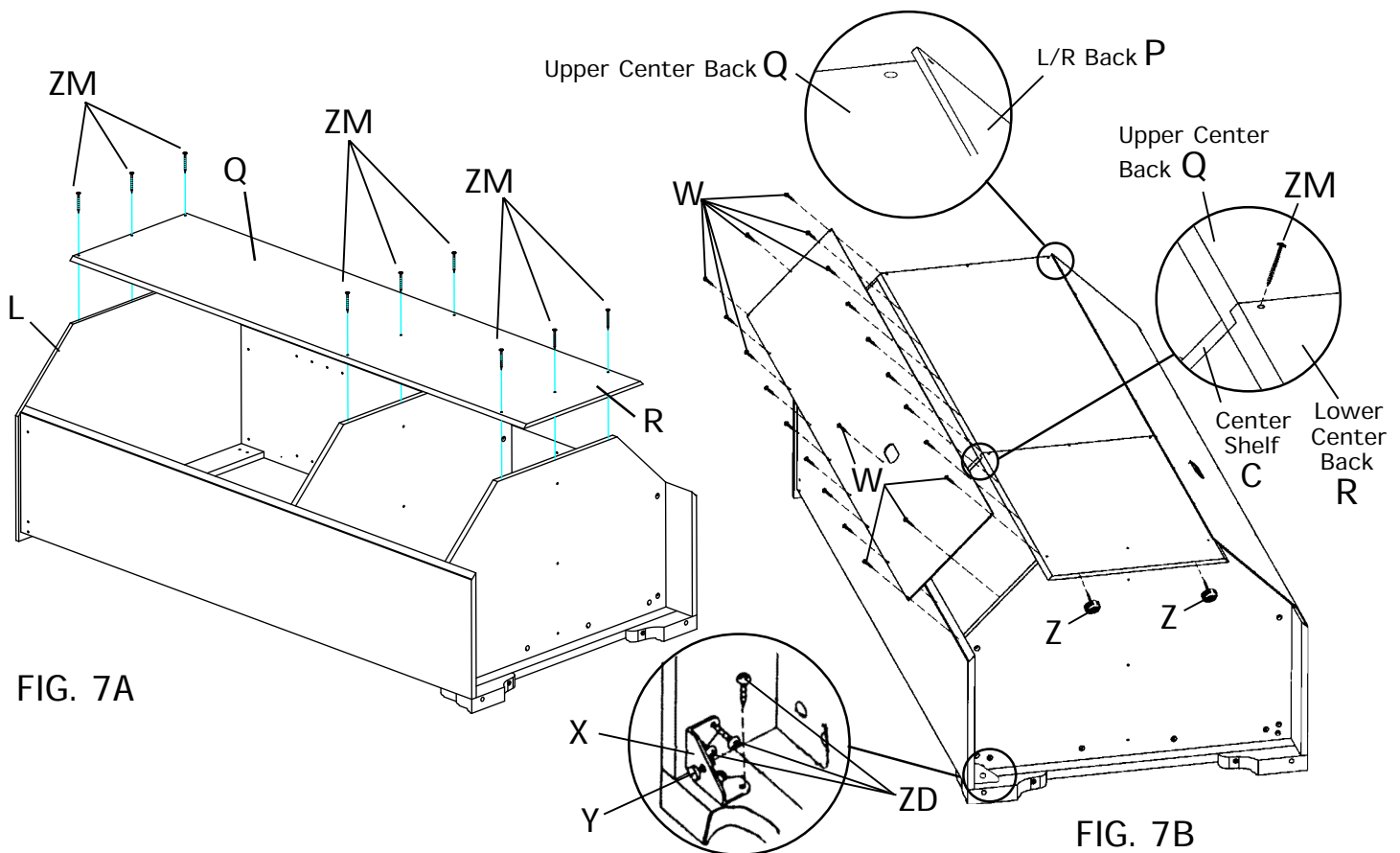
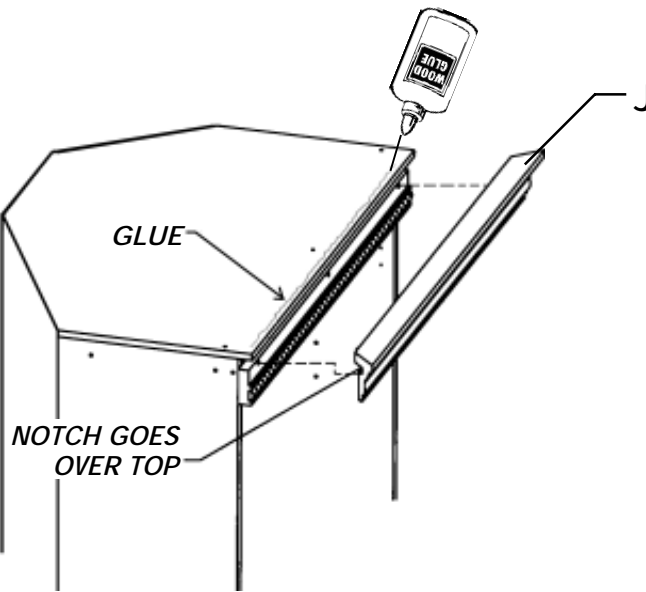


FIG. 7A

FIG. 7B

- 7) Attach the Upper Center Back (Q) to the Top (L) with three #6 x 1¼" Type 17 Pan Head Black Screws (ZM). The upper edge of the back should be flush with the top and the notched edge should be out. Place the notched edge of the Lower Center Back (R) snugly against the upper center back and fasten in place with three #6 x 1¼" Type 17 Pan Head Black Screws (ZM) through the predrilled holes. Attach the lower end to the bottom shelf with three more screws. Insert a Left/Right Back (P) into the notch in each side Panel (A & B) so that the oval cord openings span the Center Shelf (CC). Fasten in place with #6 x ½" Philtruss Screws (W) through the predrilled holes in the backs. The left and right backs will extend slightly beyond the center backs. Attach Corner Brace (X) to base and side panels with #8 x 5/8" Pan Head Screws (ZD) 1/4" from the bottom. Screw Adjustable Glides (Y) into corner braces. Hammer Tack Glides (Z) into bottom of lower center back 1" from the edge.

FIG. 8



- 8) With unit standing upright, place a small bead of glue along the front edge of the top. Insert the notch on the backside of the Front Crown Moulding (J) over the front edge of the Top, align it side to side on the crown spacer and attach with three 2" Black Screws (ZJ) through the predrilled holes in the crown.

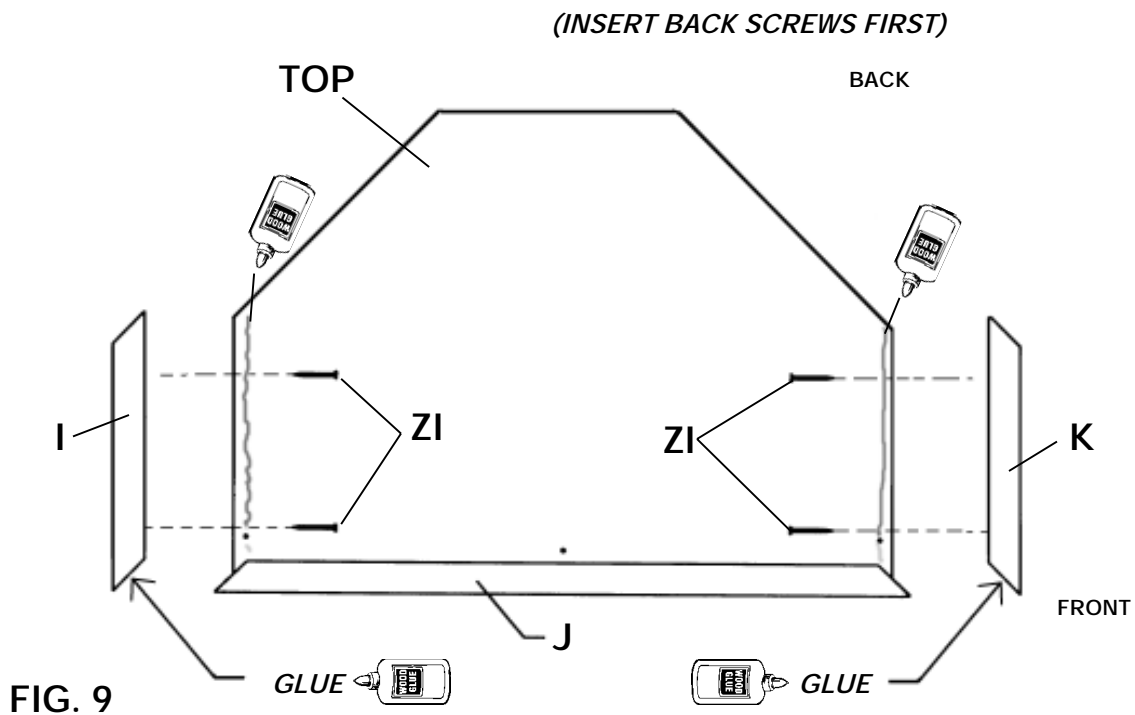


FIG. 9

- 9) Place a small amount of glue on the left side of the Top and the mitered corner of the Left Crown Moulding (I) before carefully aligning the moulding so that the front mitered corner matches up with the corner of the Front Crown Moulding (J). Starting from the back, attach the Left Crown Moulding to the side panel with two 1 1/4" Black Screws (ZI) through the predrilled holes in the side panel into the crown moulding.

Repeat above steps for the Right Crown Moulding (K).

FIG. 10

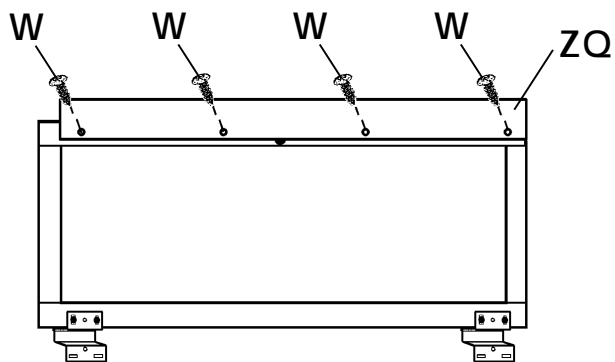
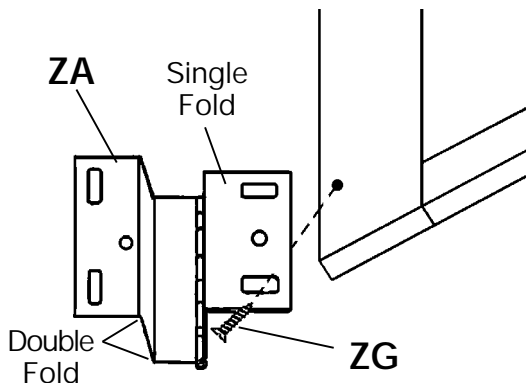


FIG. 10A

- 10) Attach the backfold Hinges (ZA) to each end of the outer edge of the Upper and Lower Doors (S&T) with #6 x 5/8" Flat Head Screws (ZG) through the elongated holes. The outer screw goes into the predrilled hole in the door. The end of the hinge with the single fold should be attached with its side and top flush against the door. See FIGURE 10.

The Door Skirt (ZQ) may be attached to either the left or right Upper Door. With the Upper Door laying face down, measure in 5/8" from the outer edge and draw a light line. Lay the inner edge of the Door Skirt (ZQ) on the line, with the bottom edge flush with the bottom of the door. Attach the Skirt to the door with four #6 x 1/2" Philtruss Screws (W) through the predrilled holes in the skirt.

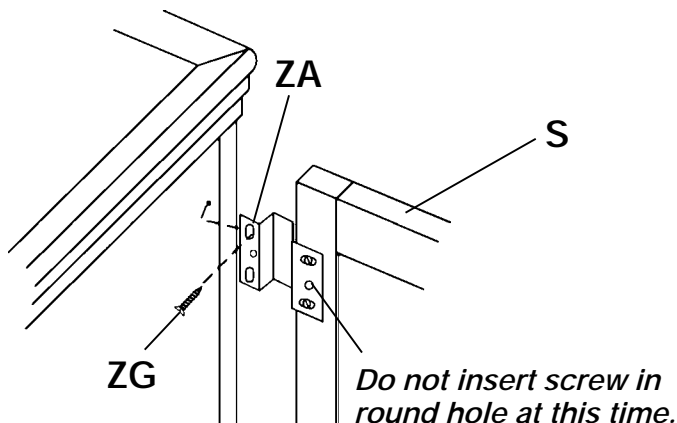


FIG. 11

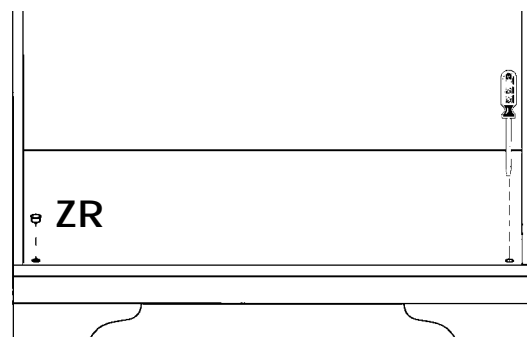


FIG. 12

- 11) With the unit standing upright, attach the upper doors to the side panels with two #6 x 5/8" Flat Head Screws (ZG) through the elongated holes. In each side panel there is a pre-punched mark for the location of the uppermost screw in each hinge. Open and close the doors to check for proper alignment. If adjustment is required, loosen the screws and move the doors up or down as necessary.
- 12) Level the unit by turning the adjustable glides in the corner braces. The bottom shelf has two holes near the front for access to the adjustable glides. Insert slotted screwdriver into the slot in top of the adjustable glide and turn clockwise to raise and counter-clockwise to lower unit. Insert Locking Plugs (ZR) when unit is level.

IMPORTANT NOTICE: Uneven setting of the adjustable glides can twist the unit and cause the doors to appear out of alignment. Upon selection of the final location of the unit, rotate the adjustable glides until the unit stands level. If the doors still appear to be out of alignment, the elongated holes in the hinges allow for adjustment of the doors. Loosening the screws in the side panel will allow the door to be moved up or down. The hinges on both doors may have to be loosened to align the doors properly. Align the doors and retighten all screws.

Once you have the doors properly aligned and the unit in its final location, open the doors and insert the third screw into the round hinge hole.

Attach the lower doors in the same way.

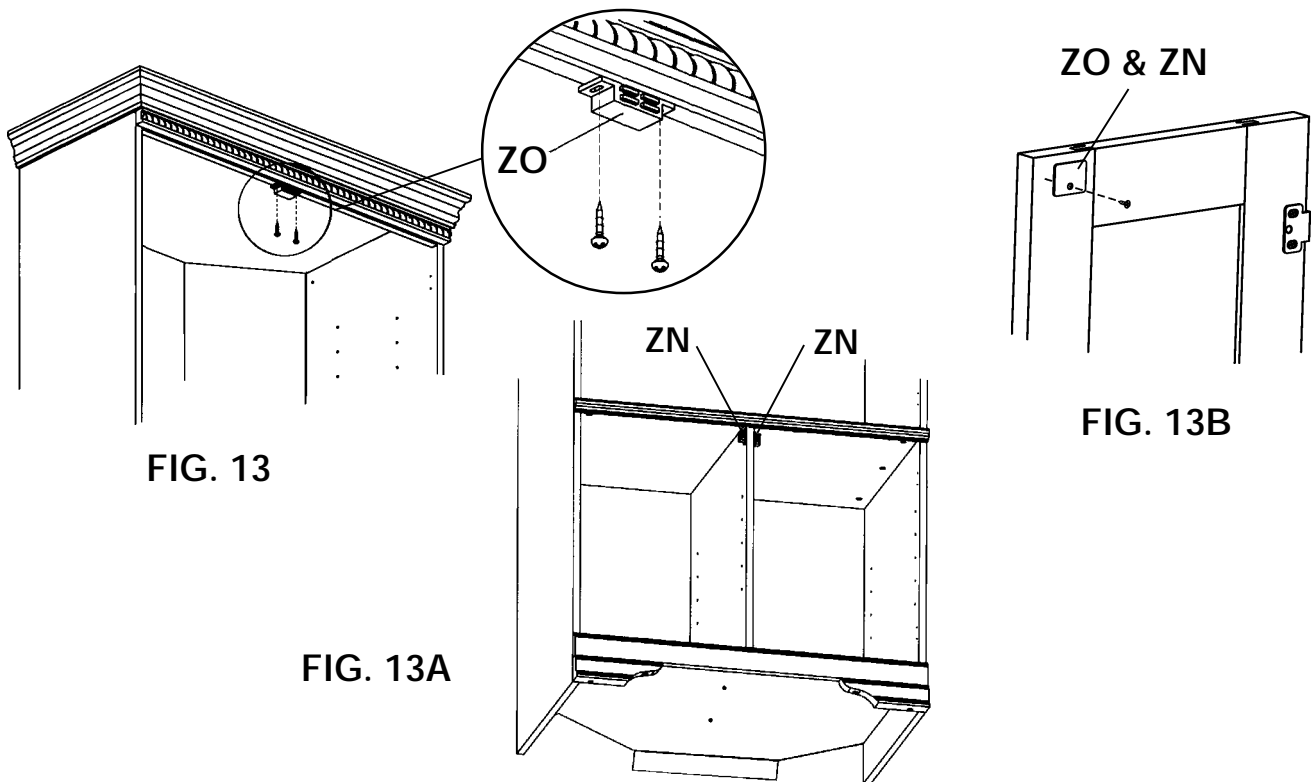


FIG. 13

FIG. 13A

FIG. 13B

- 13) Attach the Double Magnetic Catch (ZO) to the bottom of the crown spacer centered side to side and flush with front edge using pan head screws included in catch kit. Attach the catch plates to the upper inside edge of the upper doors where they will make contact with the magnetic catch using flat head screw included in the catch kit.

Mount the Single Magnetic Catches (ZN) for the lower doors to the vertical divider below the center shelf, flush with the front edge of the vertical divider. Mount one slightly below the other so that the screws for both catches will not be exactly opposite.

Attach the catch plates to the upper inside edge of the lower doors where they will meet the catches.

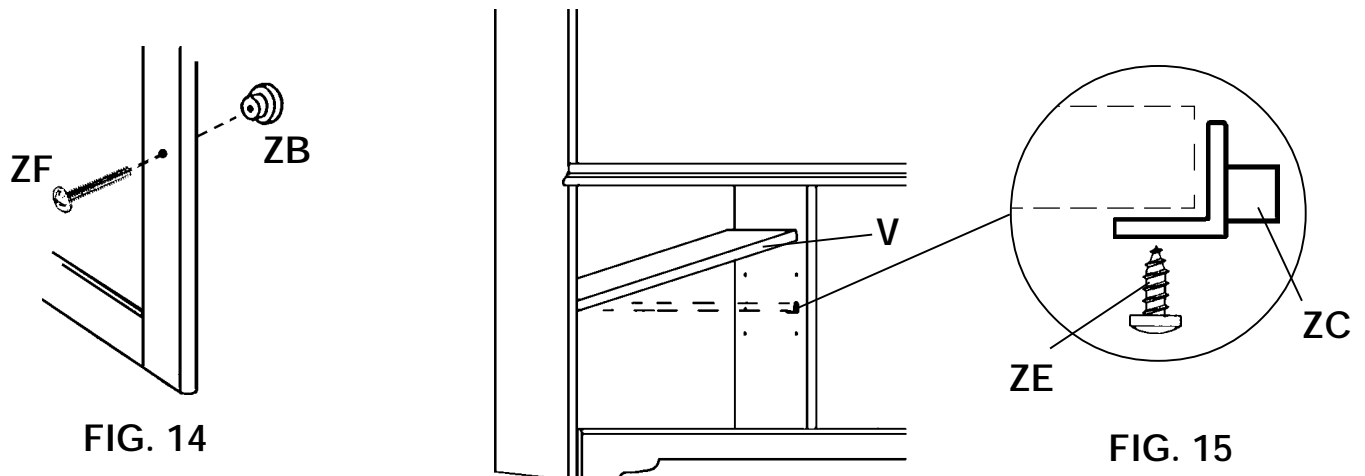


FIG. 14

FIG. 15

- 14) Attach the Knobs (ZB) to the doors using #8 x 1" Machine Screws (ZF).

- 15) Install Adjustable Shelves (U&V) in desired locations using the Shelf Brackets (ZC). Fasten in place with #6 x 3/8" Brass Screws (ZE). The holes for the shelf brackets are staggered so that if you want them at the same level, use the front holes in one side of the vertical divider and the back holes on the other side.



732W

Centro de esquina para TV y equipo de audio y video

No se suba, no se sienta ni se pare sobre este mueble.

No cargue en exceso los estantes de este mueble.

No mueva este mueble mientras esté lleno. Vacíelo antes de moverlo.

Antes de cargar o mover este mueble, compruebe que todos los tornillos y soportes estén apretados.

SÓLO PARA USO DOMÉSTICO.
NO SE RECOMIENDA PARA USO COMERCIAL.

FELICITACIONES POR HABER SELECCIONADO UN MUEBLE DE MADERA WHITTIER. ESTE BELLO MUEBLE DE MADERA DURA SE CONVERTIRÁ EN UNA HERMOSA NOVEDAD EN SU HOGAR. SIMPLEMENTE SIGA PASO A PASO LAS INSTRUCCIONES DE ARMADO.

NOTAS IMPORTANTES:

- ANTES DE COMENZAR A ARMAR EL MUEBLE, LEA CUIDADOSAMENTE LAS INSTRUCCIONES.
- PARA REALZAR LA BELLEZA DEL MUEBLE, LE RECOMENDAMOS EFECTUAR UN LIJADO ADICIONAL CON LIJA 220.
- LIJE SIEMPRE EN LA MISMA DIRECCIÓN DE LA VETA DE LA MADERA, CUIDANDO DE NO LIJAR DEMASIADO PROFUNDAMENTE (PODRÍA PERFORAR EL ENCHAPADO).
- Y ANTES DE PROCEDER CON EL ACABADO FINAL, LEA LAS SUGERENCIAS ADJUNTAS.
- PARA SELLAR LA MADERA, APLIQUE (COMO MÍNIMO) UNA CAPA DE POLIURETANO, BARNIZ O LACA A TODOS LOS COSTADOS. ESTO IMPEDIRÁ QUE HAYA DEFORMACIONES POR HUMEDAD, LO CUAL PODRÍA PROVOCAR QUE LA MADERA SE ARQUEE O SE HINCHE.
- GUARDE LOS PANELES: 1) EN SU CAJA, 2) EN UN SITIO SECO, 3) EN UN RANGO DE TEMPERATURAS COMPRENDIDO ENTRE 40° Y 90° (NO EN UN PISO DE CEMENTO FRÍO QUE TAL VEZ ESTÉ HÚMEDO).

REVISE SU MOBILIARIO EN FORMA PERIÓDICA PARA DETECTAR UNIONES DESPEGADAS, TORNILLOS FLOJOS O CUALQUIER OTRO PROBLEMA QUE PUDIERA AFECTAR LA ESTABILIDAD DEL MISMO. APRIETE LOS TORNILLOS O REPARE LAS PIEZAS SEGÚN CORRESPONDA.

ESTE DISEÑO ESTÁ SUJETO A CAMBIOS SIN PREVIO AVISO

Lista de piezas

ANTES DE ENSAMBLAR, verifique que haya recibido todas las piezas que se listan en la lista de piezas que se presenta a continuación.

Parte	Descripción	Cantidad	Parte	Descripción	Cantidad	Parte	Descripción	Cantidad
A	Panel lateral izquierdo	1	P	Panel posterior izquierdo/derecho	2	ZF	Tornillo para metal #8 x 1"	4
B	Panel lateral derecho	1	Q	Panel posterior central superior	1	ZG	Tornillo de cabeza plana #6 x 5/8"	48
CB	Estante inferior	1	R	Panel posterior central inferior	1	ZH	Tornillo negro de 1 5/8"	5
CC	Estante central	1	S	Puerta superior	2	ZI	Tornillo negro de 1 1/4"	12
D	Moldura del estante central	1	T	Puerta inferior	2	ZJ	Tornillo negro de 2"	7
E	Base	1	U	Estante grande ajustable	1	ZK	Conector de leva	16
F	Pata izquierda	1	V	Estante corto ajustable	2	ZL	Tuerca de sujeción para leva	16
G	Pata derecha	1	W	Tornillo Philtruss #6 x 1/2"	46	ZM	Tornillo negro de cabeza troncocónica (tipo 17) #6 x 1 1/4"	9
H	Corona	1	X	Abrazadera para esquina	2	ZN	Cierre magnético	2
I	Moldura izquierda de la corona	1	Y	Pata niveladora	2	ZO	Cierre magnético doble	1
J	Moldura frontal de la corona	1	Z	Tachuela de cabeza redonda	2	ZP	Taquete	3
K	Moldura derecha de la corona	1	ZA	Bisagra	8	ZQ	Faldón para puerta	1
L	Parte superior	1	ZB	Tirador	4	ZR	Tapón de bloqueo	2
M	Espaciador de la corona	1	ZC	Soporte para estante	12			
N	Moldura grabada en relieve	1	ZD	Tornillo de cabeza troncocónica #8 x 5/8"	8			
O	Divisor vertical	1	ZE	Tornillo de latón #6 x 3/8"	12			

NORMAS DE SERVICIO: REEMPLAZAREMOS TODA PIEZA QUE DURANTE EL ENSAMBLE SE ENCUENTRE DEFECTUOSA, FALTANTE O DAÑADA. PARA OBTENER PIEZAS DE REPUESTO POR FAVOR COMUNÍQUESE DIRECTAMENTE CON EL DEPARTAMENTO DE SERVICIO AL CLIENTE DE WHITTIER WOOD PRODUCTS. SI VIVE EN ESTADOS UNIDOS O CANADÁ, PUEDE COMUNICARSE CON NOSOTROS LLAMANDO GRATUITAMENTE AL 800-653-3336. LOS CLIENTES QUE VIVAN EN OTROS PAISES PUEDEN COMUNICARSE CON NOSOTROS LLAMANDO AL 541-687-0213, MEDIANTE FAX AL 541-687-2060 O ESCRIBIÉNDONOS A P.O. BOX 2827, EUGENE, OR, USA 97402.

EL PERSONAL DE SERVICIO AL CLIENTE ESTÁ DISPONIBLE DE LUNES A VIERNES, DE 7:00 AM A 5:00 PM HORA ESTÁNDAR DEL PACÍFICO. PUEDE DEJAR UN MENSAJE PARA EL PERSONAL DE SERVICIO AL CLIENTE LAS 24 HORAS DEL DÍA, LOS SIETE DÍAS DE LA SEMANA.

CUANDO SE COMUNIQUE CON NOSOTROS, POR FAVOR PROPORCIONE EL NÚMERO DE MODELO DEL MUEBLE, LA LETRA DE LA PIEZA, LA CANTIDAD QUE NECESITA, LA RAZÓN DEL REEMPLAZO Y SU NOMBRE Y DIRECCIÓN COMPLETOS, ADEMÁS DE SU NÚMERO DE TELÉFONO POR SI NECESITAMOS COMUNICARNOS CON USTED.

732W Centro de esquina para TV y equipo de audio y video INSTRUCCIONES PARA ARMAR

HERRAMIENTAS NECESARIAS:

Destornillador Phillips y plano, cinta para medir, martillo, pegamento para madera.

IMPORTANTE:

NOTA: Debido a que se utilizan diferentes tipos de madera, recomendamos que primero pruebe el color deseado.

Para probar el color deseado en:

- Piezas enchapadas - aplique colorante a una porción no expuesta del panel lateral.
- Piezas de aliso - aplique colorante a la parte posterior de la base.

NOTA: Con el fin de controlar los costos y conservar los recursos naturales, refabricamos algunos componentes, cortándolos en piezas más pequeñas para eliminar los defectos. Esto puede ocasionar orificios o ranuras en lugares donde no se notarán tal como en la parte inferior del estante inferior. Estos orificios adicionales se deben ignorar al armar su producto.

FIG. 1 – WOOD TRIM TO FRONT = BORDE CON ACABADO DE MADERA HACIA EL FRENTE.

Estos paneles laterales tienen marcada por compresión una letra en el borde inferior: **L** para identificar el izquierdo y **R** para el derecho.

Vertical Divider stamped “BOTTOM” on bottom edge = El borde inferior del divisor vertical está identificado con la palabra “BOTTOM”.

Stain test area = Área de ensayo del colorante
El borde debe quedar apenas tocando la madera

NO EMBUTA EL BORDE ADENTRO DE LA MADERA

- Instale los Conectores de Leva (ZK):
cuatro a cada uno de los Paneles Laterales (A y B)
cuatro en la Moldura del Estante Central (D)
cuatro en la Base (E)

Pegue los Taquetes (ZP):
tres en el borde superior del Divisor Vertical (O).

LEA LAS INSTRUCCIONES PARA EL FUNCIONAMIENTO DEL SISTEMA DE SUJECIÓN DE CONECTORES DE LEVA EN LA HOJA ADJUNTA

FIG. 2 – WOOD TRIM TO FRONT = BORDE CON ACABADO DE MADERA HACIA EL FRENTE.

El borde inferior del divisor vertical está identificado con la palabra “BOTTOM”.

- Utilizando tres Taquetes (ZP) fije el Divisor Vertical (O) a la parte inferior del Estante Central (CC). Los cuatro orificios que están en uno de los bordes del estante central y del estante inferior deben quedar en la misma dirección que el acabado de madera del divisor vertical. Comience a instalar tres Tornillos Negros de 1⁵/₈" (ZH) a través de los orificios que se encuentran en el centro del Estante Inferior (CB) de manera que comiencen a sobresalir por la parte superior del estante. Ali-

nee los tornillos con los orificios en el borde inferior del divisor vertical y apriete bien.

FIG. 3 – Borde con acabado de madera hacia abajo

- Instale el Panel Lateral Izquierdo (A) al Estante Central (CC) y al Estante Inferior (CB) con Tuercas de Sujeción para Leva (ZL). Instale la Corona (H) al Panel Lateral Izquierdo con un Tornillo Negro de 1⁵/₈" (ZH) a través del orificio que se encuentra en el panel lateral y dentro de la corona. De la misma manera instale el Panel Lateral Derecho (B).

FIG. 4A – Glue = Pegamento

- Instale la Pata Izquierda (F) y la Pata Derecha (G) a la Base (E), utilizando pegamento y dos Tornillos Negros de 2" (ZJ). Asegúrese que los bordes y la parte posterior de las patas estén al ras con la base. Utilizando Tuercas de Sujeción para Leva (ZL) instale la Base (E) al Estante Inferior (CB). Instale la Moldura del Estante Central (D) al frente del Estante Central (CC) teniendo los conectores de leva en la parte inferior. Utilice cuatro Conectores de Leva (ZK) y Tuercas de Sujeción para Leva (ZL). La moldura sobresaldrá más allá de la parte inferior del estante.
- Con la ranura para el grabado en relieve hacia abajo, instale el Espaciador de la Corona (M) a la Corona (H) con tres Tornillos Negros de 1¹/₄" (ZI) a través de los orificios inferiores de la corona y dentro de los orificios del espaciador. Los orificios superiores que no se usan de la corona y del espaciador deben quedar alineados. El borde superior del espaciador quedará aproximadamente una pulgada más abajo que el borde superior de la corona. Pegue la Moldura Grabada en Relieve (N) en la ranura que tiene el Espaciador de la Corona.
- Primero instale la Parte Superior (L) a los Paneles Laterales Izquierdo y Derecho, y luego la corona con Tornillos Negros de 1¹/₄" (ZI) a través de los orificios que se encuentran en la parte superior y en los paneles laterales. La parte superior sobresaldrá aproximadamente una pulgada más allá del frente de los paneles laterales y 3/8 de pulgada sobre los lados.

7. Utilizando tres Tornillos negro de Cabeza Troncocónica #6 x 1/4" Tipo 17 (ZM) fije el Panel Posterior Central Superior (Q) a la Parte Superior (L). El borde superior del panel posterior debe quedar al ras con la Parte Superior y el borde ranurado debe quedar hacia fuera. Coloque el borde ranurado del Panel Posterior Central Inferior (R) contra el panel posterior central superior y fije en su lugar con tres Tornillos negro de Cabeza Troncocónica #6 x 1/4" Tipo 17 (ZM) a través de los orificios taladrados en fábrica. Fije el borde inferior al estante inferior con otros tres tornillos.

FIG. 7B — Upper Center Back (Q) = Panel Posterior Central Superior (Q)
L/R Back (P) = Panel Posterior Izquierdo/Derecho (P)
Center Shelf (CC) = Estante Central (CC)
Lower Center Back (R) = Panel Posterior Central Inferior (R)

Inserte un Panel Posterior Izquierdo/Derecho (P) en la ranura de cada Panel Lateral (A y B), de manera que las aberturas ovaladas para pasar cables quedan detrás del Estante Central (CC). Fije en su lugar utilizando Tornillos Philtruss #6 x 1/2" (W) a través de los orificios de los paneles posteriores. Los paneles laterales izquierdo y derecho se extienden ligeramente más allá de los paneles posteriores traseros.

Instale una Abrazadera para Esquina (X) en la base y los paneles laterales con Tornillos de Cabeza Troncocónica #8 x 5/8" (ZD) a 1/4" desde la parte inferior. Atornille las Patas Niveladoras (Y) hasta adentro en las abrazaderas para esquina. Con un martillo, instale las Tachuelas de Cabeza Redonda (Z) en la parte inferior del panel posterior central inferior a aproximadamente una pulgada del borde.

FIG. 8 – Glue = Pegamento
El borde de la parte superior va en la ranura

8. Con la unidad en posición vertical, coloque una línea delgada de pegamento a lo largo del borde frontal de la Parte Superior. Inserte la ranura de la parte posterior de la Moldura Frontal de la Corona (J) sobre el borde frontal de la Parte Superior, alineándola de lado a lado en el espaciador de la corona y sujete con tres Tornillos Negros de 2" (ZJ) a través de los orificios de la corona.

FIG. 9 – Glue = Pegamento; Front = Frente
(INSERTE EL TORNILLO POSTERIOR PRIMERO)

9. Ponga un poco de pegamento en el lado izquierdo de la Parte Superior y en la esquina en inglete de la Moldura Izquierda de la Corona (I) antes de centrar cuidadosamente la moldura de manera que el frente de la esquina en inglete corresponda exactamente con la esquina de la Moldura Central de la Corona (J). Comenzando por la parte posterior, sujete la Moldura Izquierda de la Corona al panel lateral con dos Tornillos Negros de 1/4" (ZI) a través de los orificios del panel lateral y dentro de la moldura.

Repita el procedimiento anterior para instalar la Moldura Derecha de la Corona (K).

FIG. 10 – Double fold = Ala doble
Single fold = Ala sencilla

10. Instale las Bisagras (ZA) a cada lado de los bordes exteriores de las Puertas Superior e Inferior (S y T) con Tornillo de cabeza plana #6 x 5/8" (ZG) a través de los orificios elongados de la bisagra. El tornillo externo va en el orificio que tiene la puerta. El ala sencilla de la bisagra debe instalarse con el lado y parte superior al ras con la puerta. Consulte la FIGURA 10. Instale el faldón (ZQ) en la puerta superior derecha o izquierda, según el lado que desee abrir primero. Coloque la puerta

superior boca abajo en posición horizontal, mida 5/8 de pulgada desde el borde externo y trace una línea tenue. Coloque el faldón (ZQ) sobre la línea de modo que quede al ras del borde inferior de la puerta. Fije el faldón a la puerta introduciendo cuatro tornillos Philtruss #6 x 1/2 pulgadas en los orificios perforados en fábrica ubicados en el faldón. Vea la FIGURA 10A.

FIG. 11 – Aún no inserte el tornillo en el orificio redondo.

11. Con la unidad en posición vertical, instale las puertas superiores a los paneles laterales con dos Tornillo de cabeza plana #6 x 5/8" (ZG) a través de los orificios elongados. Cada panel lateral tiene una marca para indicar la ubicación del tornillo superior de cada bisagra. Abra y cierre las puertas para verificar que estén bien alineadas. Si es necesario ajustar, afloje los tornillos y mueva las puertas hacia arriba o hacia abajo según sea necesario.
12. Nivele la unidad girando las patas niveladoras en las abrazaderas para esquina. El estante inferior tiene dos orificios cerca del frente para tener acceso a las patas niveladoras. Inserte un destornillador plano en la ranura que se encuentra en la parte superior de las patas niveladoras y gire hacia la derecha para subir y hacia la izquierda para bajar la unidad. Inserte los Tapones de Bloqueo (ZR) cuando la unidad esté nivelada.

AVISO IMPORTANTE: Si la unidad no está bien nivelada utilizando las patas niveladoras, puede torcerse la unidad y las puertas parecerán estar mal alineadas. Al seleccionar el lugar permanente de la unidad, gire las patas niveladoras hasta que la unidad quede nivelada. Si las puertas aún parecen mal alineadas, puede ajustar las puertas gracias a los orificios elongados de las bisagras. Afloje los tornillos del panel lateral para que las puertas se puedan mover hacia arriba o hacia abajo. Tal vez sea necesario aflojar las bisagras de ambas puertas para alinearlas correctamente. Alinee las puertas y vuelva a apretar los tornillos.

Una vez que las puertas estén bien alineadas y la unidad esté en su lugar permanente, abra las puertas e inserte el tercer tornillo en el orificio redondo de las bisagras.

Siga el mismo procedimiento para instalar las puertas inferiores.

13. Utilizando los tornillos de cabeza troncocónica que vienen en el juego de cierres magnéticos, instale el Cierre Magnético Doble (ZO) en la parte inferior del espaciador de la corona, centrándolo de lado a lado y al ras con el borde frontal. Utilizando los tornillos de cabeza plana que vienen en el juego de cierres magnéticos, instale las placas del cierre magnético al borde superior interior de las puertas superiores donde hagan contacto con el cierre magnético.

Instale los Cierres Magnéticos sencillos (ZN) para las puertas inferiores en el divisor vertical debajo del estante central, al ras con el borde frontal del divisor vertical. Instale uno ligeramente debajo del otro, de manera que los tornillos de los cierres magnéticos no queden exactamente opuestos.

14. Instale los Tiradores (ZB) a las puertas utilizando Tornillos para Metal #8 x 1" (ZF).

15. Instale los Estantes Ajustables (U y V) en los lugares deseados usando los Soportes para Estante (ZC). Apriete en lugar utilizando Tornillos de Latón #6 x 3/8" (ZE). Los orificios para los soportes para estante están alternados de manera que si desea colocar los soportes al mismo nivel, use los orificios frontales en un lado del divisor vertical y los orificios traseros en el otro lado.



732W

Meuble audio-vidéo de coin Cambridge

Ne pas monter, s'asseoir ni se mettre debout sur cet article d'ameublement.

Ne pas surcharger les étagères de cet article d'ameublement.

Ne pas déplacer cet article d'ameublement s'il est chargé. Le décharger avant de le déplacer.

Avant de charger ou de déplacer cet article d'ameublement, vérifier si toutes les vis et tous les supports sont solidement attachés.

POUR USAGE MÉNAGER NORMAL SEULEMENT.
N'EST PAS RECOMMANDÉ POUR USAGE COMMERCIAL.

FÉLICITATIONS POUR VOTRE CHOIX. CE MEUBLE WHITTIER, EN BOIS DUR DE QUALITÉ, AJOUTERA UNE TOUCHE D'ÉLÉGANCE À VOTRE INTÉRIEUR. IL VOUS SUFFIT DE SUIVRE LES INSTRUCTIONS POINT PAR POINT.

REMARQUES IMPORTANTES :

- LISEZ ENTIÈREMENT LES INSTRUCTIONS AVANT DE COMMENCER L'ASSEMBLAGE.
- IL EST RECOMMANDÉ DE PONCER ULTÉRIEUREMENT AVEC UN ABRASIF DE GRAIN 220 POUR REHAUSSER LA BEAUTÉ DU BOIS.
- PONCEZ TOUJOURS DANS LE SENS DU GRAIN DU BOIS. VEILLEZ À NE PAS PONCER À TRAVERS LE PLACAGE.
- LISEZ LES CONSEILS CI-JOINTS AVANT LA FINITION.
- POUR SCELLER LE BOIS, APPLIQUEZ AU MOINS UNE COUCHE DE POLYURÉTHANE, DE VERNIS, DE LAQUE OU L'ÉQUIVALENT SUR TOUS LES CÔTÉS. CECI EMPÊCHERA LES CHANGEMENTS D'HUMIDITÉ QUI POURRAIENT CAUSER UN GAUCHISSEMENT OU UN VOILEMENT TRANSVERSAL DANS LE FUTUR.
- CONSERVEZ LES PANNEAUX : 1) DANS LEUR BOÎTE, 2) À UN ENDROIT SEC, 3) À DES TEMPÉRATURES VARIANT ENTRE 40 ET 90°. (NON SUR UN SOL EN CIMENT FROID, ÉVENTUELLEMENT HUMIDE.)

INSPECTEZ RÉGULIÈREMENT VOTRE MEUBLE, POUR VOIR SI LES PIÈCES SE DÉCOLLENT OU SI LES VIS SE DESSERRENT OU SI VOUS REMARQUEZ TOUT AUTRE PROBLÈME RISQUANT D'AFFECTER LA STABILITÉ DU MEUBLE. RESSERREZ OU RÉPAREZ AU BESOIN.

LE MODÈLE EST SUJET À CHANGEMENTS SANS PRÉAVIS.

Nomenclature des pièces

AVANT DE COMMENCER LE MONTAGE, assurez-vous que les quantités des pièces reçues correspondent à la nomenclature des pièces figurant ci-dessous.

PIÈCE	DESCRIPTION	QTÉ	PIÈCE	DESCRIPTION	QTÉ	PIÈCE	DESCRIPTION	QTÉ
A	Panneau gauche	1	P	Arrière gauche/droit	2	ZE	Vis en laiton n° 6 x 3/8 po	12
B	Panneau droit	1	Q	Arrière central supérieur	1	ZF	Vis à usiner n° 8 x 1 po	4
CB	Étagère du bas	1	R	Arrière central inférieur	1	ZG	Vis à tête plate n° 6 x 5/8 po	48
CC	Étagère du milieu	1	S	Porte supérieure	2	ZH	Vis noire 1 5/8 po	5
D	Moulage de l'étagère du milieu	1	T	Porte inférieure	2	ZI	Vis noire 1 1/4 po	12
E	Base	1	U	Grande étagère réglable	1	ZJ	Vis noire 2 po	7
F	Pied gauche	1	V	Petite étagère réglable	2	ZK	Connecteur de came	16
G	Pied droit	1	W	Vis Philtruss n° 6 x 1/2 po	46	ZL	Boîtier de came	16
H	Couronne	1	X	Cornière d'immobilisation	2	ZM	Vis noire à tête bombée type 17 n° 6 x 1 1/4 po	9
I	Moulage de couronne gauche	1	Y	Vérin de calage	2	ZN	Loquet magnétique	2
J	Moulage de couronne avant	1	Z	Punaise	2	ZO	Double loquet magnétique	1
K	Moulage de couronne droit	1	ZA	Charnière	8	ZP	Teno en bois	3
L	Dessus	1	ZB	Bouton	4	ZQ	Jupe de porte	1
M	Pièce intercalaire de couronne	1	ZC	Support d'étagère	12	ZR	Bouton de verrouillage	2
N	Moulage en relief	1	ZD	Vis à tête bombée n° 8 x 5/8 po	8			
O	Séparateur vertical	1						

POLITIQUE DE SERVICE : NOUS REMPLACERONS TOUTES PIÈCES DÉFECTUEUSES, MANQUANTES OU ENDOMMAGÉES PENDANT LE MONTAGE. VEUILLEZ CONTACTER DIRECTEMENT LE SERVICE CLIENTÈLE DE WHITTIER WOOD PRODUCTS POUR OBTENIR DES PIÈCES DE RECHANGE. SI VOUS VIVEZ AUX ETATS-UNIS OU AU CANADA, VOUS POUVEZ NOUS APPELER GRATUITEMENT AU 800-653-3336. TOUS LES AUTRES CLIENTS PEUVENT NOUS JOINDRE EN APPELANT LE 541-687-0213, EN ENVOYANT UNE TÉLÉCOPIE AU 541-687-2060 OU EN ÉCRIVANT À P.O. BOX 2827, EUGENE, OR 97402, U.S.A.

LE PERSONNEL DU SERVICE CLIENTÈLE EST DISPONIBLE DU LUNDI AU VENDREDI, DE 7 H À 17 HEURES, HEURE DU PACIFIQUE. VOUS POUVEZ LAISSER UN MESSAGE 24 HEURES SUR 24, SEPT JOURS SUR SEPT.

LORSQUE VOUS NOUS CONTACTEZ, VEUILLEZ FOURNIR LE NUMÉRO DE MODÈLE DU MEUBLE, LA LETTRE DE LA PIÈCE, LA QUANTITÉ DONT VOUS AVEZ BESOIN, LA RAISON DU REMPLACEMENT, VOTRE NOM ET ADRESSE COMPLETS, AINSI QUE VOTRE NUMÉRO DE TÉLÉPHONE AU CAS OÙ NOUS AURIONS BESOIN DE VOUS CONTACTER.

732W Meuble audio-vidéo de coin Cambridge INSTRUCTIONS DE MONTAGE

OUTILS NÉCESSAIRES : Tournevis Cruciforme et tournevis, mètre-ruban, marteau, colle à bois.

REMARQUE :

Du fait que plusieurs types de bois durs sont utilisés, nous recommandons de procéder à des tests pour obtenir la couleur désirée. *Pour tester la couleur désirée sur :*

- Des pièces en placage - appliquez la teinture sur une portion non visible du panneau latéral.
- Des pièces en aulne - appliquez la teinture sur l'arrière de la base.

REMARQUE : Afin de réduire les coûts et de conserver les ressources naturelles, nous reconstruisons certains éléments en les coupant en pièces plus petites pour éliminer les défauts. C'est la raison pour laquelle des trous ou des rainures peuvent apparaître dans des endroits non visibles, par exemple au fond de l'étagère du haut. Ne tenez pas compte de ces trous supplémentaires lorsque vous montez votre meuble.

FIG. 1 – Wood trim to front = Garniture en bois à l'avant

Les panneaux latéraux sont estampillés sur le bord inférieur : « L » pour gauche, « R » pour droit.

Stain test area = Zone de test de teinture

Le séparateur vertical est estampillé « BOTTOM » (fond) sur le bord du bas.

Shoulder must be flush with the wood = L'épaulement doit être à ras du bois.

N'ENCASTREZ PAS L'ÉPAULEMENT DANS LE BOIS !

1. Installez les connecteurs de came (ZK) comme suit :
quatre dans chaque panneau latéral (A et B)
quatre dans le moulage de l'étagère du milieu (D)
quatre dans la base (E)

Collez les tenons en bois (ZP) :
trois dans le bord supérieur du séparateur vertical (O)

LISEZ LES INSTRUCTIONS SUR LE SYSTÈME CAM-LOCK.

Fig. 2 – Wood trim to front = Garniture en bois à l'avant
Le séparateur vertical est estampillé « BOTTOM » (fond) sur le bord du bas.

2. Fixez le séparateur vertical (O) au bas de l'étagère du milieu (CC) au moyen de trois tenons en bois (ZP). Les quatre trous de l'un des bords de l'étagère du milieu et de l'étagère du bas doivent être orientés dans la même direction que la garniture en bois du séparateur vertical. Introduisez trois vis noires 1 x 5/8 po (ZH) dans les trous préforés borgnes du centre de l'étagère du bas (CB), de manière à ce qu'ils sortent à travers le dessus de l'étagère. Alignez les vis sur les trous du bord inférieur du séparateur vertical et serrez-les bien.

FIG. 3 – Garniture en bois vers le bas

3. Fixez le panneau de gauche (A) à l'étagère du milieu (CC) et à l'étagère du bas (CB) au moyen des boîtiers de came (ZL). Fixez la couronne (H) au panneau de gauche au moyen d'une vis noire 1⁵/₈ po (ZH) que vous introduisez dans le trou préforé du panneau latéral, puis dans la couronne. Fixez de la même manière le panneau de droite (B).

FIG. 4a – Glue = Colle

4. Fixez le pied gauche (F) et le pied droit (G) à la base (E) avec de la colle et deux vis noires de 2 po (ZJ). Assurez-vous que les extrémités et l'arrière des pieds sont à ras de la base. Fixez la base (E) à l'étagère du bas (CB) au moyen des boîtiers de came (ZL).

Fixez le moulage de l'étagère du milieu (D) à l'avant des connecteurs au fond de l'étagère du milieu (CC). Utilisez quatre connecteurs de came (ZK) et boîtiers de came (ZL). Le moulage fait saillie par rapport au fond de l'étagère.

5. L'encoche de l'emblème en relief étant orientée vers le fond, fixez la pièce intercalaire de couronne (M) à la couronne (H) au moyen de trois vis noires 1¹/₄ po (ZI) que vous introduisez dans les trous préforés inférieurs de la couronne, puis dans les trous de guidage de la pièce intercalaire de couronne. Les trous supérieurs inutilisés de la couronne et de la pièce intercalaire de couronne doivent être alignés. Le bord supérieur de la pièce intercalaire de couronne sera à environ 2,54 cm (1 po) au-dessous du bord supérieur de la couronne. Collez le moulage en relief (N) dans la rainure de la pièce intercalaire de couronne.
6. Fixez d'abord le dessus (L) aux panneaux de gauche et de droite, puis fixez la couronne au moyen des vis noires 1¹/₄ po (ZI) que vous introduisez dans les trous préforés des panneaux supérieur et latéral. Le dessus dépasse l'avant des panneaux latéraux d'environ 2,54 cm (1 po) et les côtés d'environ 0,95 cm (3/8 po).