

Model #

# 861Wf

## Melina Desk

### Assembly Instructions



#### Congratulations!

*This fine piece of furniture will make a gorgeous addition to your home. For the best results, read the Assembly Instructions and Finishing Hints before you begin your project.*

#### IMPORTANT NOTES:

- For normal household use only. *Not* recommended for commercial use.
- Do not climb, sit or stand on this piece of furniture.
- Unload items before you move this unit.
- Do not overload drawers on this unit.
- Before you begin your project, completely read the Assembly Instructions and Finishing Hints.
- Store this item: 1- in its box; 2- in a dry place; 3- in temperatures that range from 40°F to 90°F (not on a cold and possibly damp cement floor).
- Periodically inspect your furniture for any loose glue joints, screws or any other problem that might affect the stability of your furniture. Tighten or repair as needed.

#### WARNING

##### Notice to California Customers

California Prop 65 requires consumer goods to be labeled if any one of 850+ different chemicals or substances, including wood dust, is present even in trace amounts. Drilling, sawing, sanding or machining wood products generates wood dust, a substance known to the State of California to cause cancer. **Warning:** This product contains a chemical or substance known to the State of California to cause cancer, birth defects or other reproductive harm.

*California Health and Safety Code Section 25249.6*

**DESIGN SUBJECT TO CHANGE WITHOUT NOTICE.**



**CALL US FIRST!** *Do not return this item to the store*

**Service Policy:** We will replace any part that is defective, missing or damaged during assembly. For a replacement part, directly contact Whittier Wood Products customer service department by phone, fax, mail or email.

**Hours:** Our friendly customer service staff can be reached Monday-Friday 7:00 a.m. to 5:00 p.m. (Pacific Time). You may leave a message 24 hours a day, seven days a week.

**To Order:** Provide the furniture model number (upper portion of this page), the part letter, production code, quantity needed, reason for replacement and your full name, address and telephone number.

*Parts ship from our Eugene, Oregon factory within one or two business days from the time we receive your request. Please allow five to ten business days for delivery.*

**800-653-3336** • Outside the U.S. or Canada: 541-687-0213 • Fax: 541-687-2060  
www.whittierwood.com • P.O. Box 2827 • Eugene, Oregon 97402, U.S.A.

**Whittier  
Wood**  
FURNITURE

P.O. Box 2827  
Eugene, OR 97402 USA

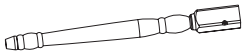
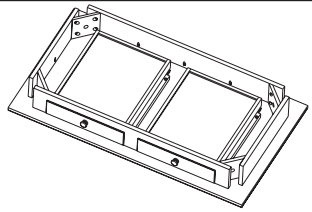





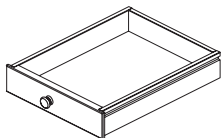

Production Code:

VN

07/13

# 861Wf Melina Desk — Parts List

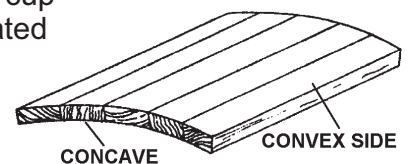
Please identify the parts and check that quantities received match what is on this list.  
If you need to replace a part, refer to the following letter and item name.

Part	Description	Quantity
Ae	Leg 	4
Bf	Top Assembly 	1
Ee	Knob (attached) 	2
G	4 x 25mm Machine Screw (inserted) 	2
H	3/8" x 2-1/2" Hex Bolt 	4
I	Washer 	4
J	Insert Nut (inserted) 	4
K	Drawer (assembled) 	2
L	#8x1-1/4" Pan Head Screw (inserted) 	37

## SPECIAL INSTRUCTIONS

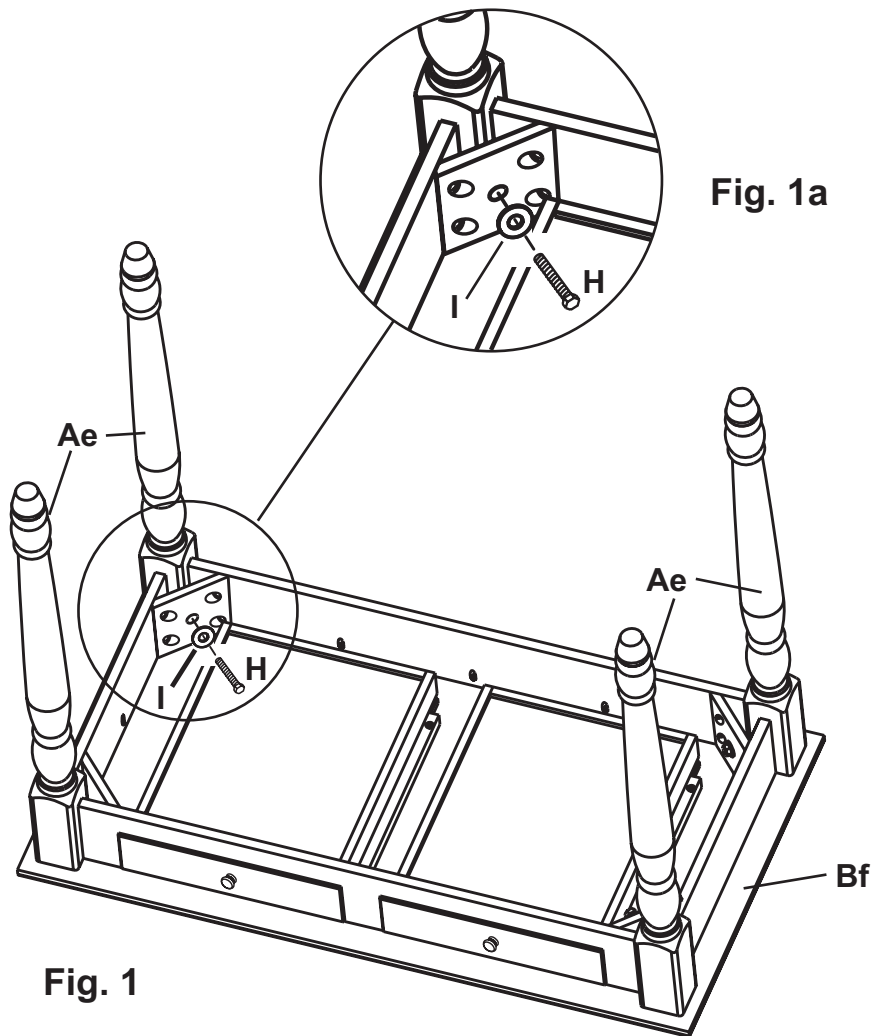
If a top or panel should become cupped, do not be alarmed. The panel was flat when it was manufactured. It is a natural characteristic of wood in an unfinished state to cup from uneven moisture conditions. The figure at the right shows an exaggerated view of what could happen. This only means that the **convex side has absorbed moisture, or the concave side has dried out.**

Usually a cupped panel will equalize and straighten out if both sides are exposed to similar conditions for a day or so.



# 861Wf Melina Desk Assembly Instructions

Tools Required: 9/16" or Adjustable Wrench



1. Place the Desk Top Assembly (Bf) face-down on a clean, protected surface. Position each Leg (Ae) at the apron corners so the holes in the Legs face inward. Place a 3/8"x 2-1/2" Hex Bolt (H) through a Washer (I) and the predrilled hole in the corner brace and tightly thread into the Insert Nut (J) in each Leg. See Figures 1 and 1a.

Modelo #

# 861Wf

## Escritorio Melina

*Instrucciones de ensamble*



### ¡Felicitaciones!

*Este elegante mueble será una hermosa adición para su hogar. Para obtener los mejores resultados, lea las instrucciones de ensamble y las indicaciones finales para comenzar su proyecto.*

### NOTAS IMPORTANTES:

- Para uso de viviendas normales únicamente. *No se recomienda para uso comercial.*
- No se suba, no se siente ni se pare sobre este mueble.
- No mueva este mueble mientras esté lleno. Vacíelo antes de moverlo.
- No cargue en exceso el cajón de este mueble.
- Antes de comenzar su proyecto, lea completamente las instrucciones de ensamble y las indicaciones finales.
- Guarde este artículo: 1- en esta caja; 2- en lugar seco; 3- en temperaturas entre los 40°F y 90°F (no en un piso de cemento frío y posiblemente húmedo).
- Inspeccione habitualmente el mueble para corroborar que no se hayan despegado las juntas, aflojado los tornillos o por algún otro problema que pueda afectar su estabilidad. Ajuste o repare según sea necesario.

### ⚠ ADVERTENCIA

#### Aviso Para Todos Los Clientes de California

La Prop 65 de California requiere que los bienes de consumo sean etiquetados si alguno de los más de 850 diferentes productos químicos o sustancias, incluyendo el polvo de madera, está presente, incluso en pequeñas cantidades. Taladrar, aserrar, lijar o manufacturar productos de madera genera polvo de madera, una sustancia que según el Estado de California provoca cáncer. **Advertencia:** Este producto contiene un químico o una sustancia conocida en el Estado de California como causante de cáncer, defectos del nacimiento u otros daños reproductivos. *Código de Salud y Seguridad de California, Sección 25249.6*

**DISEÑO SUJETO A CAMBIO SIN AVISO.**

**¡LLÁMENOS PRIMERO!** *No divuelva este artículo a la tienda*

**Política de servicio:** Reemplazaremos cualquier parte que sea defectuosa, que falte o esté dañada durante el ensamble. Para obtener una parte de reemplazo, contáctese directamente con el departamento de servicio al cliente de Whittier Wood Products por teléfono, fax, correo postal o electrónico.

**Horario:** Nuestro cordial personal de servicio al cliente está disponible de lunes a viernes de 7:00 a.m. a 5:00 p.m. (Horario del Pacífico). Puede dejar un mensaje las 24 horas del día, los siete días de la semana.

**Para hacer pedidos:** Provea el número de modelo del mueble (esquina izquierda superior de esta página), la letra de la parte, el código de producción, la cantidad necesaria, el motivo del reemplazo, su nombre completo, dirección y número de teléfono.

*Las partes se envían desde nuestra fábrica en Eugene, Oregón, dentro de uno o dos días hábiles desde el día en que recibimos su pedido. Permita entre cinco y diez días hábiles para la entrega.*

800-653-3336 • Fuera de los Estados Unidos o Canadá 541-687-0213 • Fax: 541-687-2060  
www.whittierwood.com • P.O. Box 2827 • Eugene, Oregon 97402, U.S.A.

**Whittier  
Wood**  
FURNITURE

P.O. Box 2827  
Eugene, OR 97402 USA

Código de producción:

VN

07/13

# 861Wf Escritoria Melina

## Lista de piezas

Identifique las piezas y verifique que las cantidades que recibió coincidan con las de la lista.  
Si necesita reemplazar una pieza remítase a la siguiente letra y nombre de la misma.

	Cant.		Cant.
Ae Pata .....	4	H Perno de Hexagonal 3/8" x 2-1/2" .....	4
Bf Conjunto de panel superior .....	1	I Arandela .....	4
Ee Perilla de madera (unido) .....	2	J Tuerca de Inserción (insertado) .....	4
G Tornillo de Máquina 4x25mm (insertado) ..	2	K Conjunto de Cajon (insertado) .....	2
		L Tornillo de cabeza troncocónica #8x1-1/4" (insertado) .....	37

## Instrucciones de ensamblaje

**Herramientas Necesarias:** Llave Regualable o 9/16"

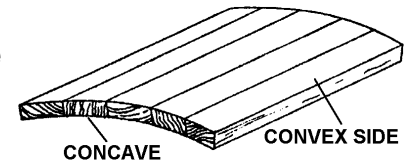
1. Coloque el conjunto superior (Bf) boca abajo sobre una superficie limpia y protegida. Coloque cada una de las Patas (Ae) en la esquina del faldón, tal como se indica. Introcuzca en la pata un Perno Hexagonal 3/8" x 2-1/2" (H) con una Anrandela (I) a través de la sujeción de la pata en la tuerca de inserción (J) y fjela firmemente. Ver Figuras 1 y 1a.

## INSTRUCCIONES EXPECIALES

Si la tapa o uno de los páneles se pandea, no se preocupe. En el momento de su fabricación los páneles se encontraban planos. La madera no tratada tiene la propiedad natural de arquearse en condiciones variables de humedad. En la figura a la derecha se muestra una representacón exagerada de los efectos que se pueden producir. En este caso **el lado convexo ha absorbido humedad** o bien **el lado cóncavo se ha secado**.

Los paneles encorvados suelen emparejarse al cabo de uno o varios días si ambos lados son sometidos a condiciones uniformes.

**Concave = Cóncavo Convex = Convexo**



No. De Modèle

# 861Wf

## Bureau Melina

Instructions d'assemblage



### Félicitations!

Ce joli meuble apportera une touche d'élégance à votre intérieur. Pour de meilleurs résultats, consulter les instructions d'assemblage ainsi que les conseils de finition avant de commencer.

### REMARQUES IMPORTANTES :

- Pour un usage domestique uniquement. *Non* recommandé pour un usage commercial.
- Ne pas monter, s'asseoir ni se mettre debout sur cet article d'ameublement.
- Ne pas déplacer cet article d'ameublement s'il est chargé. Le décharger avant de le déplacer.
- Ne pas surcharger le tiroir de cet article d'ameublement.
- Avant de commencer, lire attentivement les instructions d'assemblage et les conseils de finition.
- Entreposer cet article : 1- dans son emballage; 2- dans un endroit sec; 3- à des températures entre 5 °C et 32 °C (éviter le sol en ciment froid et potentiellement humide).
- Inspecter régulièrement votre meuble afin de déceler les joints décollés ou les vis desserrées, ou tout autre problème pouvant affecter la stabilité de votre meuble. Serrer ou réparer le cas échéant.



### AVERTISSEMENT

#### Avis Aux Clients De Californie

La proposition 65 de Californie exige l'étiquetage des biens de consommation lorsque l'un des 850 (et plus) agents ou substances chimiques, dont les poussières de bois, est présent, même en quantités négligeables. Le perçage, le sciage, le ponçage ou l'usinage des produits du bois génère de la poussière de bois, une substance déterminée comme étant cancérigène par l'État de Californie. **Mise en garde** : L'État de Californie reconnaît que ce produit contient un agent ou une substance chimique pouvant causer le cancer, des anomalies congénitales ou autres dommages sur l'appareil reproducteur. Code de la santé et de la sécurité de Californie, article 25249.6

**LE MODÈLE EST SUJET À MODIFICATION SANS PRÉAVIS.**



**APPELEZ-NOUS D'ABORD! Ne retournez pas ce produit en magasin**

**Politique de service** : Nous remplacerons toutes les pièces défectueuses, manquantes ou endommagées pendant le montage. Pour obtenir les pièces de remplacement, merci de contacter directement le service à la clientèle de Whittier Wood Products par téléphone, télécopieur, adresse postale ou courriel.

**Horaires** : Le personnel accueillant de notre service à la clientèle est joignable du lundi au vendredi, de 7 h à 17 h (heure du Pacifique). Vous pouvez laisser un message 24 heures sur 24, sept jours sur sept.

**Pour commander** : Il vous faut fournir le numéro de modèle (coin supérieur gauche de la page), la lettre correspondant à la pièce, le code de production, la quantité nécessaire, le motif du remplacement, votre nom complet, adresse et numéro de téléphone.

*Les pièces sont expédiées de notre usine située à Eugene, Oregon, sous un ou deux jours ouvrables à compter de la réception de la demande. Le délai de livraison varie entre cinq et dix jours ouvrables.*

800-653-3336 • À l'extérieur des États-Unis et du Canada : 541-687-0213 • Télécopieur : 541-687-2060  
www.whittierwood.com • P.O. Box 2827 • Eugene, Oregon 97402, U.S.A.

**Whittier  
Wood**  
FURNITURE

P.O. Box 2827  
Eugene, OR 97402 USA

Code de production :

VN

07/13

# 861Wf Bureau Melina

## Nomenclature des pièces

Avant de commencer le montage, identifiez les pièces et assurez-vous que les quantités reçues correspondent à celles de cette liste. Si vous devez remplacer une pièce, veuillez vous référer à la liste suivante pour le nom et la lettre de la pièce.

	Qté		Qté
Ae Pied . . . . .	4	H Boulon Hexagonal 3/8 po x 2-1/2 po . . . . .	4
Bf Ensemble supérieur . . . . .	1	I Rondelle . . . . .	4
Ee Bouton (fixé). . . . .	2	J Écrou à Insertions (inséré) . . . . .	4
G Vis à Machine 4x25mm (inséré) . . . . .	2	K Ensemble de Tiroir (inséré) . . . . .	2
		L Vis à tête cylindrique no. 8 x 1-1/4 po (inséré) . . . . .	37

## Instructions de Montage

Outils Nécessaires: Clé Réglable ou 9/16 po

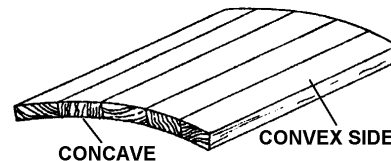
1. Placez chaque pieds (Ae) aux coins sur l'ensemble supérieur (Bf) comme indiqué dans la figure 1. Insérer un Boulon Hexagonal de 3/8 po x 2-1/2 po (H) avec une Rondelle (I) à travers le support de pied dans l'Écrou à Insertions (J) et fixer solidement. Voir Figures 1 et 1a.

## INSTRUCTIONS SPÉCIALES

Si le dessus ou un panneau se gondole, ne vous alarmez pas. Le panneau était plat lorsqu'il a été fabriqué. C'est une caractéristique naturelle du bois non fini de se gondoler en cas d'humidité inégale. La figure de droite illustre une vue exagérée de ce qui peut se produire. Cela signifie seulement que le **côté convexe a absorbé l'humidité**, ou que le **côté concave s'est desséché**.

Un panneau gondolé reprend en général sa forme première et se remet droit si ses deux côtés sont exposés à des conditions similaires pendant environ une journée.

**Concave = Concave    Convex = Convexe**





# Whittier Finishing Hints

## Checklist of materials

<input type="checkbox"/> Rubber gloves	<input type="checkbox"/> Tack cloth	<input type="checkbox"/> #220 & #320 sandpaper
<input type="checkbox"/> Lint-free rags	<input type="checkbox"/> Drop cloth	<input type="checkbox"/> Painter's tape
<input type="checkbox"/> Paper towels	<input type="checkbox"/> Stain brushes (poly bristle and foam)	<input type="checkbox"/> Wood glue
<input type="checkbox"/> Cotton swabs		<input type="checkbox"/> Dust mask

**CAUTION:** If you have environmental or chemical sensitivities, please take the necessary precautions and use personal protective equipment to aid in limiting your exposure. Personal protective equipment may include but are not limited to gloves, dust masks or respirators.

**NOTICE TO CALIFORNIA CUSTOMERS:** California Prop 65 requires consumer goods to be labeled if any one of 850+ different chemicals or substances, including wood dust, is present, even in trace amounts. Drilling, sawing, sanding or machining wood products generates wood dust, a substance known to the State of California to cause cancer. **Warning:** This product contains a chemical or substance known to the State of California to cause cancer, birth defects or other reproductive harm. California Health and Safety Code Section 25249.6

## Getting started

*Assembly Instructions may contain special finishing information or gluing requirements for that item.*

Completely read both the Assembly Instructions and these Finishing Hints before you begin your project.

**Choosing the finish:** Ask your retailer for advice on how to finish bare wood. Choose a finish that meets your expectations for the end use of the product. Will you use it as a work surface as on a desk or kitchen island? Are you matching a finish on existing furniture? The answers to these questions may affect the type of finish you choose.

**Where to work:** Choose an area that has good light and is well ventilated, warm and dry. If the work area is cold and damp, the wood finishing products may require a longer drying time than the labels indicate. Do not work in a dirty or dusty area – dirt and/or dust can embed in the finish.

## Gluing hints

These are general hints. Refer to the Assembly Instructions for detailed information on how to glue your specific product. Use wood glue such as Elmer's Wood Glue, Titebond Wood Glue or the equivalent. Some

instructions call for a slow drying epoxy glue. Carefully read the label and instructions of the glue manufacturer. Your unit may not need glue.

1. We strongly recommend that you lay out all the parts and familiarize yourself with how they fit together before assembling with glue. Glue will set up quickly. You can damage parts if you try to reposition any that have been assembled incorrectly.
2. For glue to properly bond, it is very important to apply the wood glue to bare wood. Protect your eyes and blow into holes to clear excess dust. This will help the glue to adhere to a clean surface.
3. If you plan on finishing the product before you assemble it, place painter's tape three-fourths of the way up from the end of a dowel, spindle or tenon. This protects the ends from the finishing product but allows finish application where it will be visible. Finishing products inhibit the bonding properties of wood glue. Remove the tape prior to the final assembly.
4. Avoid getting glue on surfaces to be finished. Most stains or finishes will not penetrate where glue has been spilled. Wet glue can be wiped off with a damp cloth. Follow with a light sanding of the area to ensure a proper finish.
5. It is important to apply an even coat inside holes and slots. Use a small dowel, pencil or cotton swab to spread glue evenly around the inside of the holes. Do not over glue. The tight fit of the spindles or dowels in the holes can cause glue to be pushed to the bottom of the hole. If too much glue is used it will fill the holes and not allow the spindle or dowel to be fully inserted.
6. Glue usually takes several hours to cure or harden but it will set up or grab in several seconds. Once you begin final assembly, proceed quickly.

## Finishing hints

1. Use products of the same brand to ensure compatibility. It is not recommended to mix solvent based and water based finishes. *Always read and follow all label directions on the can.*
2. Alder is a porous hardwood and often looks best when following the finishing instructions for softwoods.
3. Use a wood conditioner under oil base stains.



P.O. Box 2827  
Eugene, OR 97402 USA  
Toll Free: 800-653-3336  
Ph: 541-687-0213  
Fax: 541-687-2060  
www.whittierwood.com



## Preparing the surface

1. Sand each piece with #220 grit sandpaper. Sand with the grain of the wood on flat surfaces and opposite the grain on turnings. Some parts may be plywood. Be careful not to sand through the veneer. End grain such as table top ends, seat edges and grooves on turnings accept more stain. Extra sanding in these areas with #320 grit sandpaper reduces stain absorption and creates a more evenly stained piece.
2. When sanding is completed, wipe the surface of your furniture with a lint-free rag or tack cloth. Make sure the item is free of dust before you proceed.

## Staining

1. *Always read and follow all label directions.* Stir the stain well before you start. Stir periodically throughout the duration of the project to maintain uniform color consistency.
2. Test stain on an inconspicuous spot on your project. Put at least one coat of your top coat over the test area as it also affects the look of the stain. *Test every type of wood that is in your kit. These are identified in the Assembly Instructions.* Different types of wood may react differently to the stain color. You might need to add a second coat of stain to lighter woods to match the darker woods in your kit.
3. Apply stain with a poly brush or lint-free cloth. Apply stain over a small area and wipe off excess. Working in small areas will make the color easier to control.
4. Cotton swabs are ideal for hard to reach areas.
5. Allow the stain to dry thoroughly before you proceed.

## Applying the top coat

1. *Always read and follow all label directions.* Stir your top coat gently; do not shake. Shaking the can creates bubbles that are hard to remove.
2. All surfaces including the underside of table tops and inside drawers must be sealed with at least one layer of a top coat. This will help minimize wood swelling, shrinkage, warping and cupping due to changes in moisture content or temperature.
3. Apply a minimum of two coats when you use polyurethane or varnish (especially on all table top and work surfaces). After allowing the first coat to dry, sand lightly with #320 grit sandpaper. Remove dust with a lint-free rag or tack cloth. For added protection, apply additional coats. Lightly sand and wipe surface

with a lint-free rag or tack cloth between coats.

4. Some finishes tend to slightly raise the grain. This can be easily controlled with a light sanding between coats. Do not use steel wool when you use water-based finishes. Strands of steel fiber caught in the wood can cause rust spots when coated with any water-based product.

## Painting

1. *Always read and follow all label directions.* Since there is a large variation between paint manufacturers and products, ask your paint supplier for specific advice on how to best use the paint you purchase. Ask them specifically for advice on finishing bare wood.
2. First coat the wood with a primer. An oil based primer works best for a smooth finish. If you do not wish to use a solvent based primer, water based primer works almost as well. However it may raise the wood grain and require additional sanding.
3. Buy quality brand paint in a satin, semi-gloss, or gloss sheen. Apply a second coat for a smooth finish. Lightly sand between coats using with #320 grit sandpaper so that the second coat will bond well. Be sure to use a tack cloth after sanding to remove any residue. Repeat as desired.
4. No top coat is required when using paint.

# Consejos de Whittier para terminaciones

## Lista de control de materiales

<input type="checkbox"/> Guantes de hule	<input type="checkbox"/> Paño de adherencia	<input type="checkbox"/> Papel de lija No. 220 y No. 320
<input type="checkbox"/> Paños sin pelusas	<input type="checkbox"/> Cobertor de superficie	<input type="checkbox"/> Cinta de papel
<input type="checkbox"/> Toallas de papel	<input type="checkbox"/> Pinceles (cerdas de poliéster y espuma)	<input type="checkbox"/> Cola para Madera
<input type="checkbox"/> Hisopos de algodón		<input type="checkbox"/> Mascarillas para el polvo o respiradores

**Precaution:** Si usted padece de sensibilidades ambientales o a los químicos, tome las precauciones necesarias y utilice el equipo de protección personal para ayudar a limitar su exposición. El equipo de protección personal podría incluir, pero sin limitarse a guantes, mascarillas para el polvo o respiradores.

**Aviso Para Todos Los Clientes De California:** La Prop 65 de California requiere que los bienes de consumo sean etiquetados si alguno de los más de 850 diferentes productos químicos o sustancias, incluyendo el polvo de madera, está presente, incluso en pequeñas cantidades. Taladrar, aserrar, lijar o manufacturar productos de madera genera polvo de madera, una sustancia que según el Estado de California provoca cáncer. Advertencia: Este producto contiene un químico o una sustancia conocida en el Estado de California como causante de cáncer, defectos del nacimiento u otros daños reproductivos. Código de Salud y Seguridad de California, Sección 25249.6

## Inicio

Es probable que las instrucciones de ensamblaje contengan información especial para las terminaciones o requisitos de pegado para ese artículo. Lea las instrucciones de ensamblaje y estos Consejos para las terminaciones antes de iniciar su proyecto.

**Elección del tipo de terminación:** Pídale consejos a su vendedor sobre cómo dar una terminación a la madera en crudo. Elija una terminación que cumpla con las expectativas para el uso que le dará al producto. ¿Lo utilizará como una superficie de trabajo como sobre un escritorio o isla de cocina? ¿Está haciendo que una terminación combine con muebles existentes? Las respuestas a estas preguntas pueden influir en el tipo de terminación que elija.

**Dónde trabajar:** Elija un área que tenga buena iluminación y buena ventilación, sea templada y seca. Si el área de trabajo es fría y húmeda, los productos para terminaciones sobre madera podrían necesitar más tiempo de secado de lo que indican las etiquetas. No trabaje en un área sucia o con mucho polvo, la tierra o el polvo pueden adherirse a la terminación.

## Consejos de pegado

Estos son algunos consejos generales. Consulte las instrucciones de ensamblaje para obtener información detallada sobre cómo pegar el producto específico que utilice. Utilice cola vinílica como Elmer's Wood Glue, Titebond Wood Glue o sus equivalentes. Algunas instrucciones indican un pegamento epoxy de secado lento. Lea atentamente la etiqueta y las instrucciones del fabricante del pegamento. Es probable que su unidad no necesite pegamento.

1. Le recomendamos que despliegue todas las piezas y se familiarice con la forma en que se unen antes de ensamblarlas con pegamento. El pegamento secará rápidamente. Puede dañar piezas si intenta cambiar la posición de cualquiera que haya sido ensamblada incorrectamente.
2. Para que el pegamento funcione correctamente, es muy importante aplicar la cola vinílica sobre la madera en crudo. Proteja sus ojos al soplar en los orificios para quitar el exceso de polvo. Esto ayudará a que el pegamento se adhiera a una superficie limpia.
3. Si piensa darle una terminación al producto antes de ensamblarlo, coloque cinta de papel a tres cuartos de la distancia hacia arriba desde el final de una clavija, un husillo o una espiga. Esto protege dichos extremos del producto al que se le está dando la terminación, pero permite la aplicación de terminación donde sea visible. Los productos de terminación inhiben las propiedades de pegado de la cola vinílica. Quite la cinta antes del ensamblaje definitivo.
4. Evite el contacto del pegamento sobre superficies a las que se les aplicará la terminación. La mayoría de las tinturas o terminaciones no penetrarán donde haya pegamento. El pegamento húmedo se puede quitar con un paño húmedo. Luego, lije ligeramente el área para garantizar una terminación adecuada.
5. Es importante aplicar una capa pareja dentro de los orificios y las ranuras. Utilice una pequeña clavija, un lápiz o un hisopo de algodón para distribuir de manera uniforme el pegamento dentro de los orificios. No utilice demasiado pegamento. Debido a que los husillos o clavijas encajan justo en los orificios, el pegamento puede desplazarse hacia el fondo del orificio. Si se utiliza demasiado pegamento, este llenará los orificios y no permitirá que el husillo o la clavija se inserte totalmente.
6. Generalmente, el pegamento tarda muchas horas en curar o endurecerse, pero en pocos segundos se asentará o adherirá. Una vez que comience el ensamblaje definitivo, proceda con rapidez.



P.O. Box 2827  
Eugene, OR 97402 USA  
Llamada gratuita: 800-653-3336  
Tel.: 541-687-0213  
Fax: 541-687-2060  
www.whittierwood.com

## Consejos para las terminaciones

1. Utilice productos de la misma marca para garantizar la compatibilidad. No se recomienda mezclar terminaciones a base de solventes y a base de agua. *Siempre debe leer y seguir las instrucciones de la etiqueta de la lata.*
2. El aliso es una madera noble y porosa y, generalmente, luce mejor cuando se siguen las instrucciones para terminaciones sobre maderas de coníferas.
3. Utilice un sellador para madera debajo de las tinturas al aceite.

## Preparación de la superficie

1. Lije cada pieza con papel de lija No. 220. Lije en el sentido de la veta de la madera en las superficies planas y en el sentido contrario a la veta en los ángulos. Algunas partes pueden ser de contrachapado. Tenga cuidado de no lijar el enchapado. Se acumulará más tinte en las vetas de los extremos, como los de tablas de mesas, bordes de asientos y ranuras de ángulos. Lijar un poco más estas áreas con un papel de lija No. 320 reduce la absorción de pintura y crea una pieza con una tinte más pareja.
2. Una vez finalizado el lijado, limpie la superficie de su mueble con un paño sin pelusas o un paño de adherencia. Asegúrese de que el elemento no tenga polvo antes de utilizarlo.

## Tintura

1. Lea y siga las instrucciones de la etiqueta. Mezcle bien la tinte antes de comenzar. Mezcle periódicamente mientras dure el proyecto para mantener una consistencia uniforme de color.
2. Pruebe la tinte en un lugar poco visible de su proyecto. Aplique al menos una capa de acabado sobre el área de prueba, ya que también afecta el aspecto de la tinte. *Pruebe todos los tipos de madera que hay en su juego. Estas se identifican en las instrucciones de ensamblaje.* Diferentes tipos de madera pueden reaccionar de manera diferente al color de la tinte. Quizás tenga que agregar una segunda capa de tinte a maderas más claras para que combine con las maderas más oscuras de su juego.
3. Aplique la tinte con un pincel de cerdas de poliéster o un paño sin pelusas. Aplique la tinte sobre una pequeña área y elimine el exceso. Trabajar en pequeñas áreas facilitará el control del color.
4. Los hisopos de algodón son ideales para trabajar en áreas de difícil acceso.
5. Permita que la tinte seque bien antes de continuar.

## Aplicación de la capa de acabado

1. *Siempre debe leer y seguir las instrucciones de la etiqueta.* Mezcle suavemente el preparado para la capa de acabado, no lo agite. Agitar la lata crea burbujas que son difíciles de eliminar.
2. Todas las superficies, incluso la parte inferior de las tablas de las mesas y el interior de los cajones deben sellarse con al menos una capa de acabado. Esto ayudará a minimizar la expansión, la contracción, el combado y el hundimiento debido a cambios en el contenido de humedad o la temperatura.
3. Aplique un mínimo de dos capas cuando utilice poliuretano o barniz (especialmente en todas las partes superiores de la madera de la mesa y las superficies de trabajo). Luego de dejar secar la primera capa, lije ligeramente con papel de lija No. 320. Elimine el polvo con un paño sin pelusas o un paño de adherencia. Para mayor protección, aplique capas adicionales. Lije ligeramente y limpie la superficie con un paño sin pelusas o un paño de adherencia entre una capa y otra.
4. Algunas terminaciones tienden a levantar un poco la veta. Esto se puede controlar fácilmente con un lijado ligero entre manos. No utilice lana de acero cuando aplique terminaciones a base de agua. Las hebras de la fibra de acero atrapadas en la madera pueden producir puntos de óxido cuando se las cubre con cualquier producto a base de agua.

## Pintura

1. Debido a que hay mucha diferencia entre fabricantes y productos de pintura, pídale a su proveedor de pintura asesoramiento específico sobre cómo utilizar de la mejor manera la pintura que compra. Pídale asesoramiento específico sobre terminaciones en madera en crudo.
2. Primero, debe cubrir la madera con un imprimador. Un imprimador al aceite es lo mejor para una terminación lisa. Si no desea utilizar un imprimador al aceite, un imprimador a base de agua funciona prácticamente igual. Sin embargo, quizás levante la veta de la madera y necesite de más lijado.
3. Compre pintura de marca de calidad satinada, semi-brillante o brillante. Aplique una segunda capa para una terminación lisa. Lije suavemente entre una capa y otra con papel de lija No. 320 para que la segunda capa se adhiera bien. Asegúrese de utilizar un paño de adherencia luego de lijar para eliminar todos los residuos. Repita tantas veces como desee.
4. No se necesita una capa de acabado cuando se utiliza pintura.

## Liste de vérification des matériaux

<input type="checkbox"/> Gants en caoutchouc	<input type="checkbox"/> Chiffon résiné	<input type="checkbox"/> Papier de verre n <sup>os</sup> 220 et 320
<input type="checkbox"/> Chiffon non pelucheux	<input type="checkbox"/> Toile de protection	<input type="checkbox"/> Ruban adhésif pour peinture
<input type="checkbox"/> Serviettes en papier	<input type="checkbox"/> Pinceaux (crin polyester et mousse)	<input type="checkbox"/> Colle à bois
<input type="checkbox"/> Cotons-tiges	<input type="checkbox"/> Masques anti-poussière ou des respirateurs	

**Attention:** Si vous avez une sensibilité chimique ou environnementale, veuillez prendre les précautions nécessaires et utiliser l'équipement de protection individuelle afin de limiter l'exposition. Cet équipement comprend, entre autres, des gants, des masques anti-poussière ou des respirateurs.

**Avis aux clients de californie :** La proposition 65 de Californie exige l'étiquetage des biens de consommation lorsque l'un des 850 (et plus) agents ou substances chimiques, dont les poussières de bois, est présent, même en quantités négligeables. Le perçage, le sciage, le ponçage ou l'usinage des produits du bois génère de la poussière de bois, une substance déterminée comme étant cancérigène par l'État de Californie. Mise en garde : L'État de Californie reconnaît que ce produit contient un agent ou une substance chimique pouvant causer le cancer, des anomalies congénitales ou autres dommages sur l'appareil reproducteur. Code de la santé et de la sécurité de Californie, article 25249.6

### Avant de commencer

Les instructions d'assemblage peuvent contenir des renseignements spécifiques sur la finition ou des exigences en matière de collage pour cet article. Avant de commencer, veuillez lire entièrement les instructions d'assemblage et les conseils de finition.

**Choisir le fini:** Demandez conseil à votre détaillant sur la manière d'appliquer les enduits de finition pour bois nu. Choisissez un enduit de finition qui répond à vos besoins pour l'emploi final de ce produit. Utiliserez-vous ce produit comme surface de travail, comme sur un bureau ou sur un îlot de cuisine? Essayez-vous de faire correspondre la couleur de l'enduit de finition avec la couleur d'un meuble existant? La réponse à ces questions peut affecter le type d'enduit de finition que vous choisirez.

**Où travailler :** Choisissez un endroit chaud et sec, exposé à la lumière avec une bonne aération. Si l'espace de travail est froid et humide, les produits de finition pour bois peuvent nécessiter un temps de séchage plus long que celui indiqué sur l'étiquette. Ne travaillez pas dans un endroit sale ou poussiéreux – la saleté et/ou la poussière peuvent s'encaster dans la finition.

### Conseils en matière de collage

Cette section contient des conseils d'ordre général. Veuillez vous reporter aux instructions d'assemblage pour des renseignements spécifiques sur la façon de coller votre produit. Utilisez de la colle à bois Elmer's Wood Glue, Titebond Wood Glue ou équivalent. Certaines instructions préconisent une colle époxyde à séchage lent. Lisez attentivement l'étiquette ainsi que les instructions du fabricant de colle. La colle ne sera peut-être pas nécessaire.

1. Nous vous recommandons fortement de bien étaler toutes les pièces et de bien comprendre leur assemblage avant toute application de colle. La colle se fixera rapidement. Vous risquez d'endommager les pièces si vous tentez de repositionner ce que vous avez mal assemblé.
2. Pour une bonne adhésion, il est très important d'appliquer la colle à bois sur le bois nu. Protégez vos yeux et soufflez dans les trous pour éliminer tout excès de poussière. Vous permettez à la colle d'adhérer sur une surface propre.
3. Si vous prévoyez d'appliquer un enduit de finition avant l'assemblage, placez le ruban adhésif aux trois-quarts à partir de l'extrémité d'un goujon, d'un montant ou d'un tenon. Le ruban protégera les extrémités de tout produit de finition et permettra d'appliquer l'enduit de finition sur la partie visible. Les produits de finition empêchent les propriétés de fixation de la colle à bois. Retirez le ruban adhésif avant l'assemblage final.
4. Évitez d'appliquer la colle sur les surfaces qui seront revêtues d'un enduit de finition. La plupart des teintures ou des enduits de finition ne pénétreront pas là où la colle a été versée. La colle fraîche peut être essuyée à l'aide d'un chiffon humide. Il faudra ensuite poncer légèrement la surface pour obtenir une finition uniforme.
5. Il est important d'appliquer une couche uniforme dans les trous et les fentes. Utilisez un petit goujon, un crayon ou un coton-tige pour étaler uniformément la colle autour de l'intérieur des trous. Évitez tout excès de colle. L'ajustement serré des montants ou des goujons dans les trous peut enfoncer la colle au fond du trou. Un excès de colle remplira le trou et empêchera l'insertion totale du montant ou du goujon.
6. En général, la colle prend plusieurs heures pour se durcir ou se solidifier. Toutefois, elle met quelques secondes pour se fixer ou adhérer. Une fois l'assemblage final commencé, procédez sans tarder aux autres étapes.

### Conseils de finition

1. Utilisez des produits de la même marque afin de garantir une compatibilité. Il n'est pas recommandé de mélanger les



# Conseils de finition de Whittier

enduits de finition à base de solvant et d'eau. *Lisez et suivez toujours les instructions figurant sur le produit.*

2. L'aune est un bois dur et poreux dont l'aspect est souvent rehaussé lorsque vous suivez les instructions de finition pour bois tendres.
3. Utilisez un conditionnement pour bois sous les teintures à base d'huile.

## Préparation de la surface

1. Poncez chaque partie à l'aide d'un papier de verre à grain n° 220. Poncez dans le sens du grain du bois sur les surfaces planes et dans le sens contraire sur les surfaces courbes. Certaines parties peuvent être en contreplaqué. Veillez à ne pas poncer le bois de placage. Le grain des extrémités – ex. extrémités du plateau de table, bords de siège, rainures des courbes – acceptent davantage de teinture. En ponçant davantage ces surfaces à l'aide d'un papier de verre à grain n° 320, vous réduirez l'absorption de teinture et créez une teinte plus uniforme.
2. Une fois le ponçage terminé, essuyez la surface de votre meuble à l'aide d'un chiffon non pelucheux ou d'un chiffon résiné. Avant de procéder aux autres étapes, assurez-vous que le meuble est exempt de poussière.

## Teinture

1. Lisez et suivez les instructions figurant sur l'étiquette. Mélangez bien la teinture avant de commencer. Mélangez régulièrement pendant la durée du projet afin de maintenir une consistance uniforme au niveau de la couleur.
2. Testez la teinture sur une surface non visible de votre projet. Appliquez au moins une couche de teinture sur la surface test, car elle affectera également l'aspect de la teinture. *Testez chaque type de bois contenu dans votre trousse. Les bois ont été identifiés dans les instructions d'assemblage.* Les différents types de bois peuvent réagir différemment à la couleur. Il faudra peut-être appliquer une deuxième couche de teinture sur les bois clairs de manière à les harmoniser aux bois foncés de votre trousse.
3. Appliquez la teinture à l'aide d'un pinceau en polyester ou d'un chiffon non pelucheux. Appliquez la teinture sur une petite surface et essuyez tout excès. En travaillant sur de petites surfaces, vous maîtriserez mieux la couleur.
4. Les cotons-tiges sont idéals pour teindre les zones difficiles à atteindre.
5. Laissez sécher complètement avant de procéder aux autres étapes.

## Application de la couche de finition



P.O. Box 2827  
Eugene, OR 97402 USA  
Sans frais : 800-653-3336  
Tél. : 541-687-0213  
Télec. : 541-687-2060  
[www.whittierwood.com](http://www.whittierwood.com)

1. *Lisez et suivez les instructions figurant sur l'étiquette.* Mélangez doucement l'enduit de finition; n'agitez pas. Le fait d'agiter peut entraîner la formation de bulles qui seront par la suite difficiles à éliminer.
2. Toutes les surfaces, y compris la face intérieure des plateaux de table et l'intérieur des tiroirs, doivent être étanchéifiées avec au moins une couche de finition. Cette couche permettra de minimiser le gondolage, le retrait, le voilement et le renflement du bois liés aux modifications d'humidité ou de température.
3. Nous recommandons d'appliquer au moins deux couches lorsque vous utilisez un polyuréthane ou un vernis (tout particulièrement sur les plateaux de table et les surfaces de travail). Une fois la première couche séchée, poncez légèrement avec un papier de verre à grain n° 320. Éliminez la poussière avec un chiffon non pelucheux ou un chiffon résiné. Pour une protection accrue, appliquez d'autres couches. Poncez légèrement et essuyez la surface à l'aide d'un chiffon non pelucheux ou d'un chiffon résiné entre les couches.
4. Certains enduits de finition ont tendance à élever légèrement le grain. Cet effet peut facilement disparaître grâce à un léger ponçage entre les couches. N'utilisez pas de laine d'acier avec les enduits de finition à base d'eau. Les fibres d'acier coincées dans le bois peuvent provoquer des tâches de rouille lorsqu'elles sont recouvertes d'un produit à base d'eau.

## Peinture

1. Étant donné qu'il existe des variations entre les différents fabricants de peinture et les produits, demandez à votre fournisseur de peinture des conseils spécifiques sur l'utilisation de la peinture que vous achetez. Demandez des conseils spécifiques sur la finition d'un bois nu.
2. Étalez d'abord un apprêt sur le bois. Un apprêt à base d'huile est idéal pour obtenir une finition lisse. Si vous ne souhaitez pas utiliser un apprêt à base de solvant, un apprêt à base d'eau produira des résultats presque aussi satisfaisants. Toutefois, celui-ci peut élever le grain et nécessiter un ponçage supplémentaire.
3. Achetez une peinture de marque de qualité. Vous pouvez utiliser une peinture à brillant satiné, demi-mat ou lustré. Appliquez une deuxième couche pour obtenir une finition lisse. Poncez légèrement entre les couches à l'aide d'un papier de verre n° 320 de manière à ce que la deuxième couche adhère bien. Assurez-vous d'utiliser un chiffon résiné après le ponçage afin d'éliminer tout résidu. Répétez selon les besoins. Aucune couche de finition n'est nécessaire lorsque vous utilisez de la peinture.