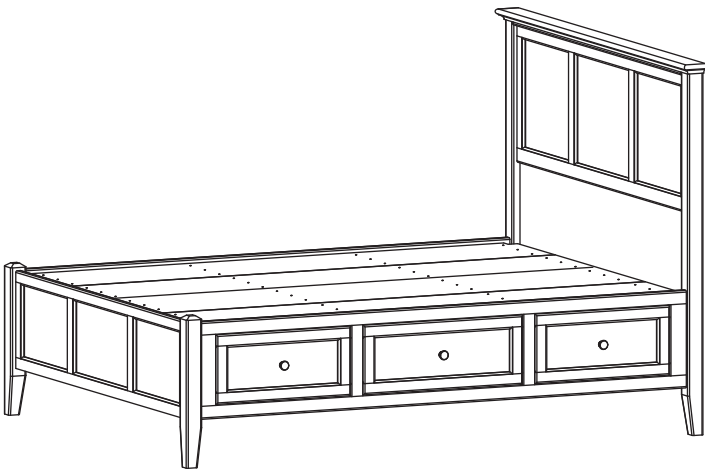


# McKenzie Queen Storage Bed 1316AFGACa

*Glazed Antique  
Cherry Finish*

*Assembly Instructions*



## **Congratulations!**

*This fine piece of furniture will make a handsome addition to your home. For the best results, start by reading the Assembly Instructions before you begin your project.*

**For normal household use only.  
NOT recommended for commercial use.**



**Unload items from this unit prior to moving.  
Before loading or moving this unit, check all screws  
and supports for tightness.**

**DESIGN SUBJECT TO CHANGE WITHOUT NOTICE.**

**Whittier  
Wood**  
FURNITURE

P.O. Box 2827  
Eugene, OR 97402 USA



## **CALL US FIRST!**

**DO NOT RETURN ITEM TO STORE**

**Service Policy:** We will replace parts which are defective, missing or damaged. Please contact Whittier Wood Products customer service department directly (by phone, fax, mail or E-mail) for replacement parts.

**Hours:** Our friendly customer service staff can be reached Monday-Friday 7:00 a.m. to 5:00 p.m. (Pacific Time). A message can be left 24 hours a day, 7 days a week.

**To Order:** Provide the complete furniture model number, part letter, production code, quantity needed, reason for replacement and your full name and address along with a telephone number in case we need to contact you.

*Parts ship from our Eugene, Oregon factory within 1 or 2 business days from the time we receive the request. Please allow 5-10 business days for delivery.*

**800-653-3336**

Outside U.S. or Canada: 541- 687- 0213

Fax: 541-687-2060 • [www.whittierwood.com](http://www.whittierwood.com)

Mail: P.O. Box 2827 • Eugene, Oregon 97402, U.S.A

## **IMPORTANT NOTES:**

- Store the item: 1) in the box; 2) in a dry place; 3) in temperatures ranging from 40° to 90°. (Not on a cold, possibly damp, cement floor.)
- Inspect your furniture periodically for any loose glue joints or screws, or any other problem which may be affecting the stability of your furniture. Tighten or repair as needed.
- This Assembly requires two people.

Production Code:

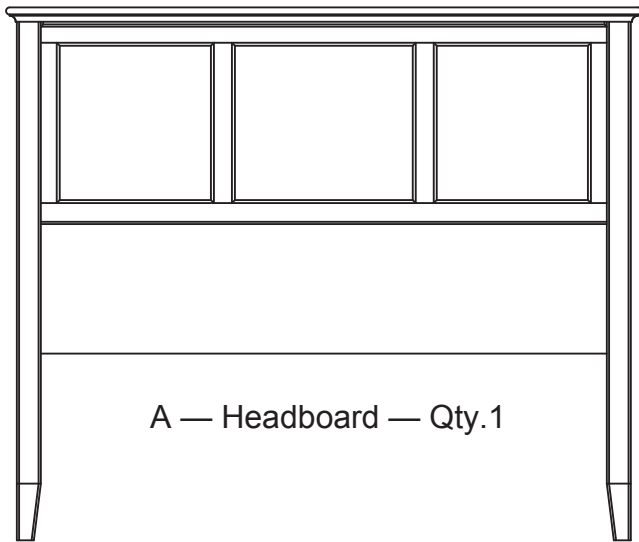
**VN**

**05/21/08**

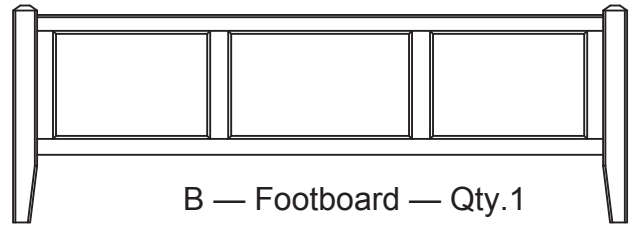
# 1316AFGACa McKenzie Queen Storage Bed — Parts List

To replace a part, please refer to the following list for its letter and name.

## 1319AFGACa (x1)



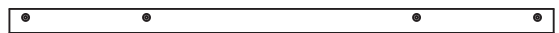
A — Headboard — Qty. 1



B — Footboard — Qty. 1



C — Trestle Without T-Nuts — Qty. 4



D — Trestle With T-Nuts — Qty. 8



E — #8 x 1 1/4" Black Screw — Qty. 24



T — #8 x 2" Black Screw — Qty. 6

V — Leveler Bracket — Qty. 2  
(pre-installed)

W — Adjustable Glide — Qty. 2  
(pre-installed)



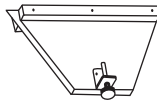
F — 1/4" x 1 3/4" Hex Bolt  
— Qty. 16



G — 1/4" x 2 1/2" Hex Bolt  
— Qty. 16

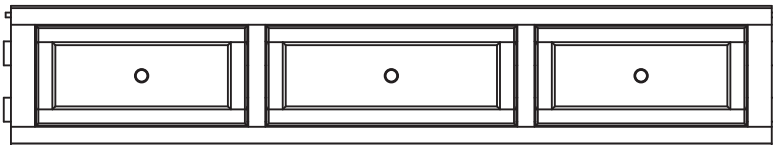


H — Washer — Qty. 32

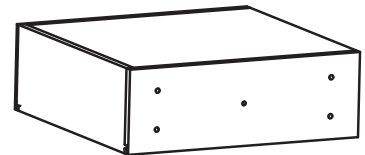


U — Foot Assembly — Qty. 2

## 1318AFGACa (x2)

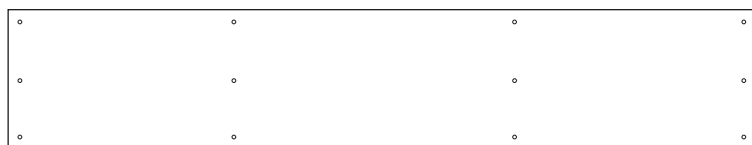


I — Pedestal Kit — Qty. 1

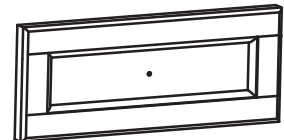


J — Small Drawer Box — Qty. 2  
(pre-assembled)

K — Large Drawer Box — Qty. 1  
(pre-assembled)



P — Deckboard — Qty. 1



L — Small Drawer Face — Qty. 2  
(pre-attached)

M — Large Drawer Face — Qty. 1  
(pre-attached)



N — #8 x 1 1/2" Machine Screw  
— Qty. 3



O — Knob — Qty. 3



Q — Drawer Slides — Qty. 3  
(pre-installed sets)

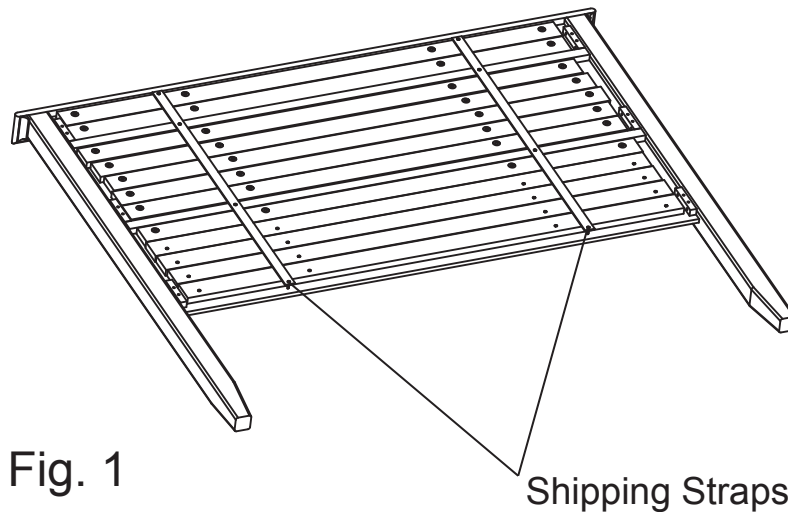
# 1316AFGACa McKenzie Queen Storage Bed Assembly Instructions

This Assembly Requires Two People

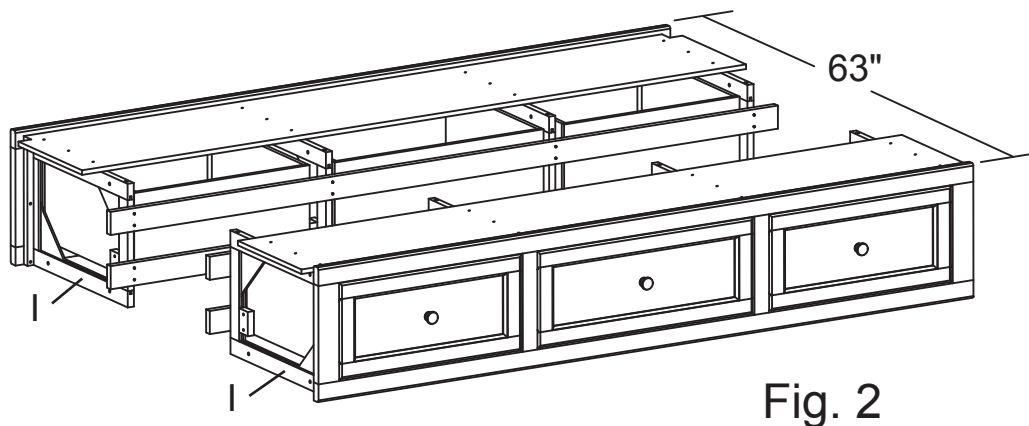
## TOOLS REQUIRED:

Phillips Screwdriver, 7/16" wrench and tape measure.

---

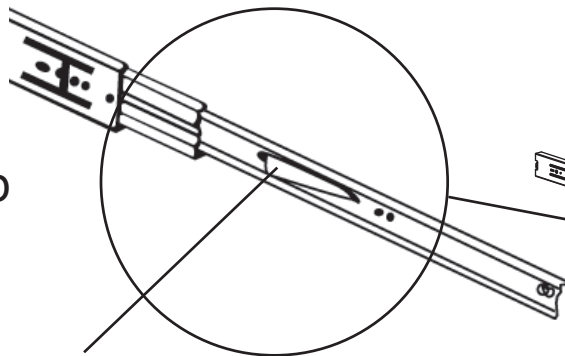


1. Remove the Trestles from the back of the Headboard as seen in Fig. 1 and place them off to the side.
- 



2. Place both Pedestals (I) approximately 63" apart as shown in Fig. 2.

Fig. 3b



Drawer Release Lever

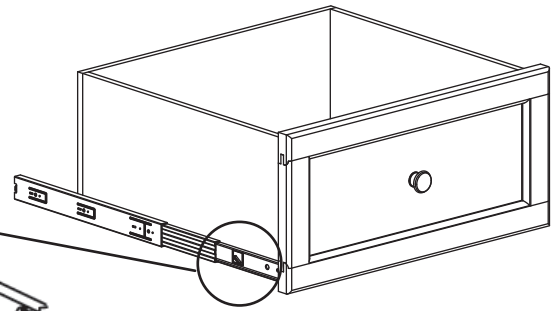


Fig. 3

3. Remove Drawers (J & K) from Pedestal Kits (I). To remove drawers, push up on the left side of the Drawer Release Lever while pushing down on the right Drawer Release Lever (see Fig. 3b). Note where each drawer came from to ensure correct re-installation. (Positions are marked on drawer backs.)

Fig. 4b

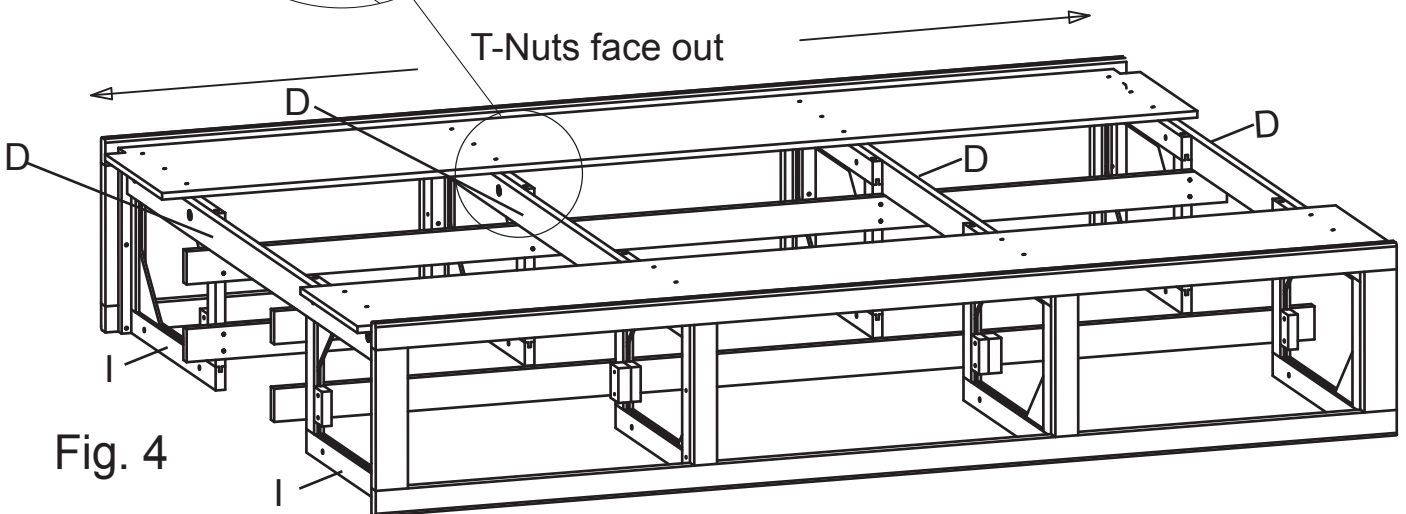
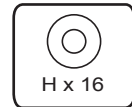
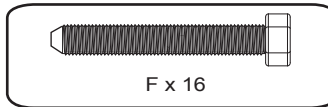
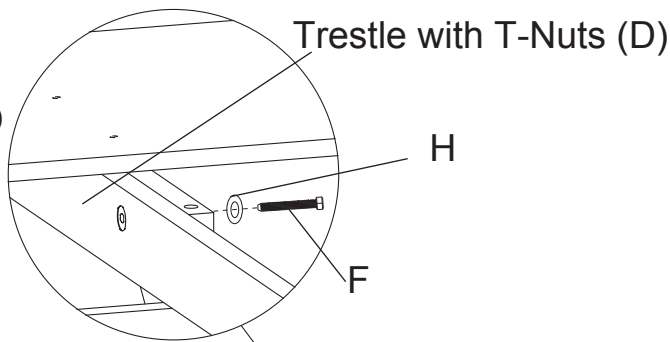


Fig. 4

**NOTE: DO NOT TIGHTEN BOLTS UNTIL FINAL ASSEMBLY IN STEP 10 IS COMPLETED.**

4. Place 4 Trestles with with T-Nuts (D) between Pedestals (I) and insert 1 $\frac{3}{4}$ " bolt (F) and washer (H) as shown in Fig. 4b. When installing Trestles (D), make sure the T-nuts face out as shown in Fig. 4.

5. Rotate Pedestal Assembly upside down so that the plywood Deckboards are on the floor.



Rotate Pedestal Assembly upside down so that the plywood Deckboards are on the floor.

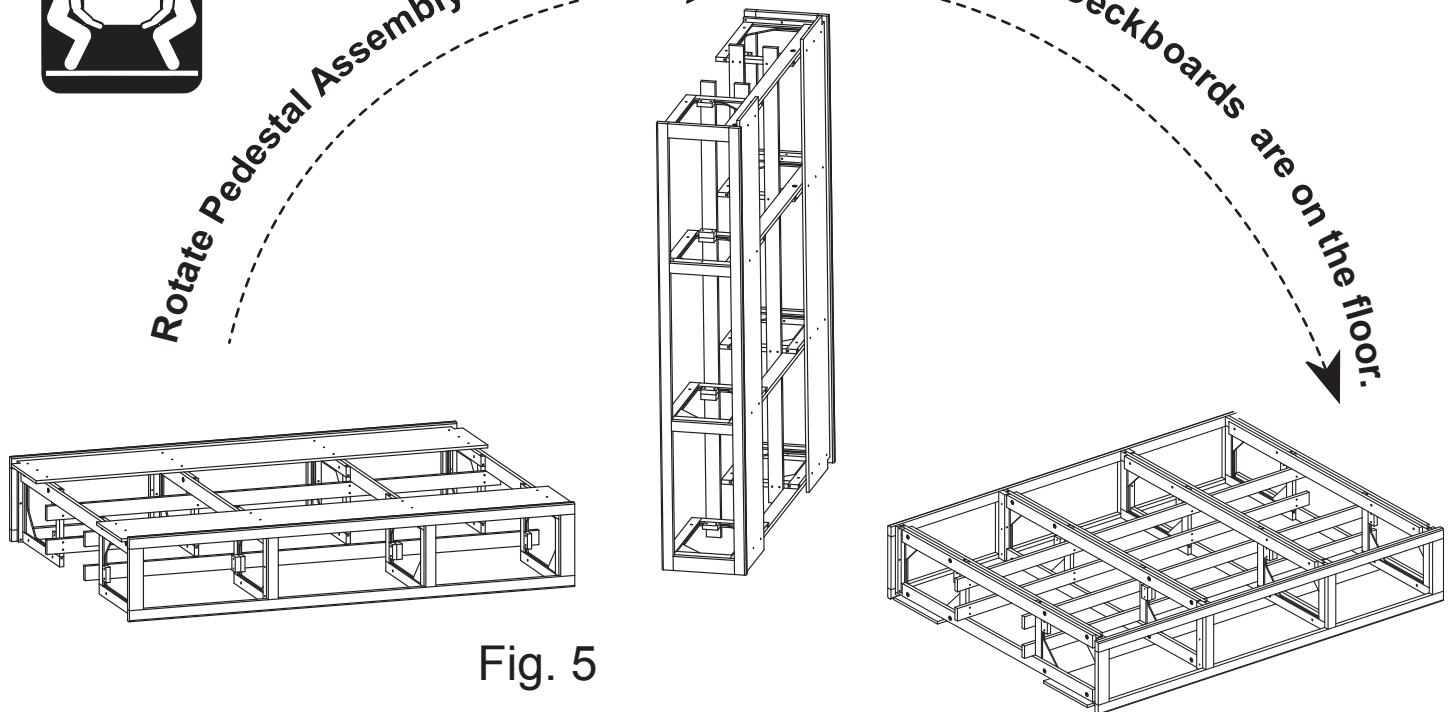


Fig. 5

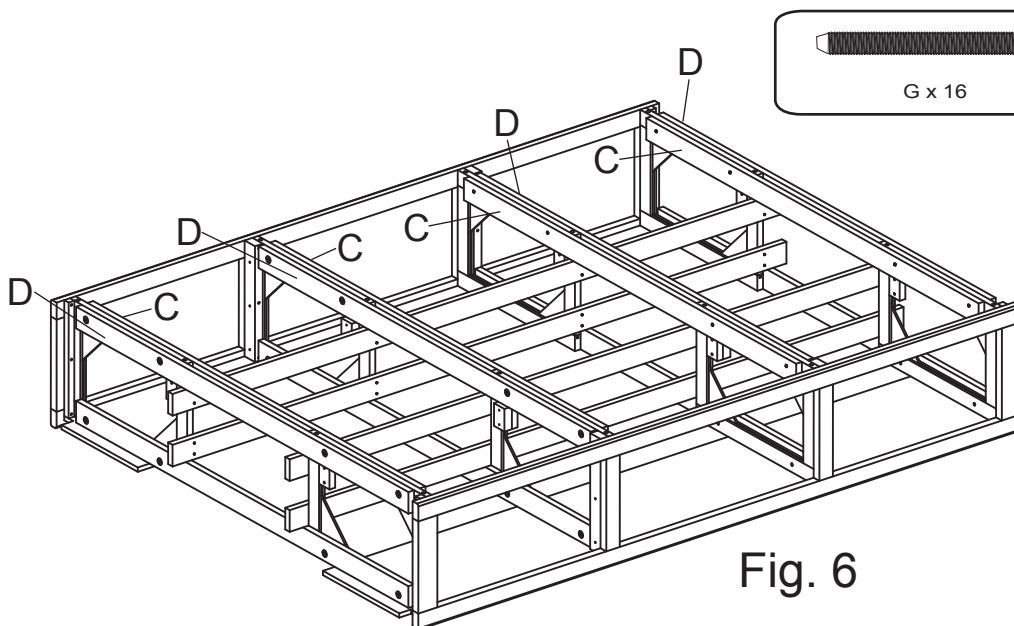


Fig. 6

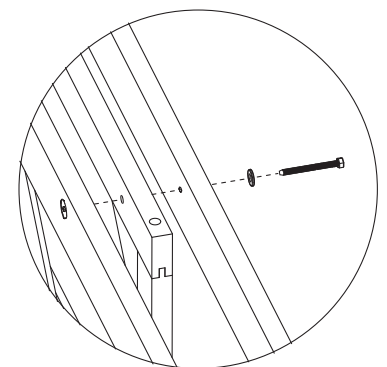
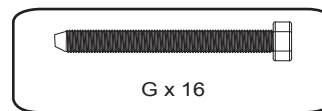


Fig. 6b

6. Place the remaining Trestles (C and D) on the Pedestal Assembly. Face the Trestles with T-Nuts (D) toward the ends of the Assembly from the center as shown in Fig 6. Insert 2½" Hex Bolt (G) and Washer (H). See Fig. 6b. **DO NOT TIGHTEN BOLTS UNTIL FINAL ASSEMBLY IN STEP 10.**

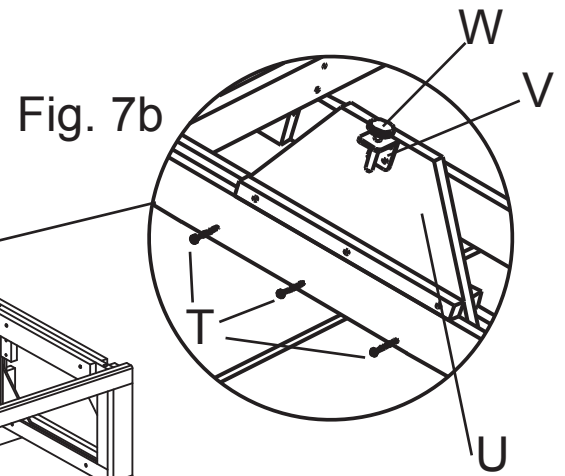
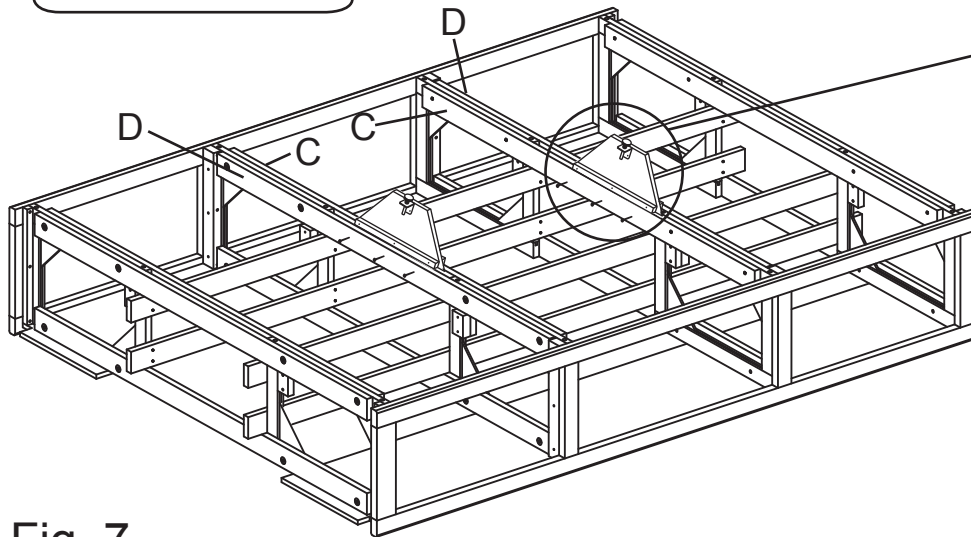
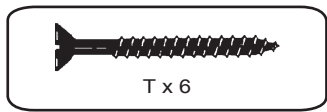


Fig. 7

7. On each inner Pair of Trestles (C & D), place a Foot Assembly (U) between the two middle trestles as shown in Fig. 7. Insert three #8 X 2" Black screws (T) as shown in Fig. 7b.

8. Rotate Pedestal Assembly to its original position.



*Rotate Pedestal Assembly to its original position.*

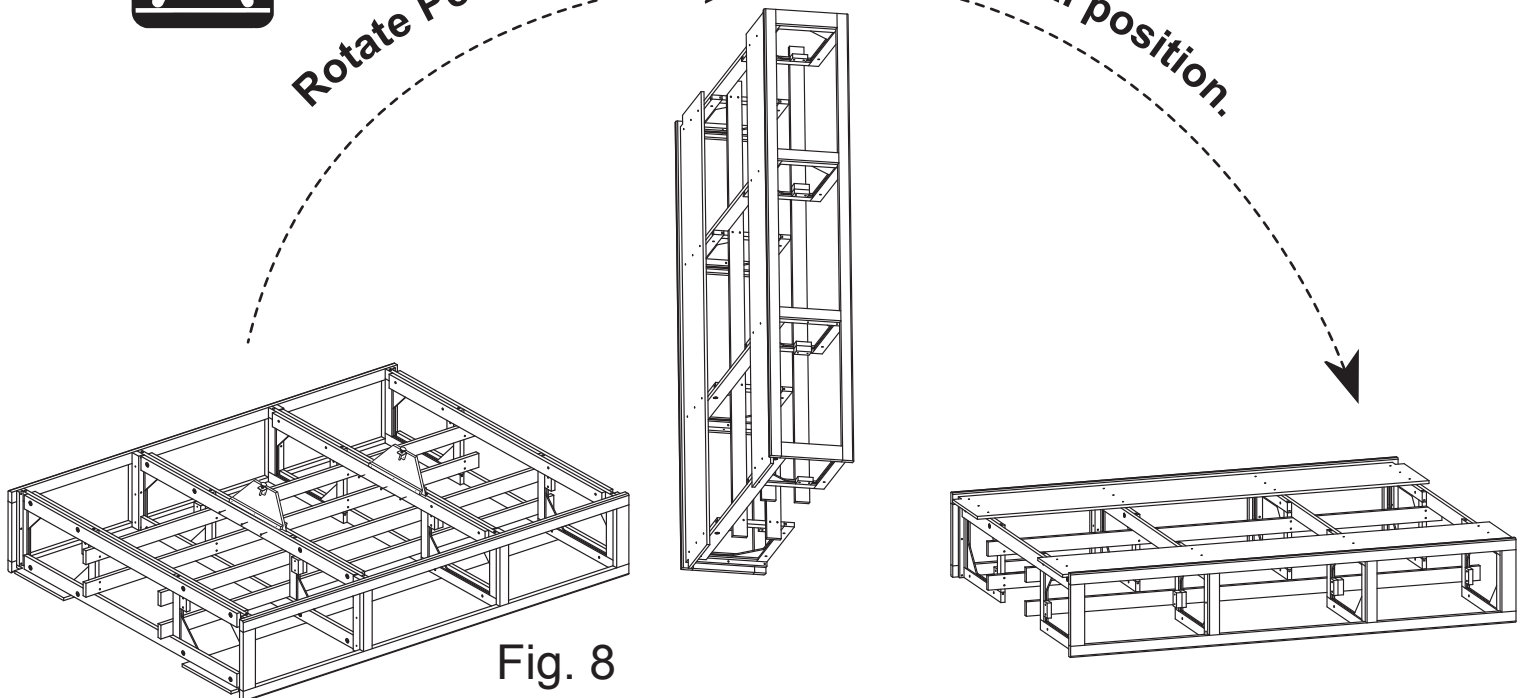


Fig. 8



Fig. 9

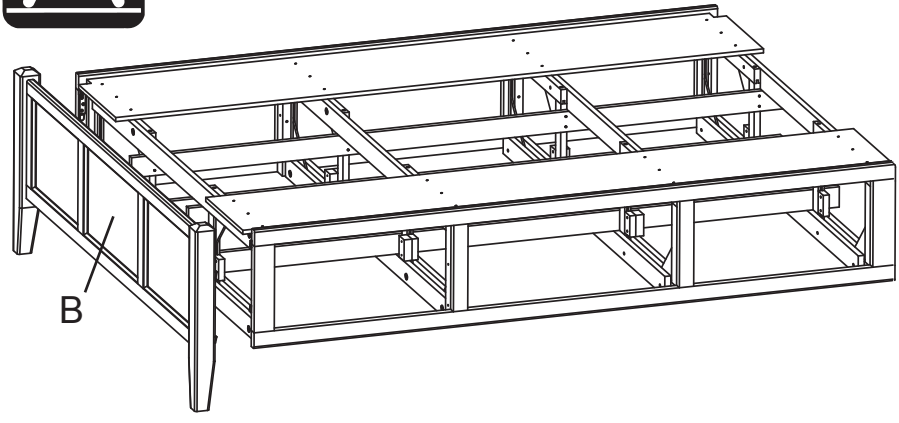
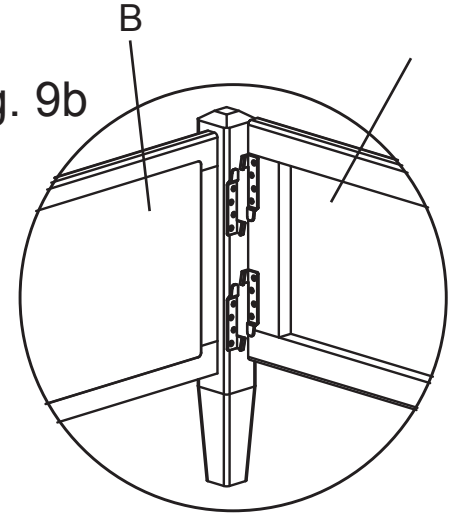


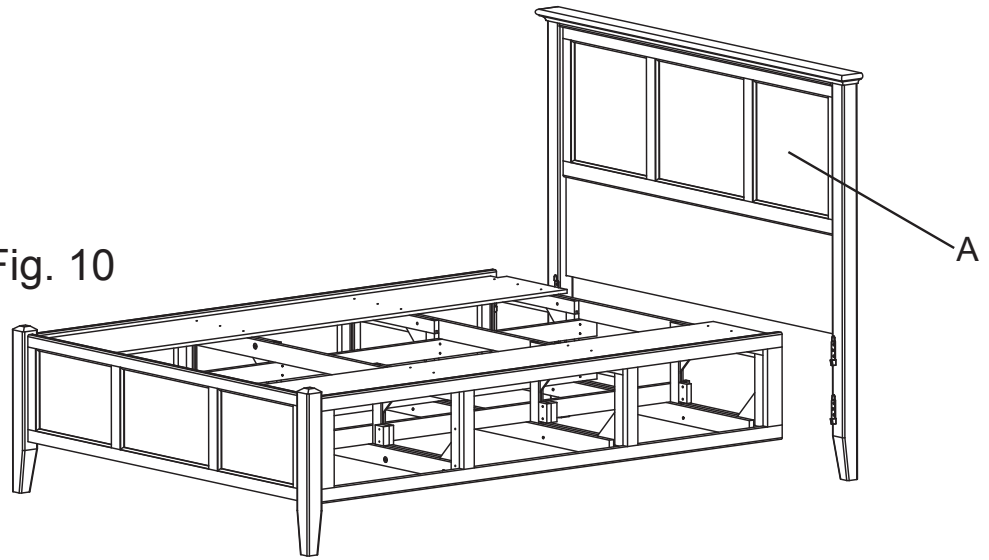
Fig. 9b



9. Stand the Footboard (B) at one end of the Pedestal Assembly as in Fig. 9. Align brackets as shown in Fig. 9b, and slide the Pedestal Assembly down on to the Footboard (B).

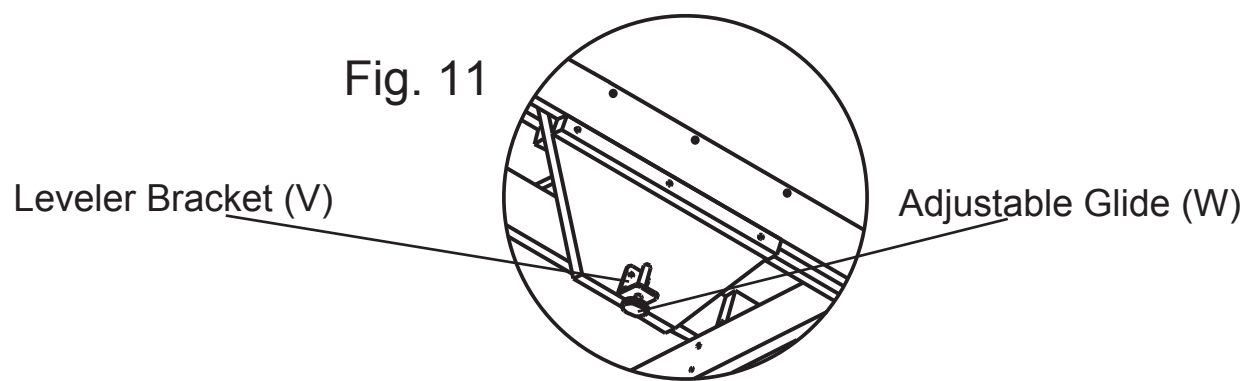


Fig. 10

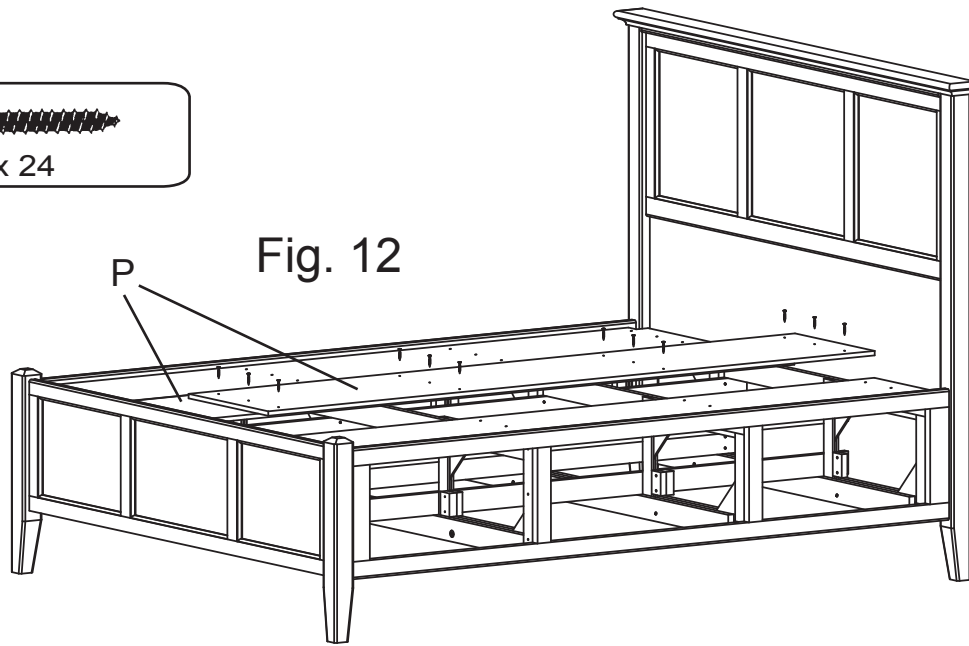


10. Attach Headboard (A) to Pedestal Assembly as in previous step.  
**NOTE: NOW TIGHTEN ALL BOLTS ON TRESTLES.**

Fig. 11



11. Adjust Glides (W) on the Foot Assemblies (U) so the Glides just touch the floor.



12. Place Deckboards (P) as shown in Fig. 12. There should be a small gap between each deckboard. Secure with #8x1¼" Screw (E).

---

13. Carefully align drawer slides into the cabinet and gently push the drawers back to their original positions. Sleep well, and enjoy!