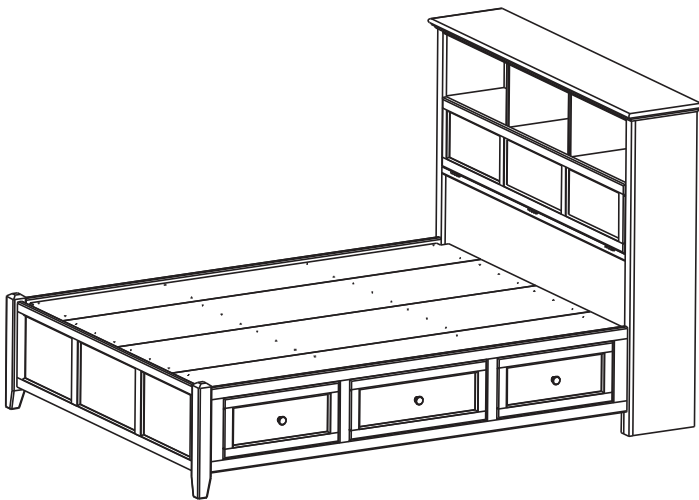


Model #

McKenzie Bookcase Full Storage Bed

1365AFGAC; 1365AFCAF

AFGAC = Glazed Antique Cherry finish; CAF = Caffè finish
Assembly Instructions



Congratulations!

This fine piece of furniture will make a gorgeous addition to your home. For the best results, read the Assembly Instructions before you begin your project.

IMPORTANT NOTES:

- For normal household use only. **Not** recommended for commercial use.
- Unload items before you move this unit.
- Before you load or move this unit, check to make sure all screws and supports are tight.
- Do not overload the concealed storage areas.
- Do not overload the drawers.
- Before you begin your project, completely read the Assembly Instructions.
- Store this item: 1- in its box; 2- in a dry place; 3- in temperatures that range from 40°F to 90°F (not on a cold and possibly damp cement floor).
- Periodically inspect your furniture for any loose glue joints, screws or any other problem that might affect the stability of your furniture. Tighten or repair as needed.
- This assembly requires two people.

DESIGN SUBJECT TO CHANGE WITHOUT NOTICE.



CALL US FIRST! *Do not return this item to the store.*

Service Policy: We will replace any part that is defective, missing or damaged during assembly. Please contact Whittier Wood Products customer service department directly by phone, fax, mail or email for a replacement part.

Hours: Our friendly customer service staff can be reached Monday-Friday 7:00 a.m. to 5:00 p.m. (Pacific Time). You may leave a message 24 hours a day, seven days a week.

To Order: Designate the finish, provide the furniture model number (upper left corner of this page), the part letter, production code, quantity needed, reason for replacement, your full name, address and telephone number.

Parts ship from our Eugene, Oregon factory within one or two business days from the time we receive your request. Please allow five to ten business days for delivery.

800-653-3336 • Outside the U.S. or Canada: 541-687-0213 • Fax: 541-687-2060
www.whittierwood.com • P.O. Box 2827 • Eugene, Oregon 97402, U.S.A.

**Whittier
Wood**
FURNITURE

P.O. Box 2827
Eugene, OR 97402 USA

Production Code:

VN

06/10

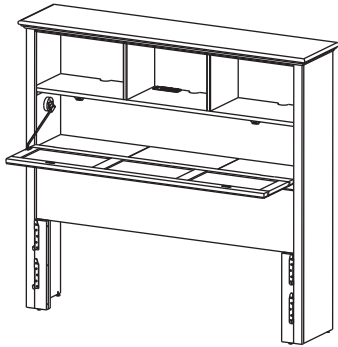
1365AFGAC; 1365AFCAF

McKenzie Bookcase Full Storage Bed — Parts List

Please identify the parts and check that quantities received match those on this list.
If you need to replace a part, refer to the following letter and model name.

1367AFGAC (x1)

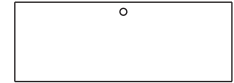
1367AFCAF (x1)



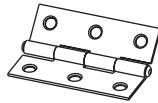
A — Headboard Assembly
— Qty. 1



R — Assembled Door
— Qty. 1 (attached)



S — False Bottom
— Qty. 3



ZA — Hinge
— Qty. 3 (installed)



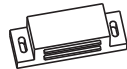
ZI — #6x5/8" Flat Head
Screw — Qty. 18 (inserted)



ZB — Magnetic Plate
— Qty. 2 (installed)



ZD — #5x5/8" Flat Head
Screw — Qty. 4 (inserted)



ZC — Magnetic Catch
— Qty. 2 (installed)



ZJ — #6x5/8" Philtruss
Screw — Qty. 4 (inserted)



X — Power Strip
— Qty. 1 (installed)



Y — #8x7/8" LoProfile Screw
— Qty. 4 (inserted)



ZE — Door Stay
— Qty. 1 (attached)



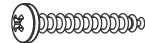
ZF — #6x5/8" Undercut
Screw — Qty. 4 (inserted)



ZG — Door Stay Support
— Qty. 1 (attached)



ZH — #6 x 1-1/4" Black Pan
Head Screw — Qty. 3 (inserted)



ZN — #8 x 1-1/4" Pan Head
Screw — Qty. 17 (inserted)



E — #8 x 1-1/4" Black
Screw — Qty. 44 (inserted)



ZO — #8 x 2-1/4" Black
Screw — Qty. 6 (inserted)



ZP — #8 x 1" Black
Screw — Qty. 16 (inserted)



ZQ — Left Bracket
— Qty. 2 (attached)



ZR — Right Bracket
— Qty. 2 (attached)



ZS — Wire Clip
Screw — Qty. 6 (attached)



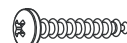
ZT — Tack Glide
— Qty. 4 (attached)



ZZ — Corner Brace
— Qty. 2 (attached)



YA — Large Adjustable Glide
— Qty. 2 (installed)

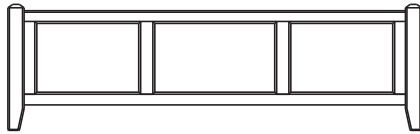


YB — #8 x 5/8" Pan Head
Screw — Qty. 8 (inserted)

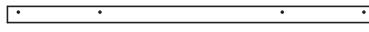
1365AFGAC; 1365AFCAF

McKenzie Bookcase Full Storage Bed — Parts List continued

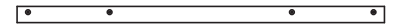
1368AFGAC (x1) 1368AFCAF (x1)



B — Footboard — Qty. 1



C — Trestle Without T-Nuts — Qty. 4



D — Trestle With T-Nuts — Qty. 8



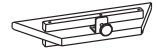
E — #8 x 1-1/4" Black Screw — Qty. 36 (12 inserted)



F — 1/4" x 1-3/4" Hex Bolt — Qty. 16



G — 1/4" x 2-1/2" Hex Bolt — Qty. 16



U — Foot Assembly — Qty. 2

ZY — Foot Bracket — Qty. 2 (attached)

V — Leveler Bracket — Qty. 2 (installed)

W — Adjustable Glide — Qty. 2 (installed)



H — Washer — Qty. 32



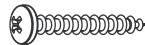
T — #8 x 2" Black Screw — Qty. 6



ZP — #8 x 1" Black Screw — Qty. 16 (inserted)



ZU — T-Nut — Qty. 32 (inserted)



ZV — #8 x 20mm Pan Head Screw — Qty. 30 (inserted)

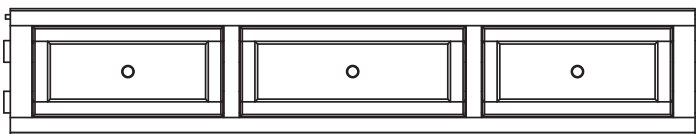


ZQ — Left Bracket — Qty. 2 (attached)



ZR — Right Bracket — Qty. 2 (attached)

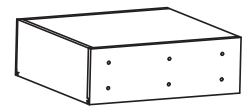
1308AFGAC (x2) 1308AFCAF (x2)



I — Pedestal Kit — Qty. 1



J — Small Drawer Box — Qty. 1 (assembled)



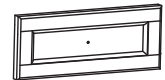
K — Large Drawer Box — Qty. 2 (assembled)

O — Knob — Qty. 3

N — #8 x 1-1/2" Machine Screw — Qty. 3



P — Deckboard — Qty. 1



L — Small Drawer Face — Qty. 1 (attached)

Q — Drawer Slides — Qty. 3 (attached sets)

M — Large Drawer Face — Qty. 2 (attached)

ZW — #6 x 1/2" Undercut Screw — Qty. 30 (inserted)

ZQ — Left Bracket — Qty. 2 (attached)

ZR — Right Bracket — Qty. 2 (attached)

Y — #8 x 7/8" Lo-Profile Screw — Qty. 16 (inserted)

E — #8 x 1-1/4" Black Screw — Qty. 30 (inserted)

T — #8 x 2" Black Screw — Qty. 16 (inserted)

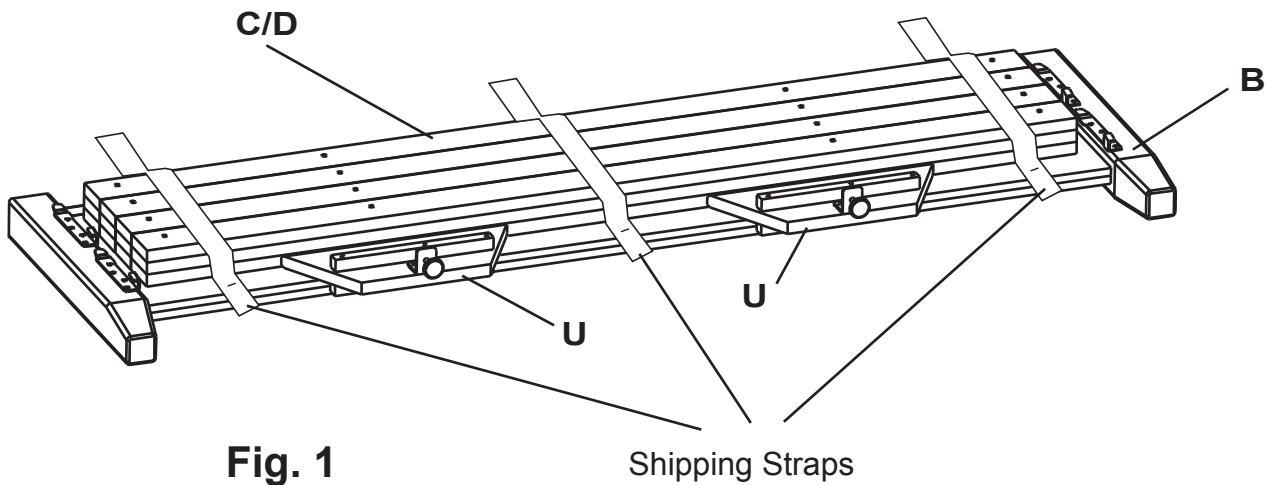
ZX — #8 x 1-5/8" Black Screw — Qty. 12 (inserted)

ZP — #8 x 1" Black Screw — Qty. 16 (inserted)

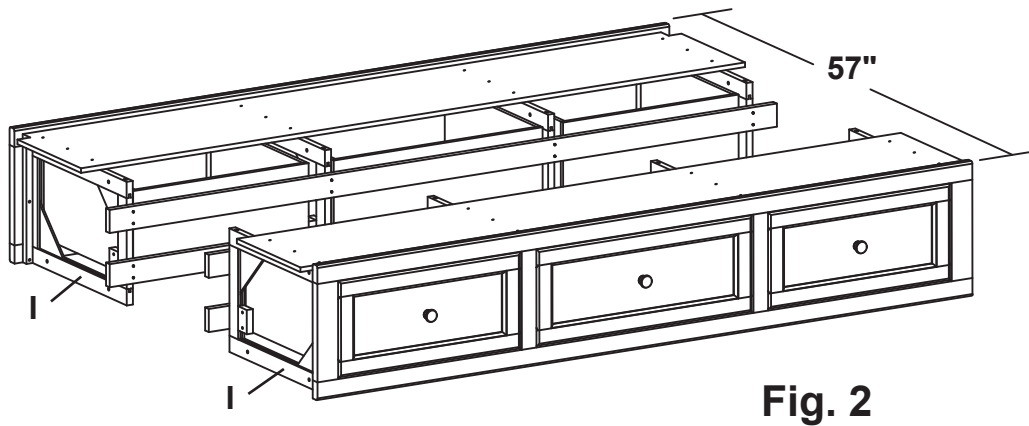
1365AFGAC; 1365CAF McKenzie Bookcase Full Storage Bed Assembly Instructions

This assembly requires two people

Tools required: Phillips screwdriver, Slotted screwdriver, 7/16" wrench, Tape measure

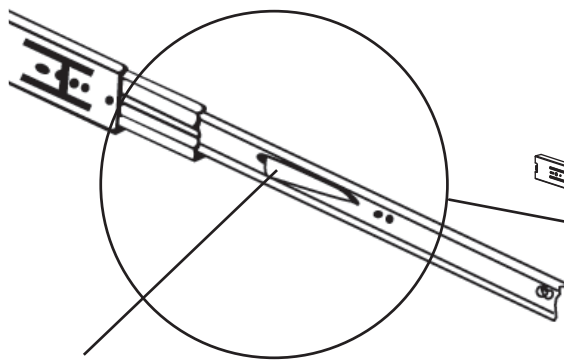


1. Remove the Trestles (C/D) and Foot Assemblies (U) from the back of the Footboard (B) and place them off to the side. See Figure 1.



2. Place both Pedestals (I) approximately 57" apart as shown in Figure 2.

Fig. 3a



Drawer Release Lever

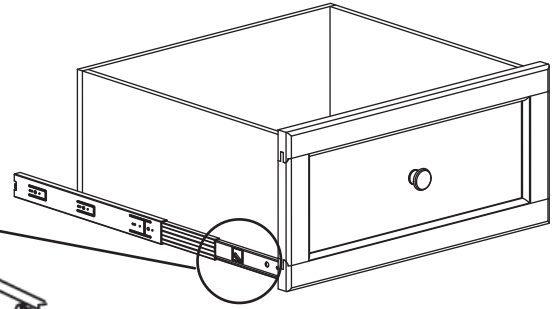


Fig. 3

3. Remove the Drawers (J & K) from the Pedestal Kits (I). To remove the drawers, pull up on the left side of the Drawer Release Lever while pushing down on the right Drawer Release Lever. See Figure 3a. Note where each drawer came from to ensure correct installation. Positions are marked on the drawers.

Fig. 4a

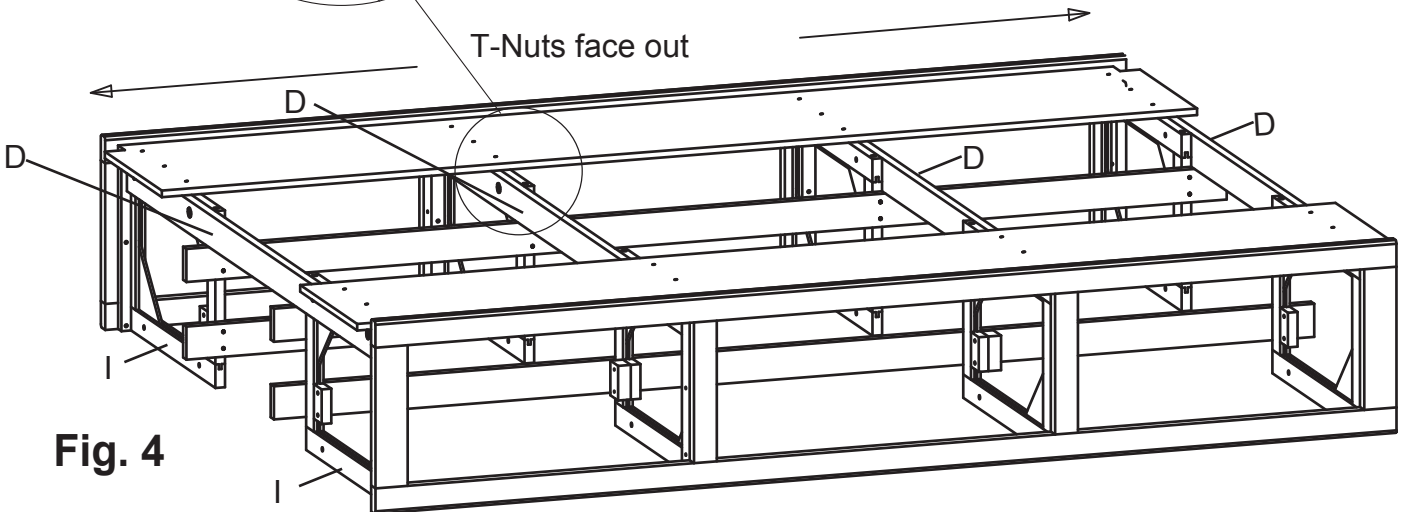
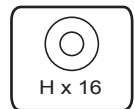
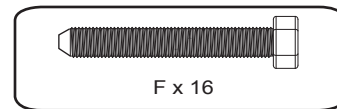
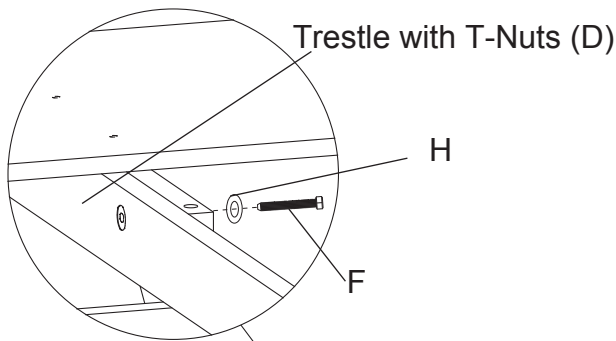


Fig. 4

NOTE: Do not tighten the bolts with a wrench until the final assembly in step 10 is completed. Hand-tighten only.

4. Place four Trestles with T-Nuts (D) between the Pedestals (I) and insert and hand-tighten 1/4 x 1-3/4" Bolts (F) and Washers (H) as shown in Figure 4a. When installing the Trestles (D), make sure the T-nuts face out as shown in Figure 4.

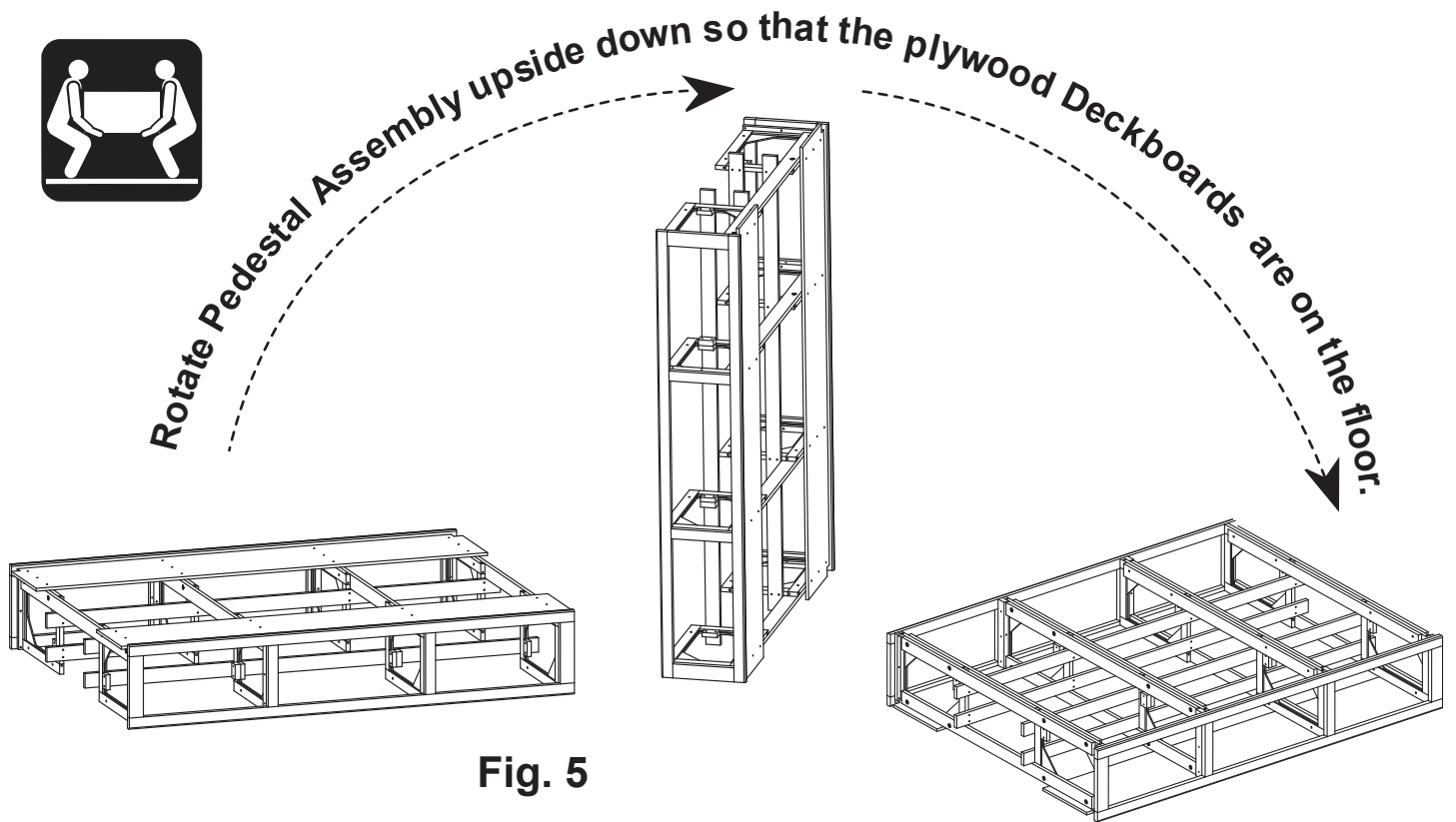


Fig. 5

5. Rotate the Pedestal Assembly upside down so the plywood deckboards are on the floor.

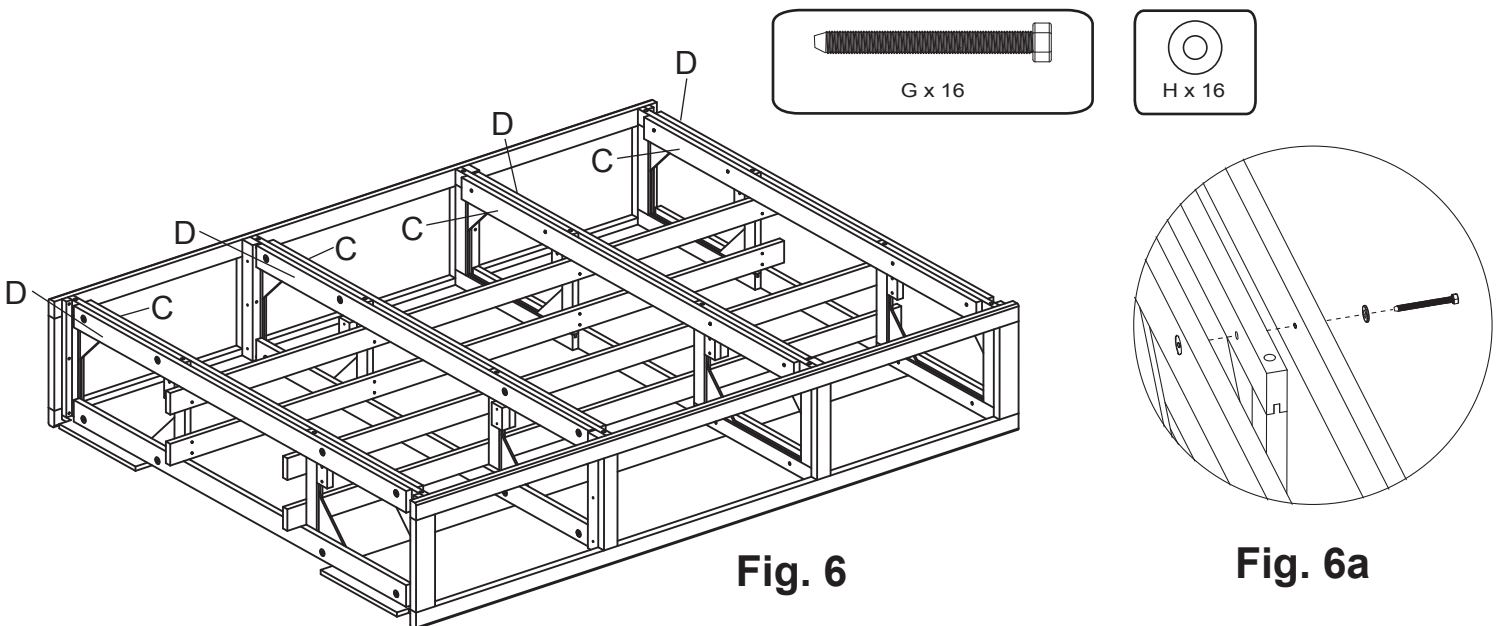


Fig. 6

Fig. 6a

NOTE: Do not tighten the bolts with a wrench until the final assembly in step 10 is completed. Hand-tighten only.

6. Position the remaining Trestles (C and D) on the Pedestal Assembly. Face the Trestles with T-Nuts (D) toward the ends of the Assembly from the center as shown in Figure 6. Insert and hand-tighten the 1/4" x 2-1/2" Hex Bolts (G) and Washers (H). See Figures 6 and 6a.

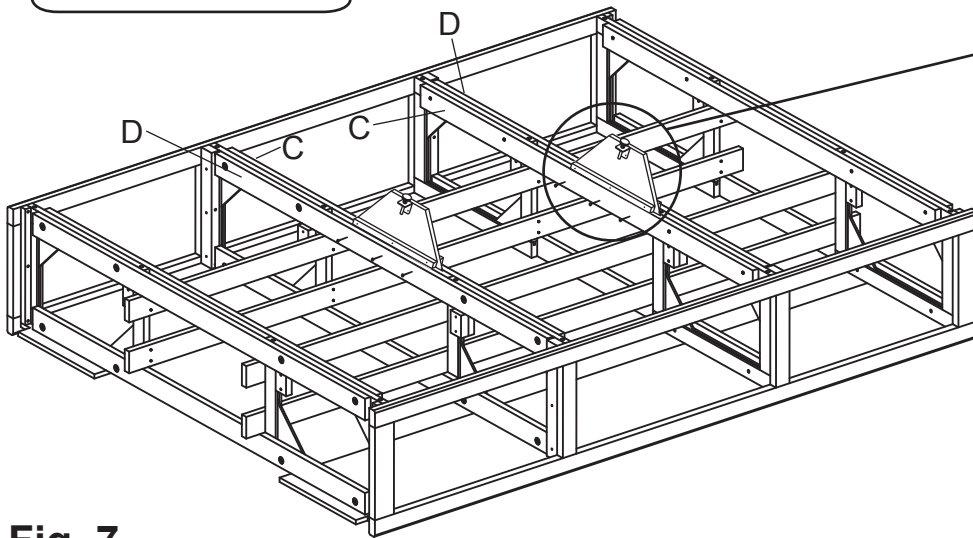
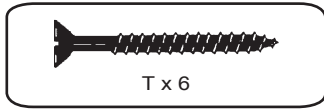


Fig. 7a

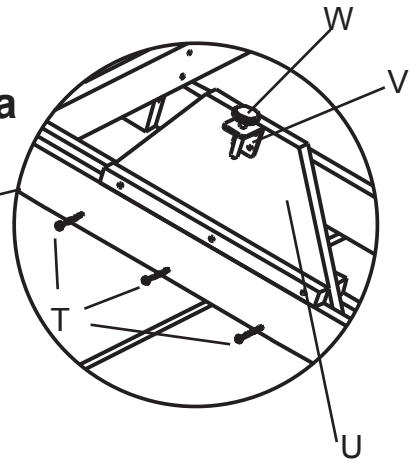


Fig. 7

7. On each inner Pair of Trestles (C & D), place a Foot Assembly (U) between the two middle trestles as shown in Figure 7. Attach with three #8 x 2" Black Screws (T) as shown in Figure 7a.



Rotate Pedestal Assembly to its original position.

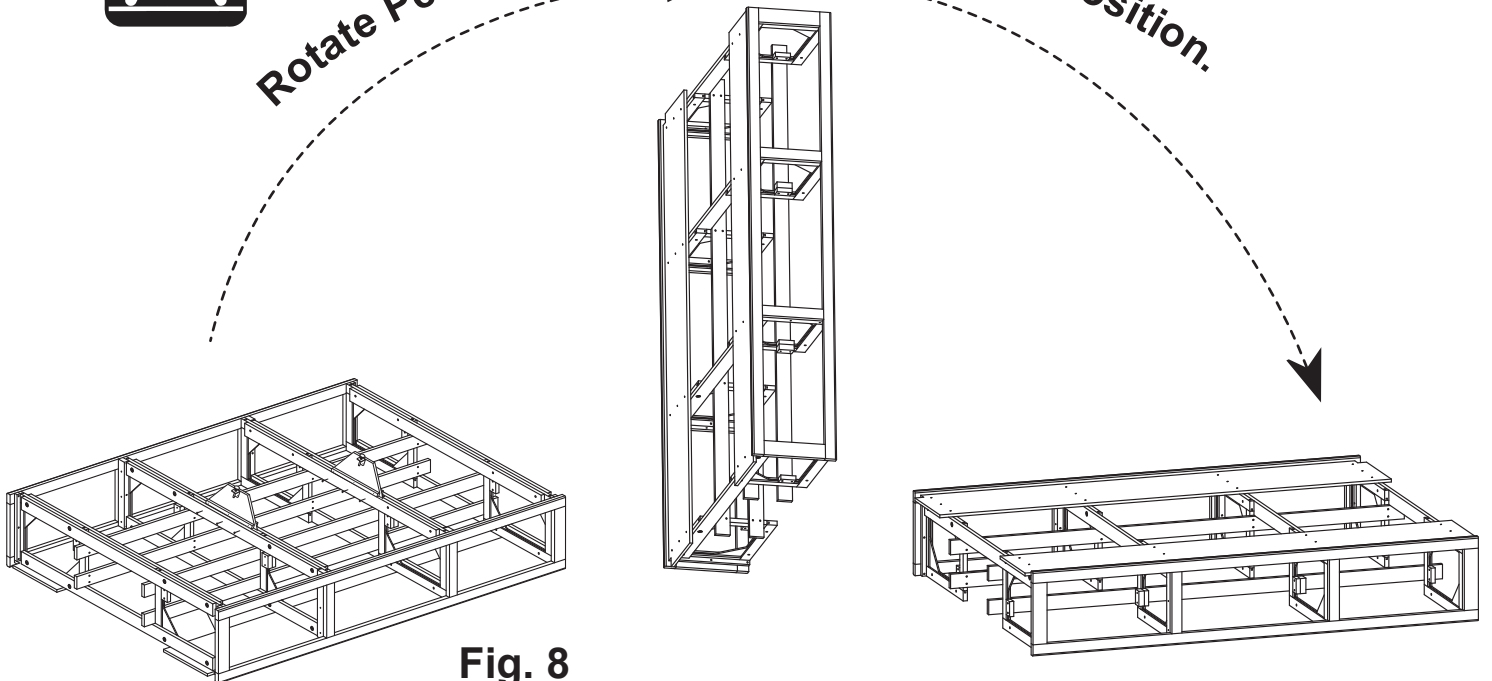


Fig. 8

8. Rotate the Pedestal Assembly to its original position.

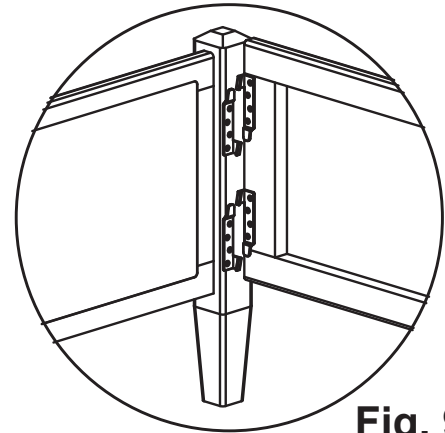
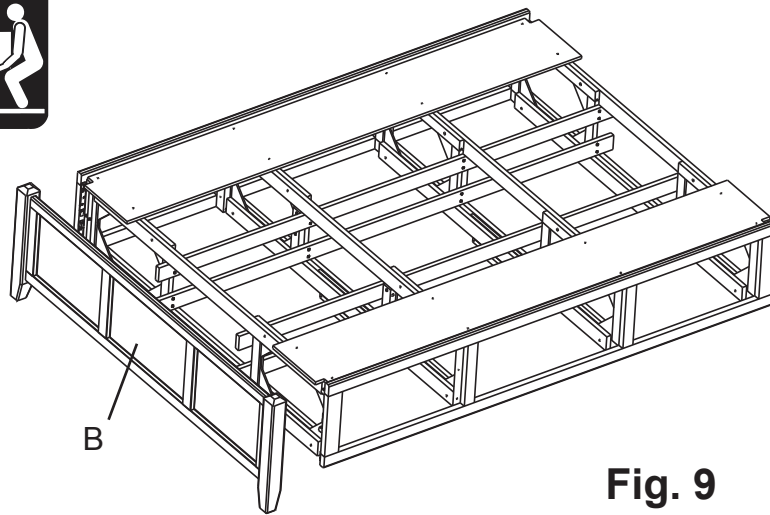


Fig. 9a

Fig. 9

9. Attach the Footboard (B) to the Pedestal Assembly as in Figure 9. Align the brackets as shown in Figure 9a and slide the Pedestal Assembly down on to the Footboard (B).
-

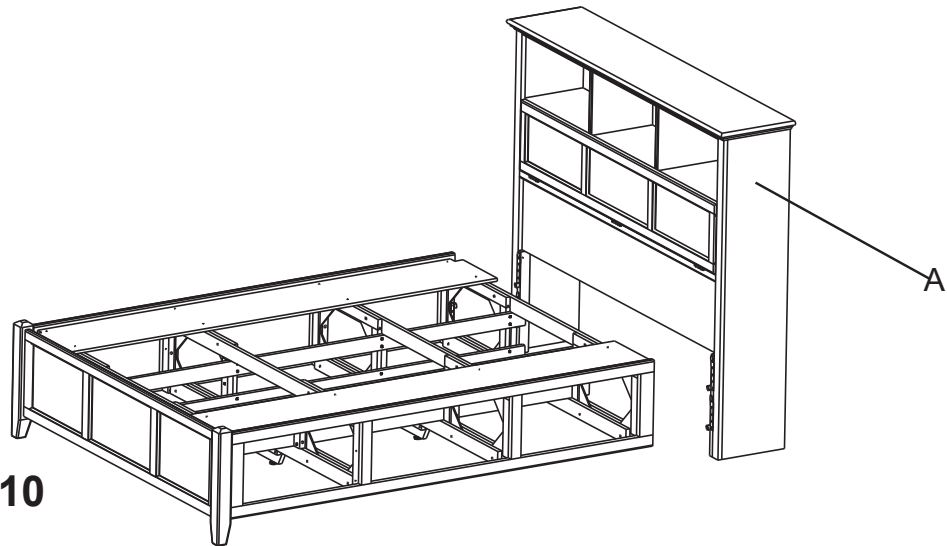
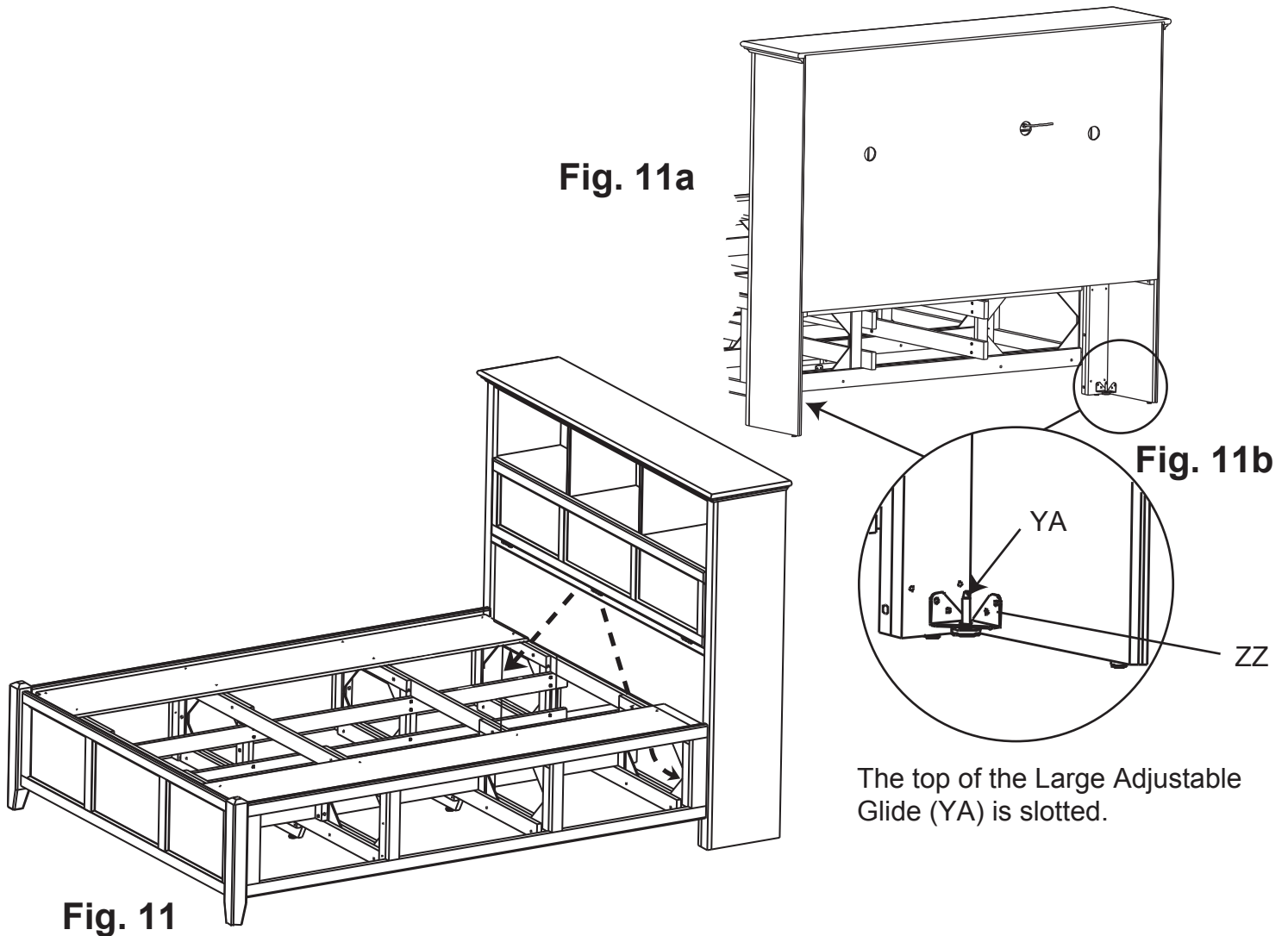


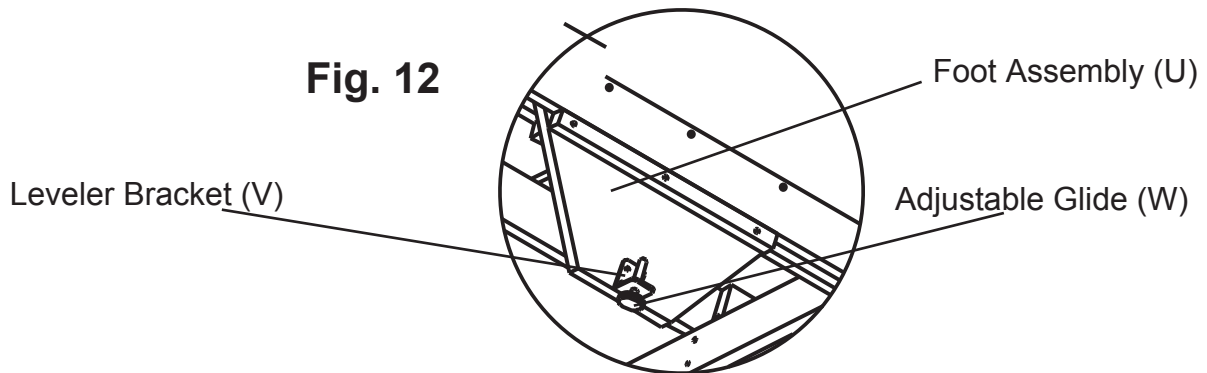
Fig. 10

10. Attach the Headboard (A) to the Pedestal Assembly as in the previous step.
NOTE: Now use a wrench and tighten all of the bolts on the trestles.



11. Place your bed in its final position. To level the headboard, stand in the open area in between the two attached deckboards and reach through the front of the platform. See Figure 11. Using a slotted screwdriver, rotate the Large Adjustable Glide (YA) clockwise until it bears weight. Repeat for the opposite side. See Figures 11a and 11b.

THIS IS ESPECIALLY IMPORTANT IF THE BOOKCASE HEADBOARD SITS UPON A CARPET TACK STRIP.



12. Adjust the Glides (W) on the Foot Assemblies (U) so the Glides just touch the floor.

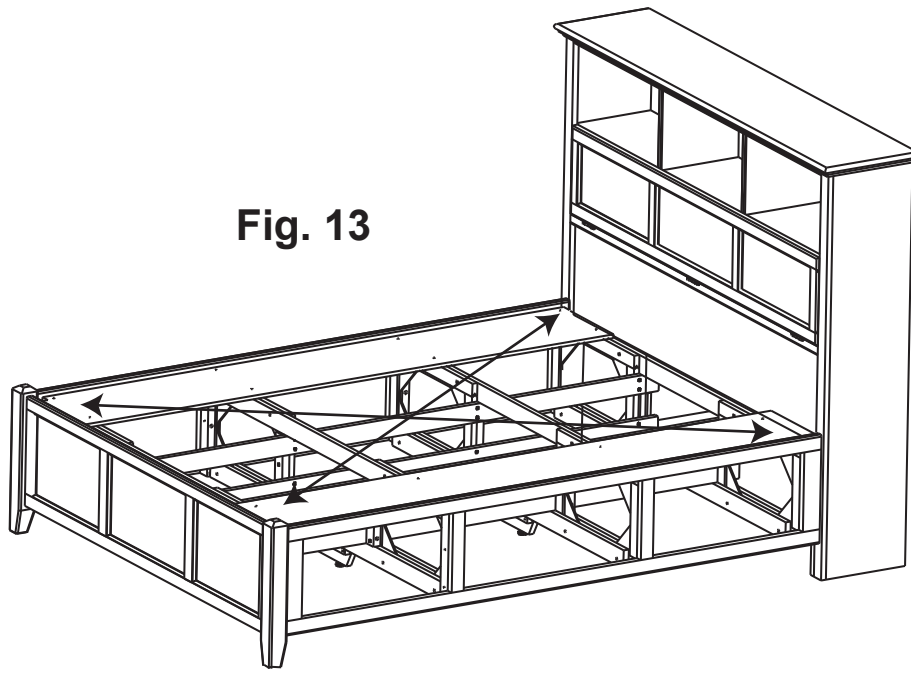


Fig. 13

13. To make sure the bed is square, measure the distance between opposing corners. If one of the measurements is larger, tap on a footboard leg until the measurement is equal. See Figure 13.

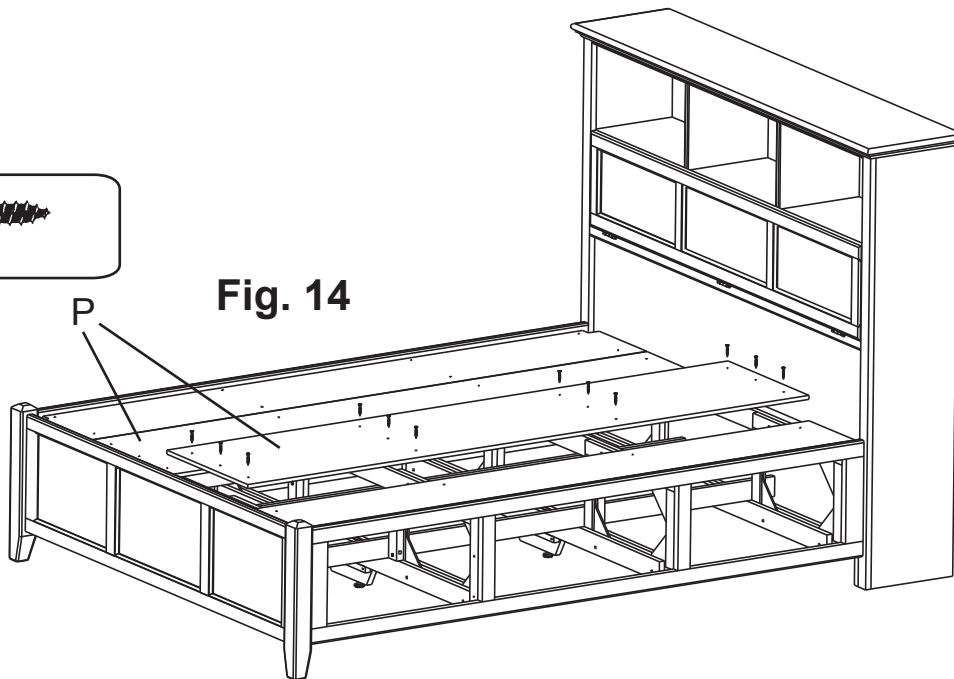


Fig. 14

14. Place the Deckboards (P) as shown in Figure 14. There should be a small gap between each deckboard. Secure with 24 #8x1-1/4" Screws (E).

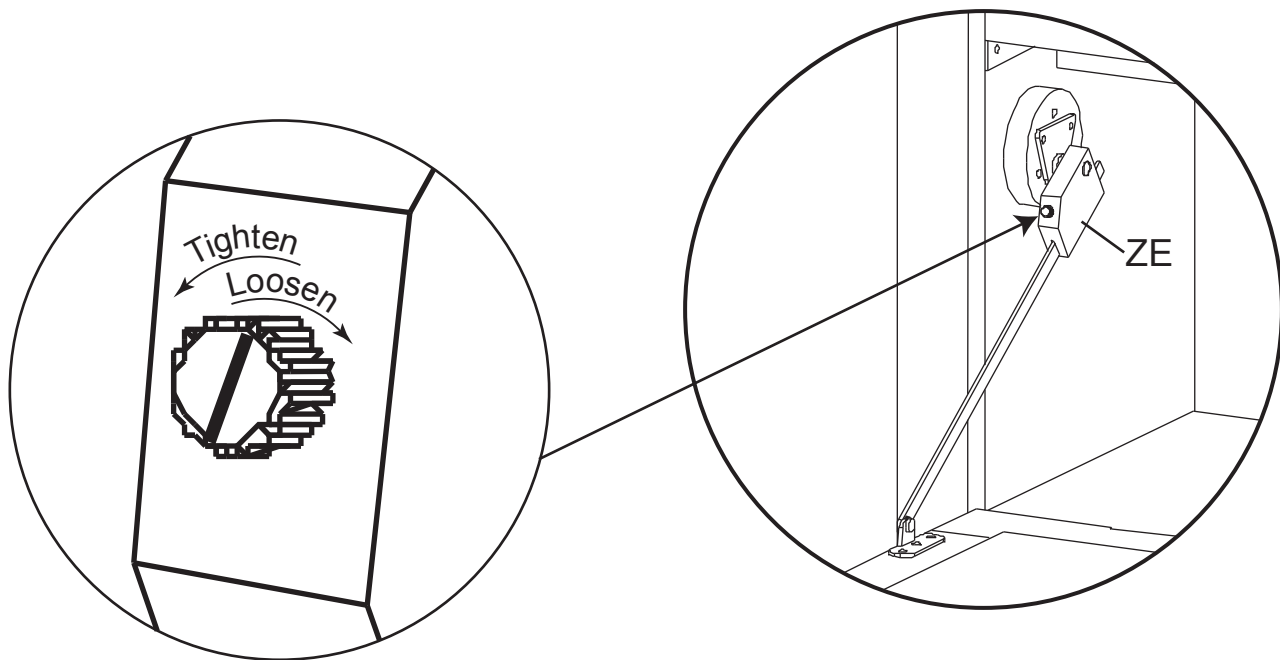


Fig. 15a

Fig. 15

- 15.** To adjust the brake tension on the Door Stay (ZE), turn the screw on the Door Stay clockwise to loosen or counterclockwise to tighten. See Figures 15 and 15a.

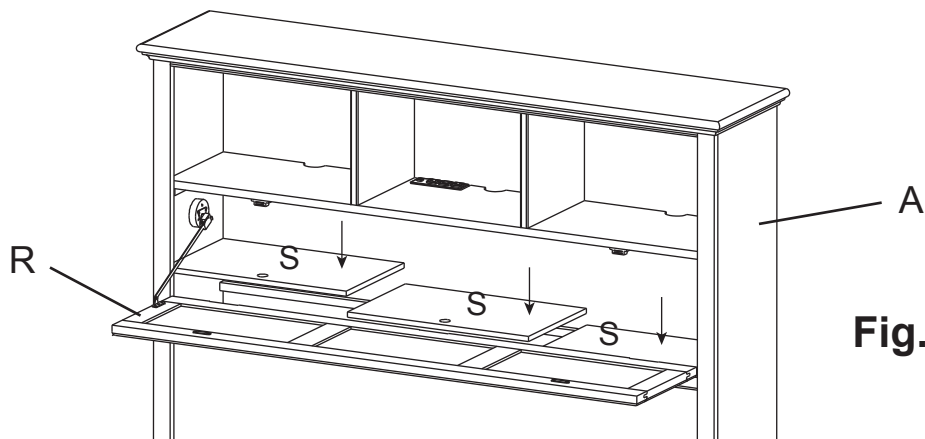


Fig. 16

- 16.** Unwrap the False Bottoms (S) and place them on top of the rails in the Headboard Assembly (A). Make sure the finger holes face forward as shown in Figure 16.

After you have placed your electronics inside the cubbies, use the Wire Clips (ZS) found on the bottom face of the cubbies to secure the wires.

- 17.** Close the door tightly, making sure the magnetic catches and plates securely touch.

- 18.** Check the position markings on the drawer bottoms. Carefully align the drawer slides into the cabinet and gently push them back to their original positions. Sleep well, and enjoy!