

McKenzie Bookcase Cal-King Storage Bed

Model #

1380AFGAC; 1380AFCAF

AFGAC = Glazed Antique Cherry finish

AFCAF = Caffè finish

Assembly Instructions



Congratulations!

This fine piece of furniture will make a gorgeous addition to your home. For the best results, read the Assembly Instructions before you begin your project.

IMPORTANT NOTES:

- For normal household use only. **Not** recommended for commercial use.
- Unload items before you move this unit.
- Before you load or move this unit, check to make sure all screws and supports are tight.
- Do not overload the concealed storage areas.
- Do not overload the drawers.
- Before you begin your project, completely read the Assembly Instructions.
- Store this item: 1- in its box; 2- in a dry place; 3- in temperatures that range from 40°F to 90°F (not on a cold and possibly damp cement floor).
- Periodically inspect your furniture for any loose glue joints, screws or any other problem that might affect the stability of your furniture. Tighten or repair as needed.
- This assembly requires two people.

DESIGN SUBJECT TO CHANGE WITHOUT NOTICE.



CALL US FIRST! *Do not return this item to the store.*

Service Policy: We will replace any part that is defective, missing or damaged during assembly. Please contact Whittier Wood Products customer service department directly by phone, fax, mail or email for a replacement part.

Hours: Our friendly customer service staff can be reached Monday-Friday 7:00 a.m. to 5:00 p.m. (Pacific Time). You may leave a message 24 hours a day, seven days a week.

To Order: Designate the finish, provide the furniture model number (upper portion of this page), the part letter, production code, quantity needed, reason for replacement and your full name, address and telephone number.

Parts ship from our Eugene, Oregon factory within one or two business days from the time we receive your request. Please allow five to ten business days for delivery.

800-653-3336 • Outside the U.S. or Canada: 541-687-0213 • Fax: 541-687-2060
www.whittierwood.com • P.O. Box 2827 • Eugene, Oregon 97402, U.S.A.

**Whittier
Wood**
FURNITURE

P.O. Box 2827
Eugene, OR 97402 USA

Production Code:

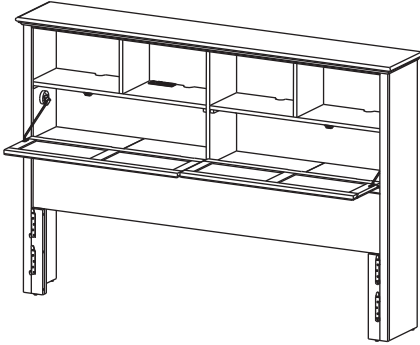
VN

06/10

1380AFGAC; 1380AFCAF McKenzie Bookcase Cal-King Storage Bed — Parts List

Please identify the parts and check that quantities received match those on this list.
If you need to replace a part, refer to the following letter and model name.

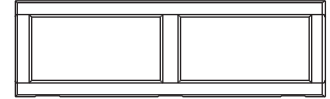
1382AFGAC; 1382AFCAF Headboard Kit (x1)



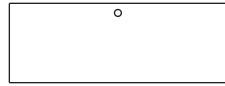
A — Headboard Assembly
— Qty. 1



E — #8 x 1-1/4" Black
Screw — Qty. 53 (inserted)



R — Assembled Door
— Qty. 2 (attached)



S — False Bottom
— Qty. 4



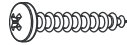
X — Power Strip
— Qty. 1 (installed)



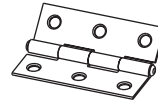
Y — #8x7/8" LoProfile Screw
— Qty. 4 (inserted)



YA — Large Adjustable Glide
— Qty. 2 (installed)



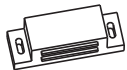
YB — #8 x 5/8" Pan Head
Screw — Qty. 8 (inserted)



ZA — Hinge
— Qty. 6 (installed)



ZB — Magnetic Plate
— Qty. 4 (installed)



ZC — Magnetic Catch
— Qty. 4 (installed)



ZD — #5x5/8" Flat Head
Screw — Qty. 8 (inserted)



ZE — Door Stay
— Qty. 2 (attached)



ZF — #6x5/8" Undercut
Screw — Qty. 8 (inserted)



ZG — Door Stay Support
— Qty. 2 (attached)



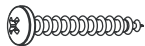
ZH — #6 x 1-1/4" Black Pan
Head Screw — Qty. 6
(inserted)



ZI — #6x5/8" Flat Head
Screw — Qty. 36
(inserted)



ZJ — #6x5/8" Philtruss
Screw — Qty. 8 (inserted)



ZN — #8 x 1-1/4" Pan Head
Screw — Qty. 13 (inserted)



ZO — #8 x 2-1/4" Black
Screw — Qty. 6 (inserted)



ZP — #8 x 1" Black
Screw — Qty. 16 (inserted)



ZQ — Left Bracket
— Qty. 2 (attached)



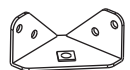
ZR — Right Bracket
— Qty. 2 (attached)



ZS — Wire Clip
Screw — Qty. 8 (attached)



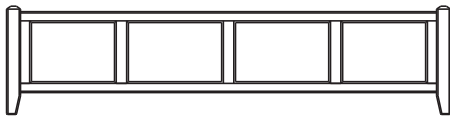
ZT — Tack Glide
— Qty. 4 (attached)



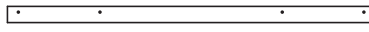
ZZ — Corner Brace
— Qty. 2 (attached)

1380AFGAC; 1380AFCAF McKenzie Bookcase Cal-King Storage Bed — Parts List continued

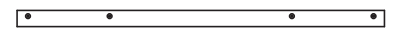
1383AFGAC; 1383AFCAF Footboard Kit (x1)



B — Footboard — Qty. 1



C — Trellis Without T-Nuts
— Qty. 4



D — Trellis With T-Nuts
— Qty. 8



E — #8 x 1-1/4" Black Screw
— Qty. 48 (12 inserted)



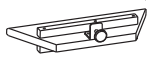
F — 1/4" x 1-3/4"
Hex Bolt — Qty. 16



G — 1/4" x 2-1/2"
Hex Bolt — Qty. 16



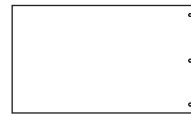
H — Washer
— Qty. 32



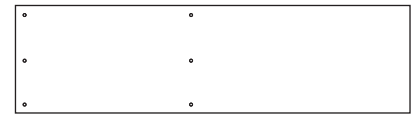
U — Foot Assembly
— Qty. 2



T — #8 x 2" Black Screw
— Qty. 6



YC — Short C
Deckboard — Qty. 1



ZM — Long Center Deckboard
— Qty. 1

V — Leveler Bracket
— Qty. 2 (installed)



ZP — #8 x 1" Black
Screw — Qty. 16 (inserted)



ZQ — Left Bracket
— Qty. 2 (attached)



ZR — Right Bracket
— Qty. 2 (attached)

W — Adjustable Glide
— Qty. 2 (installed)

ZY — Foot Bracket
— Qty. 2 (attached)

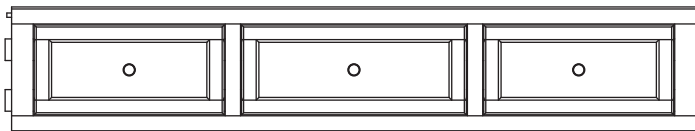


ZU — T-Nut
— Qty. 32 (inserted)



ZV — #8 x 20mm Pan Head
Screw — Qty. 34 (inserted)

1335AFGAC; 1335AFCAF Pedestal Kit (x2)



I — Pedestal Kit — Qty. 1



J — Drawer Box
— Qty. 3 (assembled)



L — Drawer Face
— Qty. 3 (attached)



N — #8 x 1-1/2" Machine
Screw — Qty. 3



O — Knob — Qty. 3

Q — Drawer Slides
— Qty. 3 (attached sets)

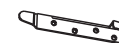


P — Deckboard — Qty. 1

Y — #8 x 7/8" Lo-Profile
Screw — Qty. 24 (inserted)



ZP — #8 x 1" Black Screw
— Qty. 16 (inserted)



ZQ — Left Bracket
— Qty. 2 (attached)



ZR — Right Bracket
— Qty. 2 (attached)

E — #8 x 1-1/4" Black
Screw — Qty. 30 (inserted)



T — #8 x 2" Black Screw
— Qty. 16 (inserted)



ZW — #6 x 1/2" Undercut
Screw — Qty. 36 (inserted)

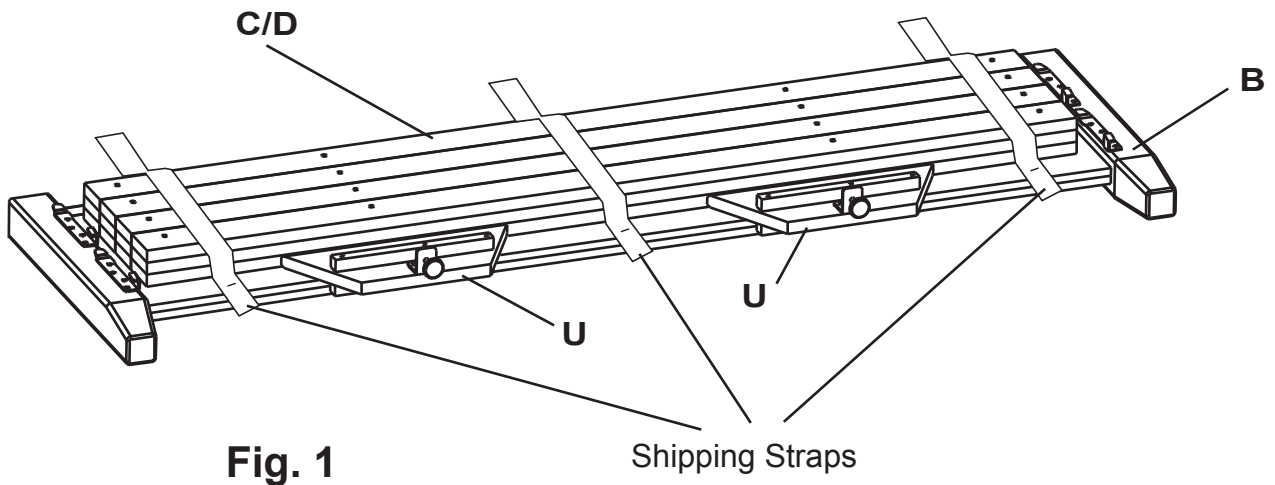


ZX — #8 x 1-5/8" Black
Screw — Qty. 12 (inserted)

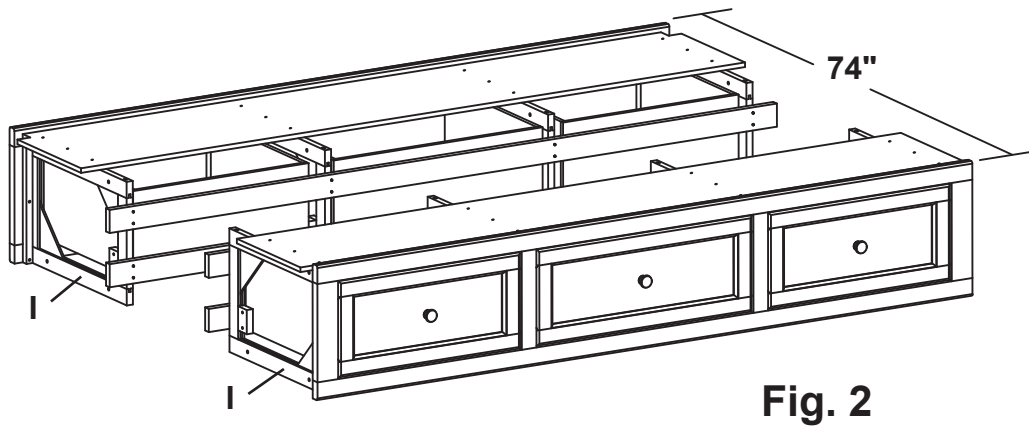
1380AFGAC; 1380AFCAF McKenzie Bookcase Cal-King Storage Bed Assembly Instructions

This assembly requires two people

Tools required: Phillips screwdriver, Slotted screwdriver, 7/16" wrench, Tape measure

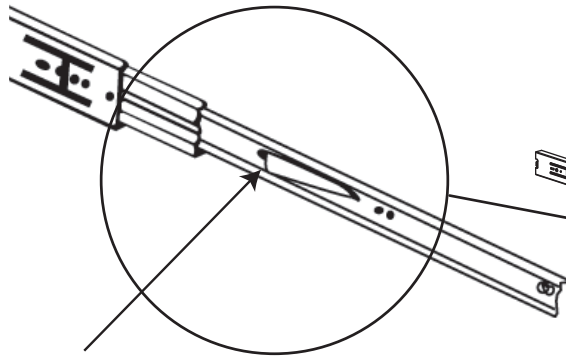


1. Remove the Trestles (C/D) and Foot Assemblies (U) from the back of the Footboard (B) and place them off to the side. See Figure 1.
-



2. Place both Pedestals (I) approximately 74" apart as shown in Figure 2.

Fig. 3a



Drawer Release Lever

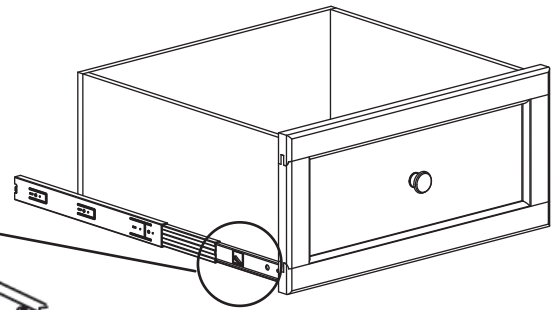


Fig. 3

3. Remove the Drawers (J) from the Pedestal Kits (I). To remove the drawers, pull up on the left side of the Drawer Release Lever while pushing down on the right Drawer Release Lever. See Figure 3a. Note where each drawer came from to ensure correct installation. Positions are marked on the drawer bottoms.

Fig. 4a

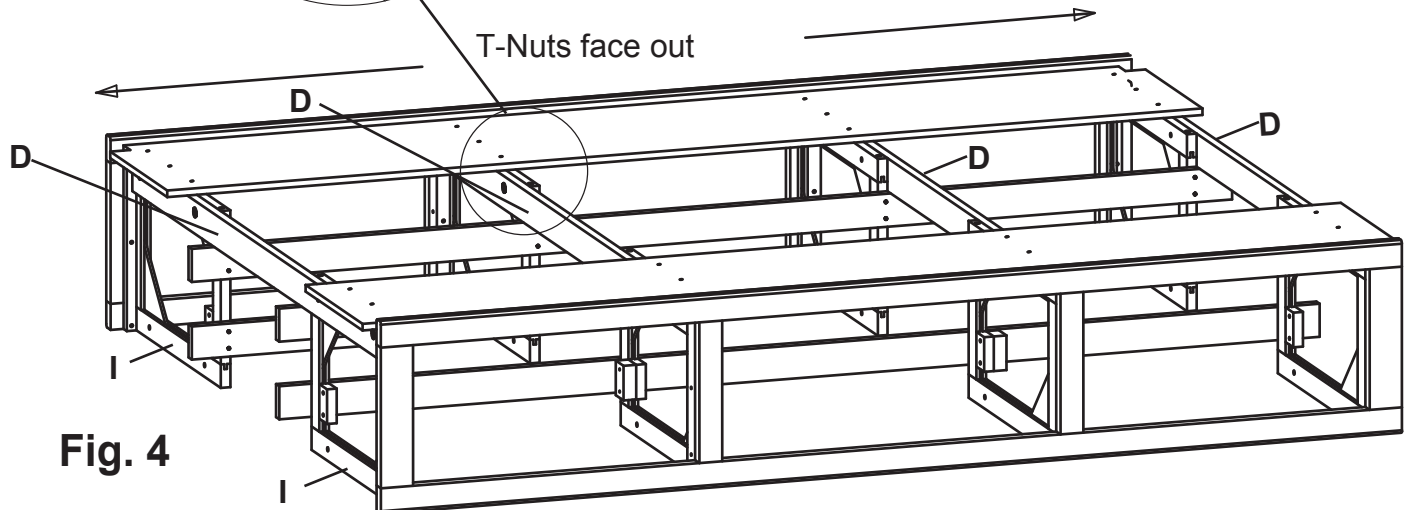
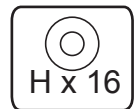
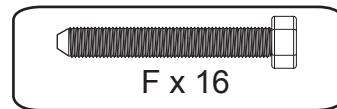
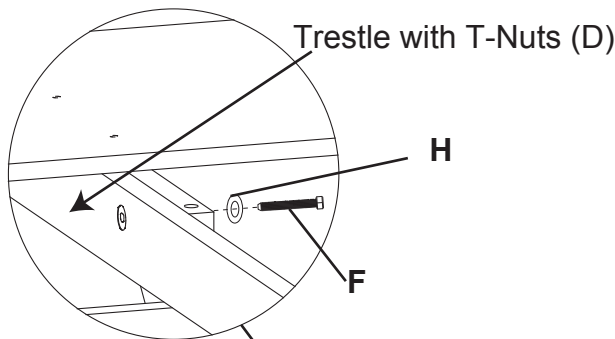


Fig. 4

NOTE: Do not tighten the bolts with a wrench until Step 10 is completed. Hand-tighten only.

4. Place four Trestles with T-Nuts (D) between the Pedestals (I) and insert and hand-tighten 1/4 x 1-3/4" Bolts (F) and Washers (H) as shown in Figure 4a. When installing the Trestles (D), make sure the T-nuts face out as shown in Figure 4.



Rotate Pedestal Assembly upside down so that the plywood Deckboards are on the floor.

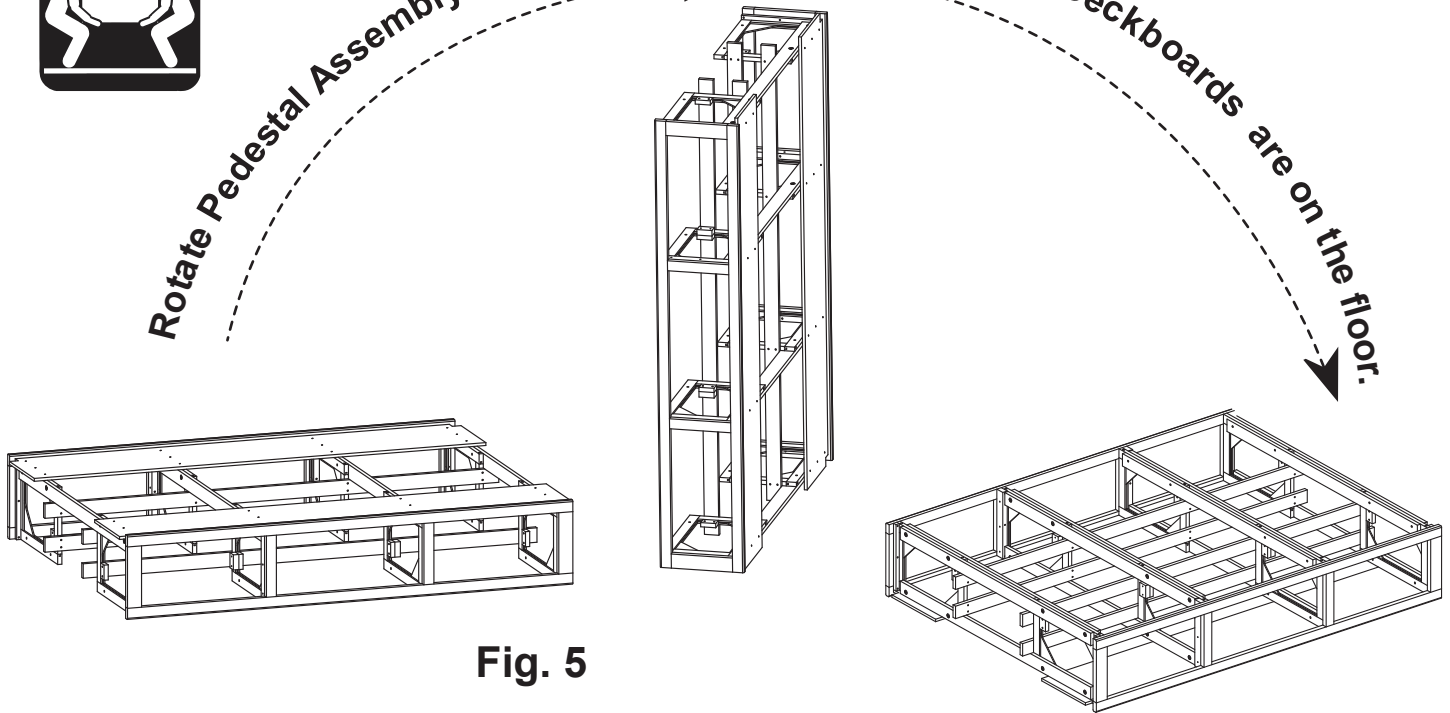


Fig. 5

5. Rotate the Pedestal Assembly upside down so the plywood deckboards are on the floor.

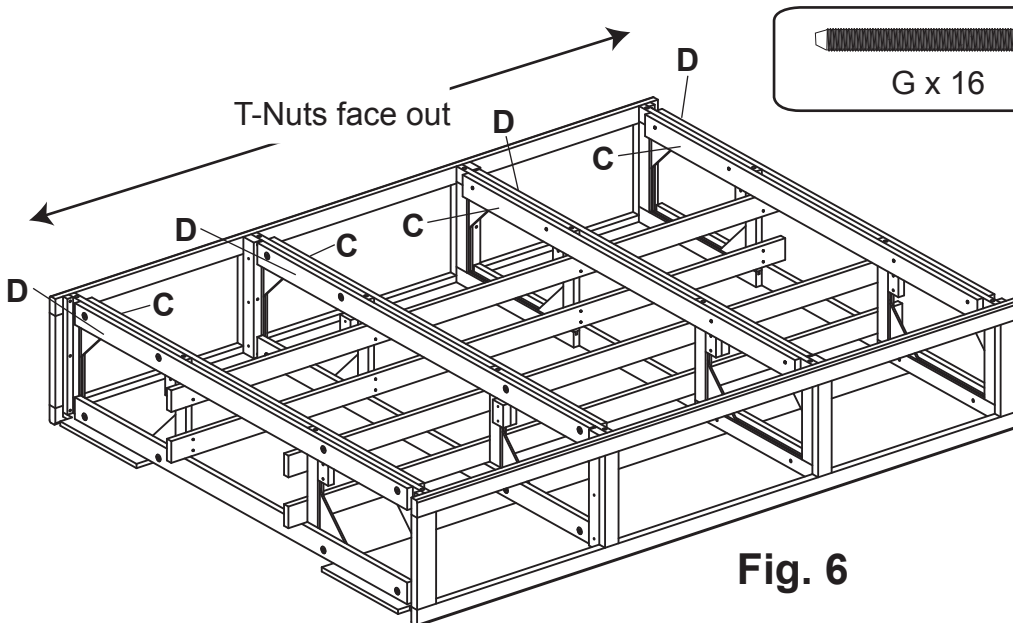


Fig. 6

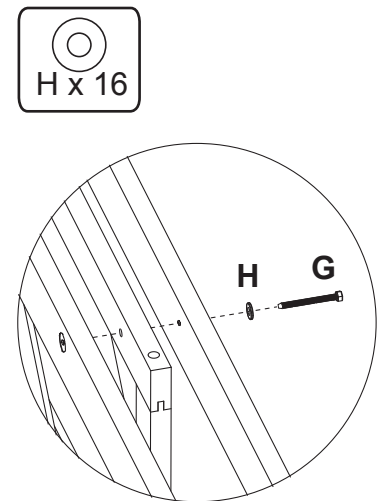


Fig. 6a

NOTE: Do not tighten the bolts with a wrench until Step 10 is completed. Hand-tighten only.

6. Position the remaining Trestles (C and D) on the Pedestal Assembly. Face the Trestles with T-Nuts (D) toward the ends of the Assembly from the center of the bed as shown in Figure 6. Insert and hand-tighten the 1/4" x 2-1/2" Hex Bolts (G) and Washers (H). See Figures 6 and 6a.

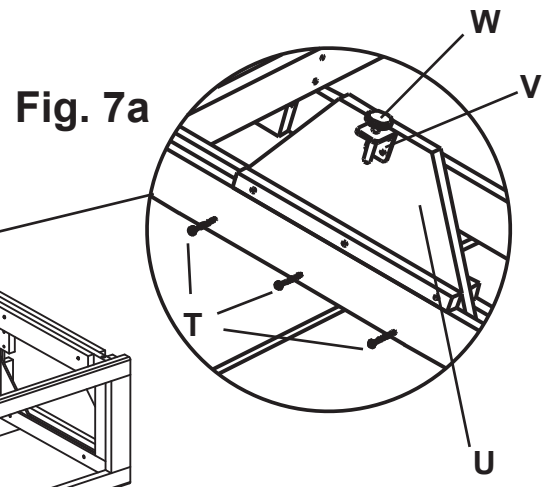
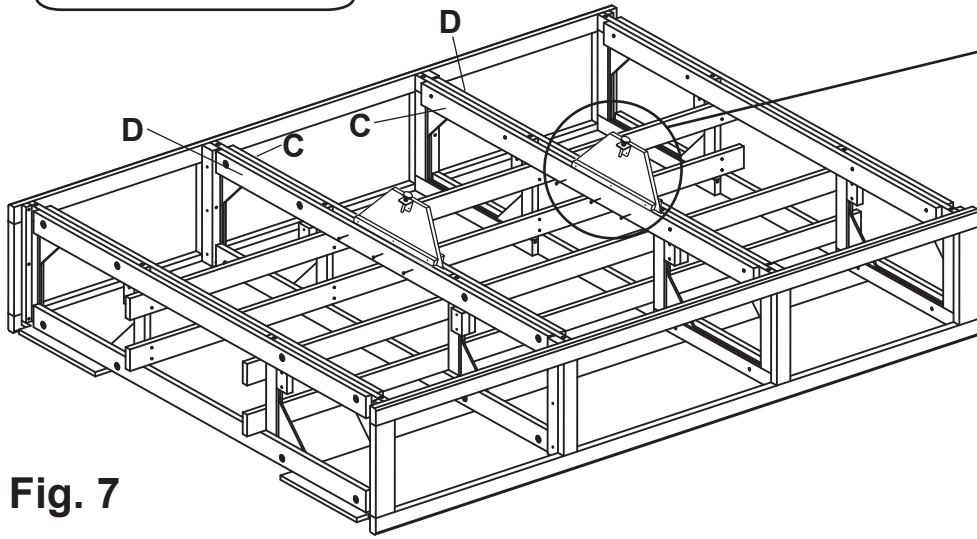


Fig. 7

7. On one inner pair of Trestles (C & D), place a Foot Assembly (U) between the Trestles as shown in Figure 7. Attach with three #8 x 2" Black Screws (T), making sure the screws go through the trestle and into the Foot Assembly. Repeat the step for the second Foot Assembly. See Figures 7 and 7a.



Rotate Pedestal Assembly to its original position.

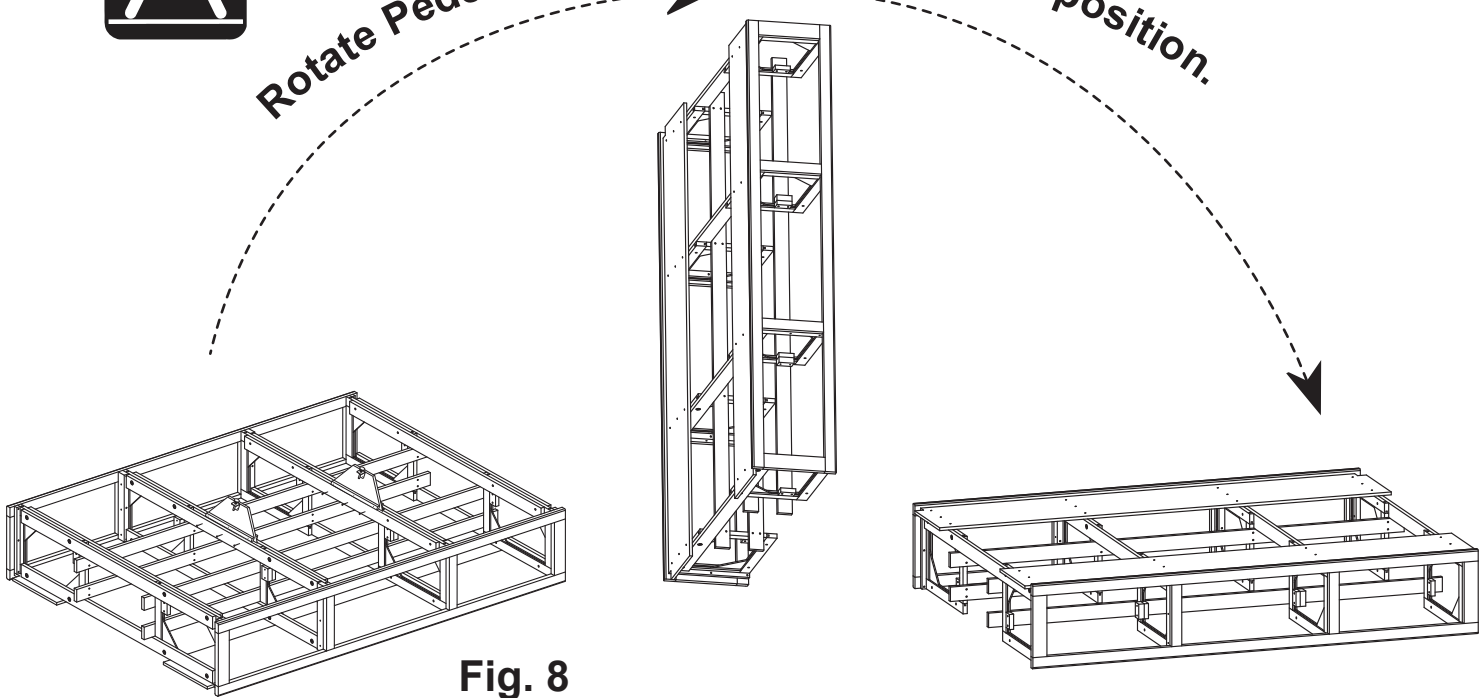


Fig. 8

8. Rotate the Pedestal Assembly to its original position.

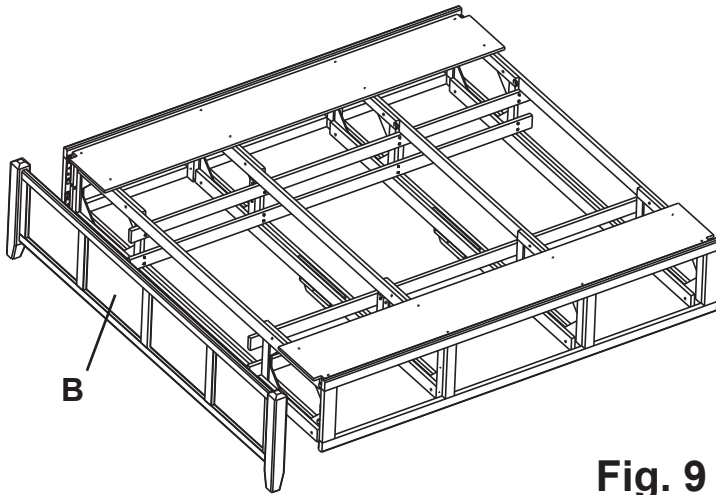


Fig. 9

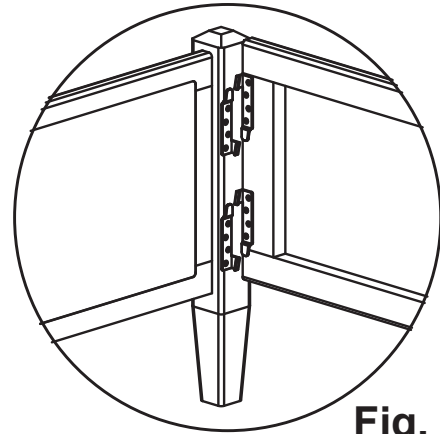


Fig. 9a

9. Attach the Footboard (B) to the Pedestal Assembly as in Figure 9. Align the brackets as shown in Figure 9a and slide the Pedestal Assembly down on to the Footboard (B).

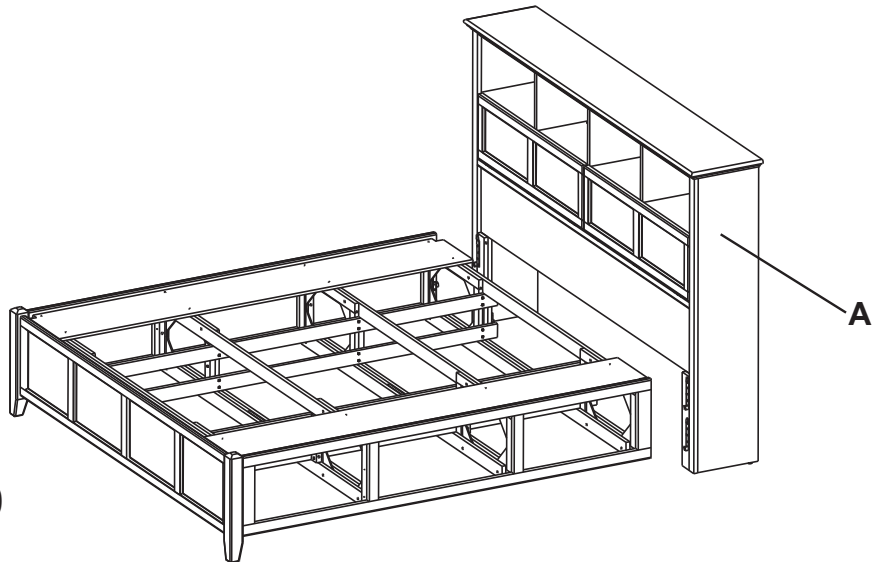
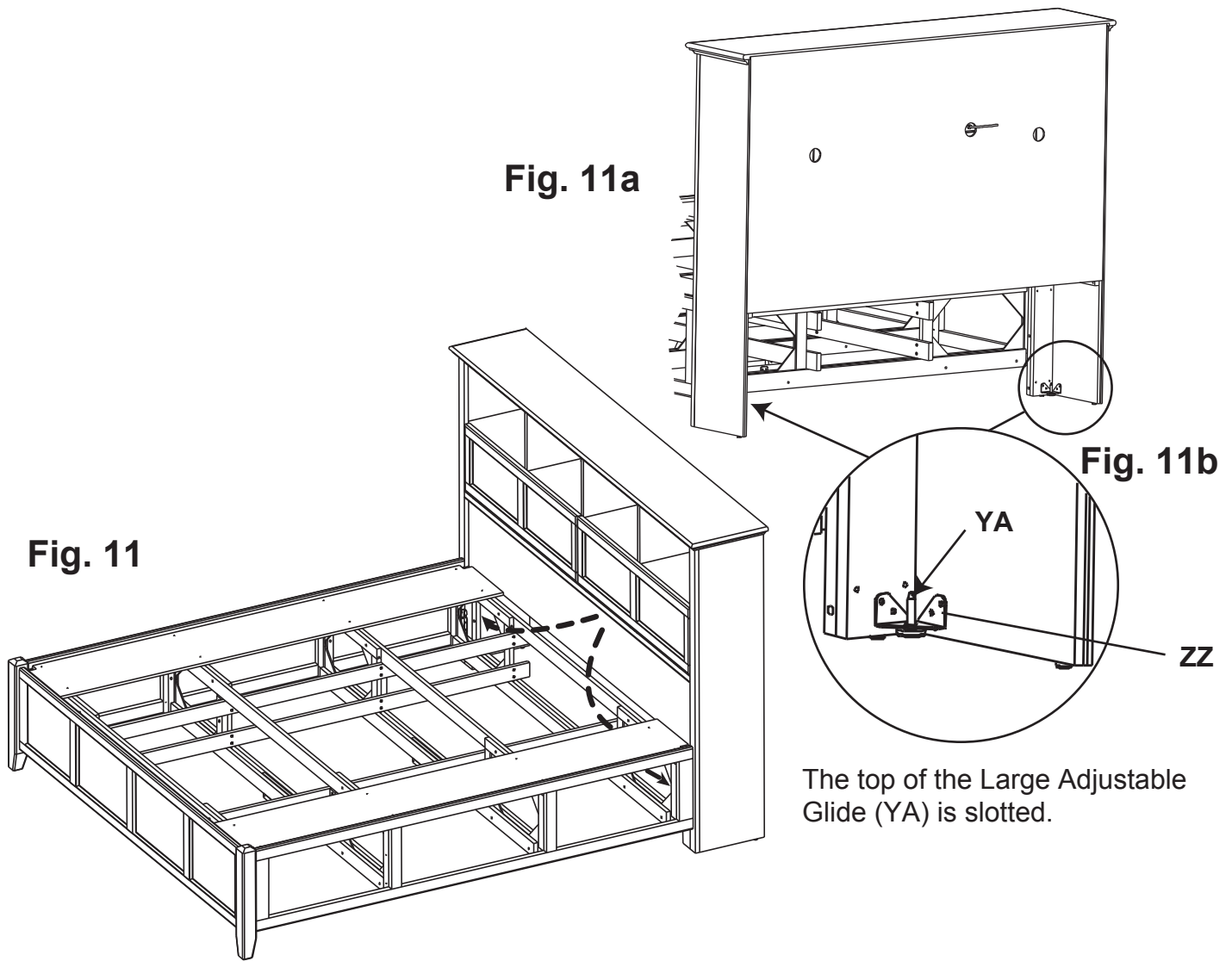


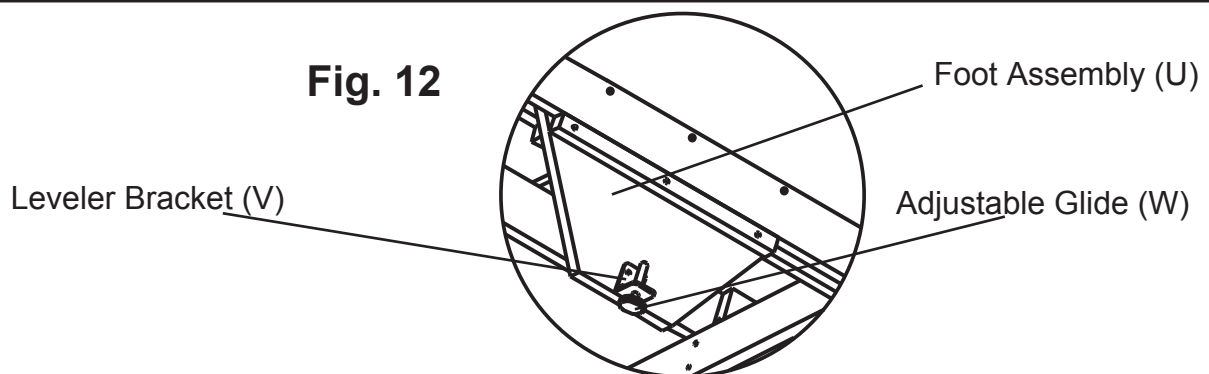
Fig. 10

10. Attach the Headboard (A) to the Pedestal Assembly as in the previous step.
NOTE: Now use a wrench and tighten all of the bolts on the trestles.

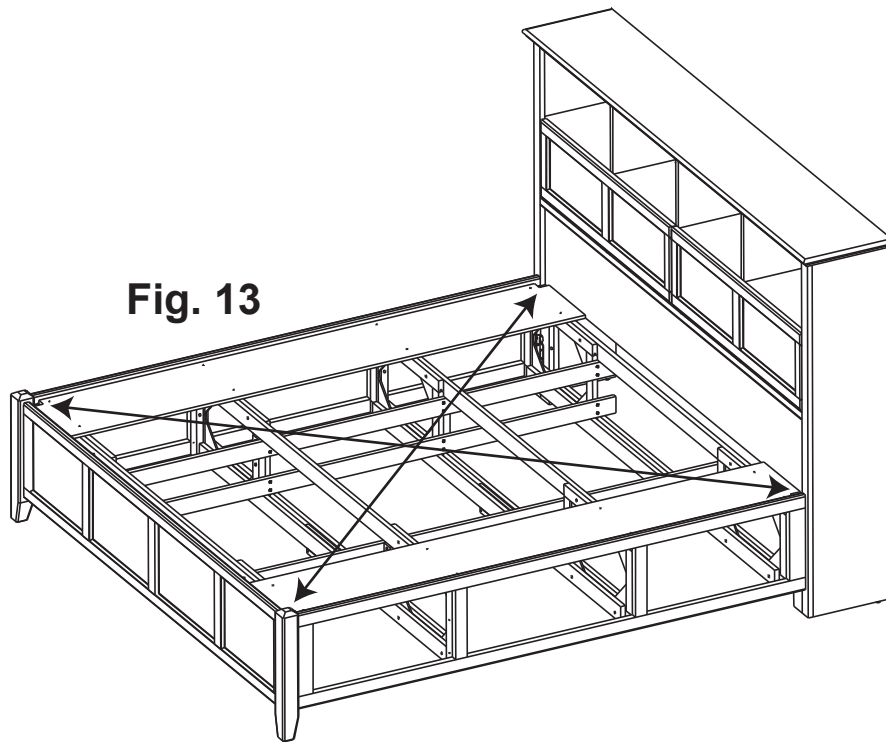


11. Place your bed in its final position. To level the headboard, stand in the open area in between the two attached deckboards and reach through the front of the platform. See Figure 11. Using a slotted screwdriver, rotate the Large Adjustable Glide (YA) clockwise until it bears weight. Repeat for the opposite side. See Figures 11a and 11b.

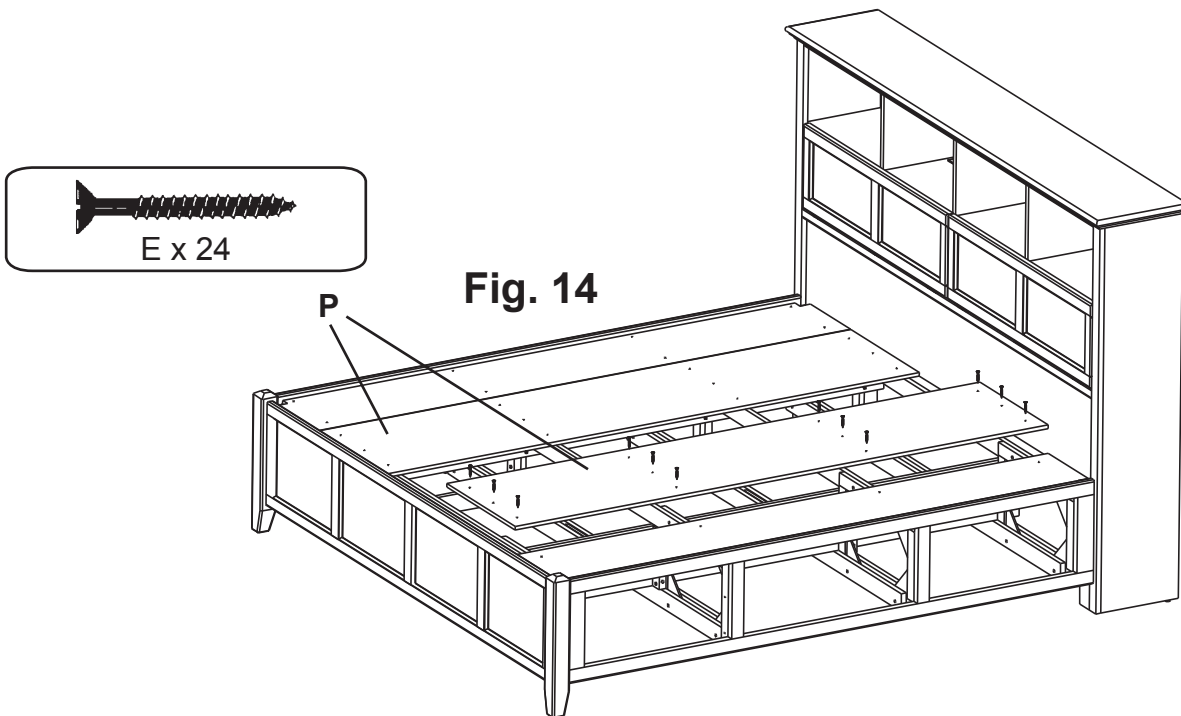
THIS IS ESPECIALLY IMPORTANT IF THE BOOKCASE HEADBOARD SITS UPON A CARPET TACK STRIP.



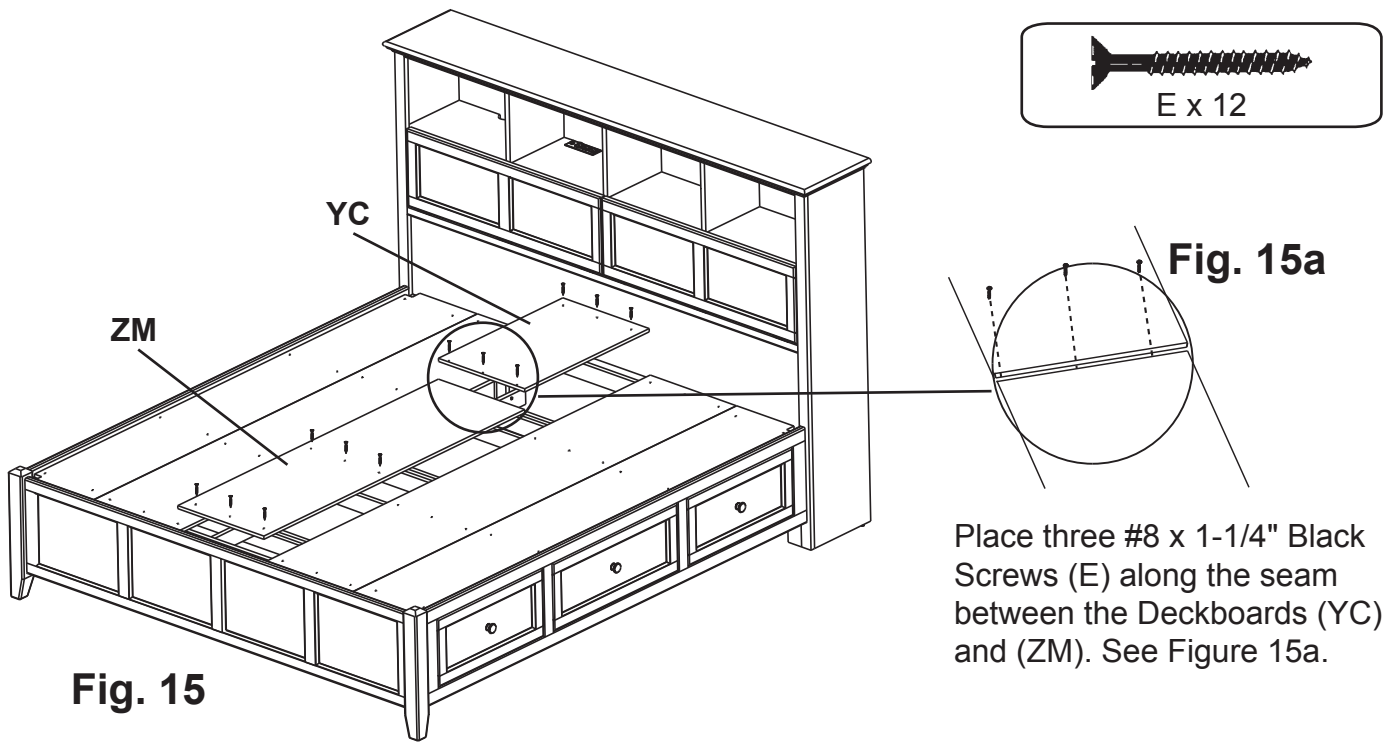
12. Adjust the Glides (W) on the Foot Assemblies (U) so the Glides just touch the floor.



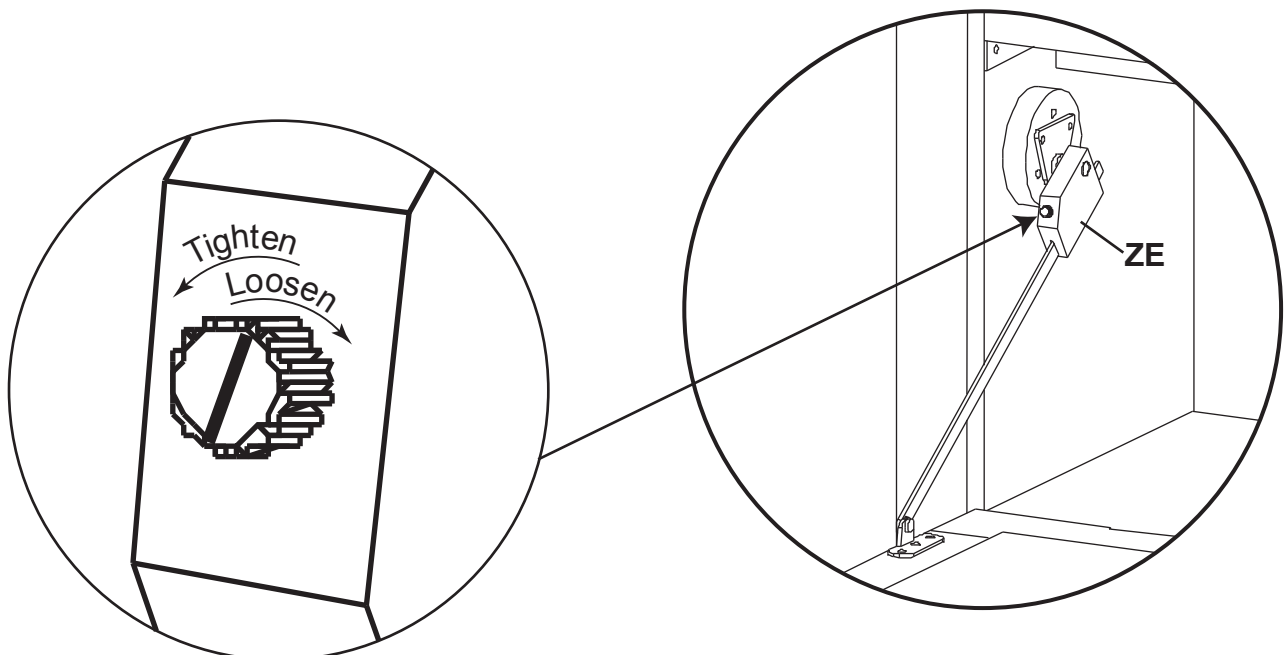
13. To make sure the bed is square, measure the distance between opposing corners. If one of the measurements is larger, tap on a footboard leg until the measurement is equal. See Figure 13.
-



14. Place the Deckboards (P) as shown in Figure 14. There should be a small gap between each deckboard. Secure with 24 #8x1-1/4" Screws (E).



15. Place the Long Center Deckboard (ZM) and Short Center Deckboard (YC) as shown in Figure 15 and secure with #8 x 1-1/4" Black Screws (E). If you need to readjust the center feet, remove the Long Center Deckboard (ZM), adjust the glides, and reattach the deckboard.



16. To adjust the brake tension on the Door Stay (ZE), turn the screw on the Door Stay clockwise to loosen or counterclockwise to tighten. See Figures 16 and 16a.

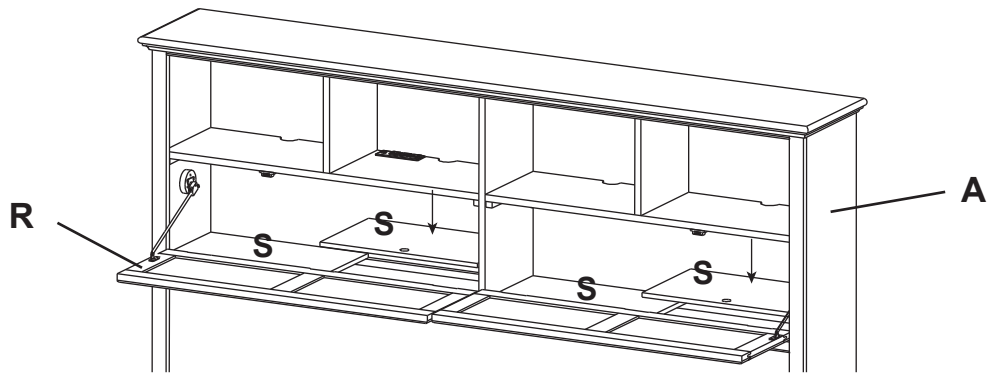


Fig. 17

- 17.** Unwrap the False Bottoms (S) and place them on top of the rails in the Headboard Assembly (A). Make sure the finger holes face forward as shown in Figure 17.

After you have placed your electronics inside the cubbies, use the Wire Clips (ZS) found underneath the cubbies to secure the wires.

-
- 18.** Close the door tightly, making sure the magnetic catches and plates securely touch.
-
- 19.** Check the position markings on the drawers. Carefully align the drawer slides into the cabinet and gently push them back to their original positions. Sleep well, and enjoy!