

# McKenzie Mantel Storage Beds for Adjustable Bed Bases

AFGAC = Glazed Antique Cherry finish

AFCAF = Caffè finish

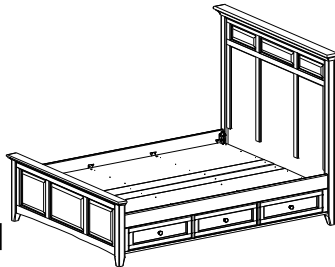
*Assembly Instructions*

Model #

**2322AFGAC;**

**2322AFCAF**

**McKenzie Queen  
Mantel Storage Bed  
for Adjustable Bed  
Bases**

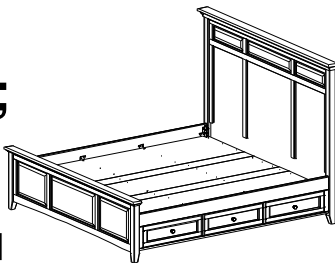


Model #

**2325AFGACa;**

**2325AFCaFa**

**McKenzie King  
Mantel Storage Bed  
for Adjustable Bed  
Bases**



## COMPATIBILITY NOTICE:

This bed is designed to accommodate adjustable bed foundations. To be compatible, the foundation must be able to sit on a floor or deck without leg or foot supports and must be powered by a DC motor. Be sure to consult a mattress expert for more information.

## IMPORTANT NOTES:

- For normal household use only. *Not* recommended to use this unit in a commercial setting.
- Remove items before you move this unit.
- Do not overload the drawers.
- Before you load or move this unit, tighten all screws and supports.
- Before you begin your project, completely read the Assembly Instructions.
- Store this item: 1- in its box; 2- in a dry place; 3- in temperatures that range from 40°F to 90°F (not on a cold and possibly damp cement floor).
- Periodically inspect your furniture for any loose glue joints, screws or any other problem that might affect the stability of your furniture. Tighten or repair as needed.
- This assembly requires two people.

### ***Congratulations!***

*This fine piece of furniture will make a gorgeous addition to your home. For the best results, read the Assembly Instructions before you begin your project.*

**DESIGN SUBJECT TO CHANGE WITHOUT NOTICE.**



**CALL US FIRST!** *Do not return this item to the store*

**Service Policy:** We will replace any part that is defective, missing or damaged during assembly. For a replacement part, directly contact Whittier Wood Products customer service department by phone, fax, mail or email.

**Hours:** Our friendly customer service staff can be reached Monday-Friday 7:00 a.m. to 5:00 p.m. (Pacific Time). You may leave a message 24 hours a day, seven days a week.

**To Order:** Provide the finish and furniture model number (upper portion of this page), the part letter, production code, quantity needed, reason for replacement and your full name, address and telephone number.

*Parts ship from our Eugene, Oregon factory within one or two business days from the time we receive your request. Please allow five to ten business days for delivery.*

800-653-3336 • Outside the U.S. or Canada: 541-687-0213 • Fax: 541-687-2060  
www.whittierwood.com • P.O. Box 2827 • Eugene, Oregon 97402, U.S.A.

**Whittier  
Wood**  
FURNITURE

P.O. Box 2827  
Eugene, OR 97402 USA

Production Code:

VN

02/13

**2322AFGAC; 2322AFCAF**  
**McKenzie Queen Mantel Storage Bed for Adjustable Bed Bases**  
**& 2325AFGACa; 2325AFCAF**  
**McKenzie King Mantel Storage Bed for Adjustable Bed Bases**  
*Parts List*

---

Please note this Assembly Instruction is for either the McKenzie Queen Mantel Storage Bed for Adjustable Bed Bases (2322) or the McKenzie King Mantel Storage Bed for Adjustable Bed Bases (2325).  
 The Parts list for each headboard follows on pages 2 and 3.

Please identify the parts and check that quantities received match those on this list.  
 If you need to replace a part, refer to the following letter and part name.

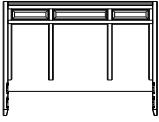
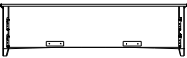
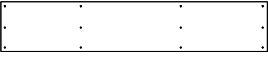

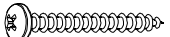

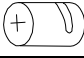




**2317AFGAC; 2317AFCAF**  
**Q. Mantel Headboard/Footboard Kit (x1)**

Part	Description	Quantity
A	Headboard Assembly	1
B	Footboard Assembly	1
ZP	#8 x 1" Black Screw (inserted)	32
ZQ	Left Bed Bracket (attached)	4
ZR	Right Bed Bracket (attached)	4
ZX	#8 x 1-5/8" Black Screw (inserted)	8

**2322AFGAC; 2322AFCAF**  
**McKenzie Queen Mantel Storage Bed for Adjustable Bed Bases**  
**& 2325AFGACa; 2325AFCAF**  
**McKenzie King Mantel Storage Bed for Adjustable Bed Bases**  
*Parts List*

---

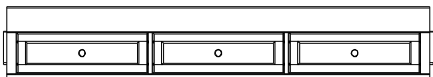
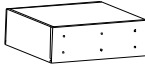

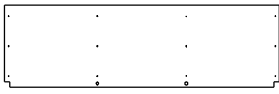






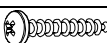




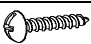


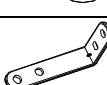

**2320AFGACa; 2320AFCAF**  
**K. Mantel Headboard/Footboard Kit (x1)**

Part	Description	Quantity
Aa	Headboard Assembly 	1
B	Footboard Assembly 	1
Rb	Center Deckboard 	1
YH	Top Assembly 	1
YI	#8 x 1-1/4" Pan Head Screw 	2
YJ	Cam Connector (inserted) 	2
YK	Cam Housing 	2
ZP	#8 x 1" Black Screw (inserted) 	32
ZQ	Left Bed Bracket (attached) 	4
ZR	Right Bed Bracket (attached) 	4
ZX	#8 x 1-5/8" Black Screw (inserted) 	4




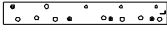
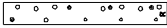

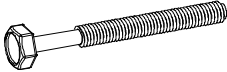



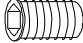

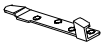

**2322AFGAC; 2322AFCAF**  
**McKenzie Queen Mantel Storage Bed for Adjustable Bed Bases**  
**& 2325AFGACa; 2325AFCAF**  
**McKenzie King Mantel Storage Bed for Adjustable Bed Bases**  
*Parts List*

---

**2323AFGAC; 2323AFCAF**  
**Adjustable Bed Pedestal Kit (x2)**

Part	Description	Quantity
E	Pedestal 	1
F	Drawer Box (assembled) 	3
G	Drawer Face (attached) 	3
H	Notched Deckboard (attached) 	1
I	Left/Right Center Deckboard 	1
J	Queen Trestle (11-9/16") 	2
K	King Trestle (27-9/16") 	2
L	Foot Assembly 	3
M	Foot Bracket (attached) 	3
N	Adjustable Glide (installed) 	3
O	#8 x 20mm Pan Head Screw (inserted) 	12
P	Knob (attached) 	3
Q	#8 x 1-1/2" Machine Screw (installed) 	3
R	Drawer Slides (installed) 	3 sets
S	#6 x 1/2" Philtruss Screw (inserted) 	22 (18 inserted)
T	#6 x 3/4" Philtruss Screw (inserted) 	18
U	1/4" x 1-3/4" Hex Bolt 	6
V	1/4" Flat Washer 	10 (4 inserted)
W	90° Bracket 	1
X	#8 x 7/8" Lo-Profile Screw (inserted) 	18

**2322AFGAC; 2322AFCAF**  
**McKenzie Queen Mantel Storage Bed for Adjustable Bed Bases**  
**& 2325AFGACa; 2325AFCAF**  
**McKenzie King Mantel Storage Bed for Adjustable Bed Bases**  
*Parts List*

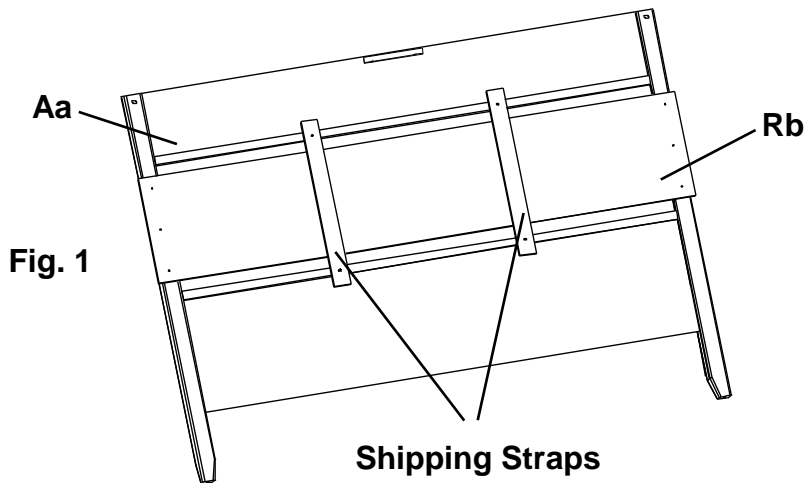
<b>Part</b>	<b>Description</b>		<b>Quantity</b>
Y	#8 x 1-1/4" Black Screw		58 (48 inserted)
ZA	Left Pedestal Angle Bracket (inserted)		2
ZB	Right Pedestal Angle Bracket (inserted)		2
ZC	Left Pedestal Bracket (inserted)		1
ZD	Right Pedestal Bracket (inserted)		1
ZE	#6 x 3/4" Flat Head Screw (inserted)		8
ZF	1/4" x 2-1/2" Hex Bolt (inserted)		4
ZG	Arched Washer (inserted)		4
ZH	1/4" Lock Washer (inserted)		4
ZI	1/4" Hex Nut (inserted)		4
ZJ	1/4" x 13.5mm Insert Nut (inserted)		8
ZP	#8 x 1" Black Screw (inserted)		26
ZQ	Left Bed Bracket (attached)		2
ZR	Right Bed Bracket (attached)		2

**2322AFGAC; 2322AFCAF**  
**McKenzie Queen Mantel Storage Bed for Adjustable Bed Bases**  
**& 2325AFGACa; 2325AFCAF**  
**McKenzie King Mantel Storage Bed for Adjustable Bed Bases**  
*Assembly Instructions*  
 This assembly requires two people.

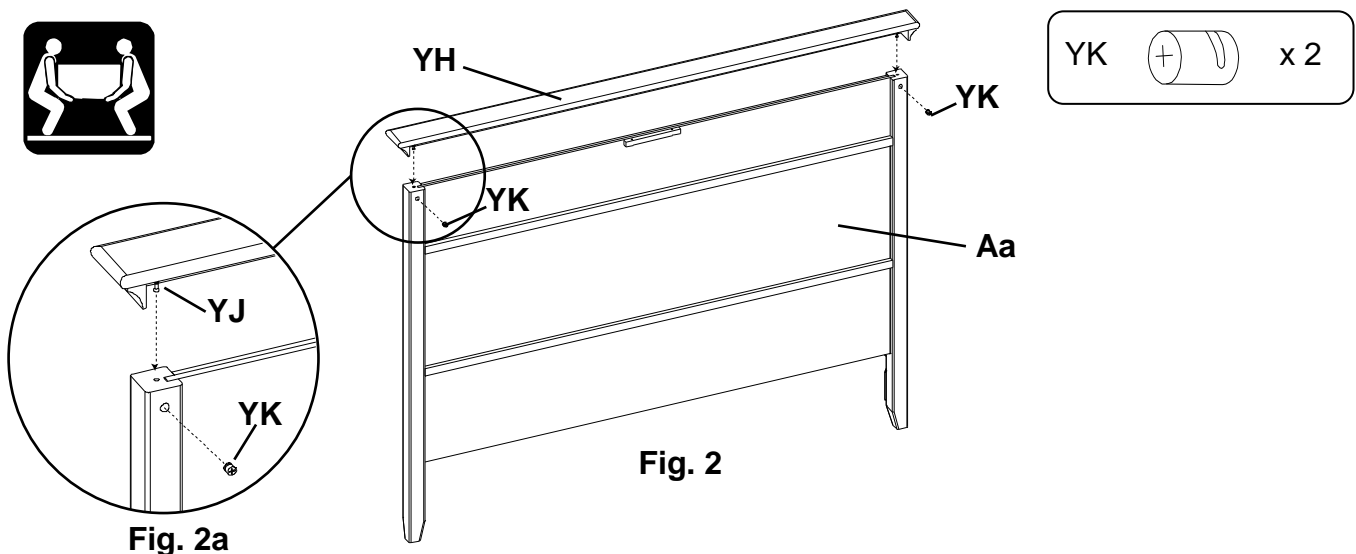
**Tools Required:** Phillips screwdriver, 7/16" open end or box end wrench and Tape measure

**Steps 1, 2 & 3 are for the McKenzie King Mantel Storage Bed for Adjustable Bed Bases (#2325)**

1. Remove the Center Deckboard (Rb) from the back of the Headboard (Aa) and place to the side. See Figure 1.



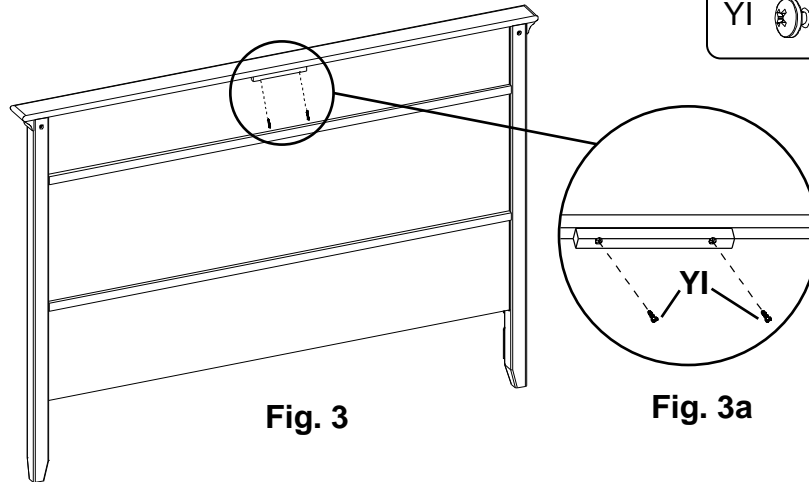
2. **NOTE: READ CAM INSTRUCTIONS NOW BEFORE YOU BEGIN THE FOLLOWING STEP.** Insert Cam Housings (YK) into the two pre-drilled holes on the Headboard Assembly (Aa) as shown in Figure 2. Lower Top Assembly (YH) so that the Cam Connectors (YJ) fit into the housings (YK) tighten the cam housings as indicated in the Cam-lock System instructions. See Figures 2 and 2a.



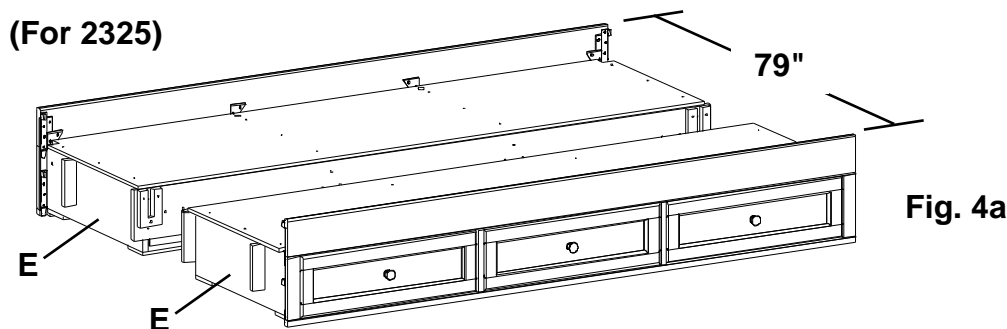
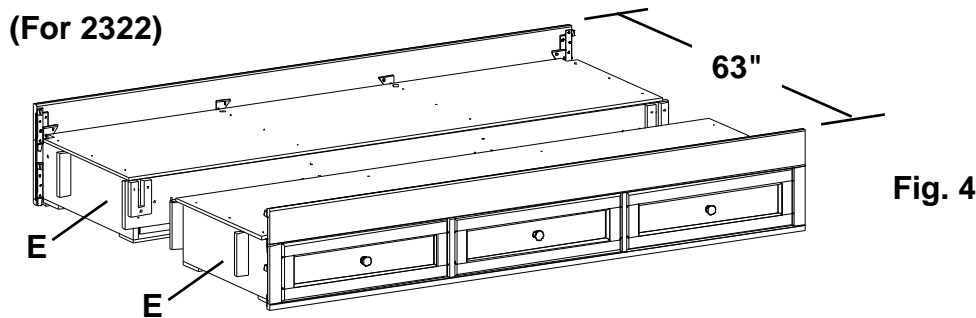
**2322AFGAC; 2322AFCAF**  
**McKenzie Queen Mantel Storage Bed for Adjustable Bed Bases**  
**& 2325AFGACa; 2325AFCAF**  
**McKenzie King Mantel Storage Bed for Adjustable Bed Bases**  
*Assembly Instructions*

This assembly requires two people.

3. Attach the Top Assembly (YH) to the Headboard Assembly (Aa) by inserting two #8x1-1/4" Pan Head Screws (YI) into the predrilled holes in the block that is attached to the Headboard Assembly (Aa). See Figures 3 and 3a.



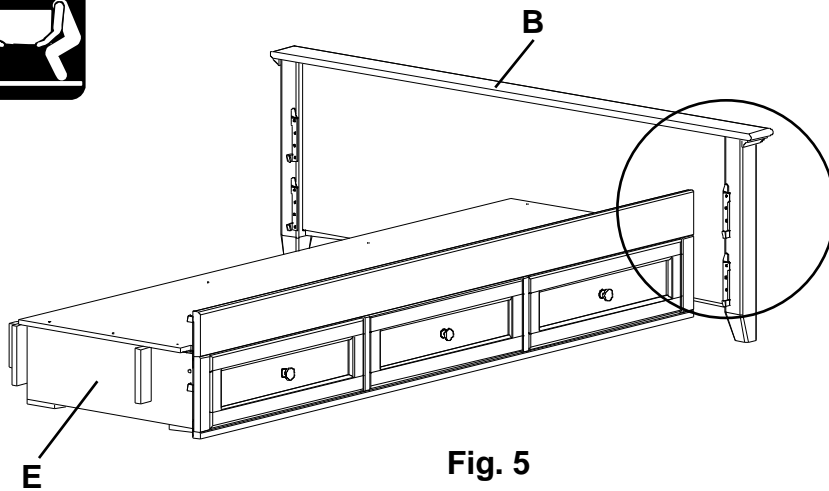
4. Place both Pedestals (E) approximately 63" apart for #2322 Queen Bed, or 79" apart for #2325 King Bed as shown in Figures 4 and 4a.



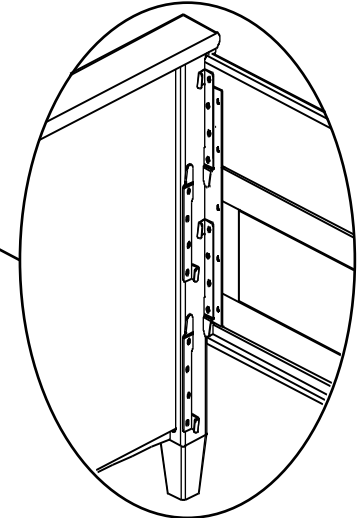
**2322AFGAC; 2322AFCAF**  
**McKenzie Queen Mantel Storage Bed for Adjustable Bed Bases**  
**& 2325AFGACa; 2325AFCAF**  
**McKenzie King Mantel Storage Bed for Adjustable Bed Bases**  
*Assembly Instructions*  
This assembly requires two people.

---

5. To attach the Footboard (B) to the Pedestal (E), align the Brackets and slide the Pedestal down on to the Footboard (B). See Figures 5 and 5a.

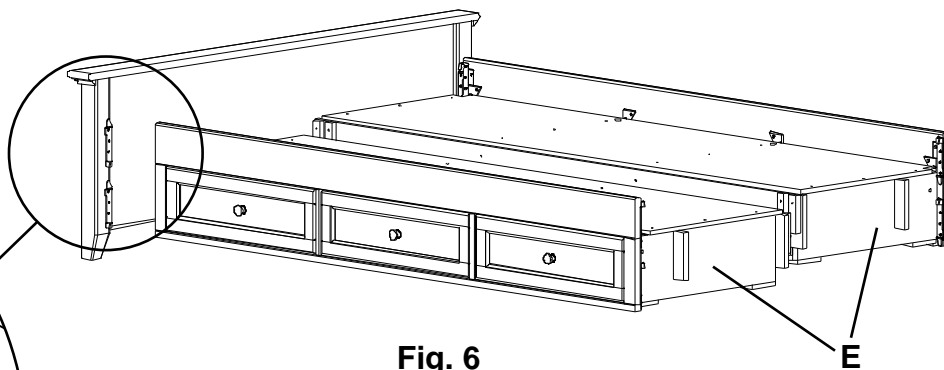


**Fig. 5**



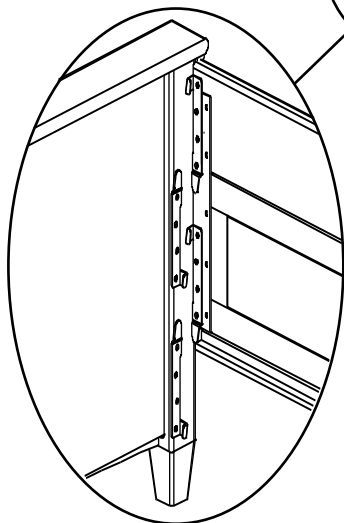
**Fig. 5a**

6. Repeat step five for the left side. See Figures 6 and 6a.



**Fig. 6**

**E**



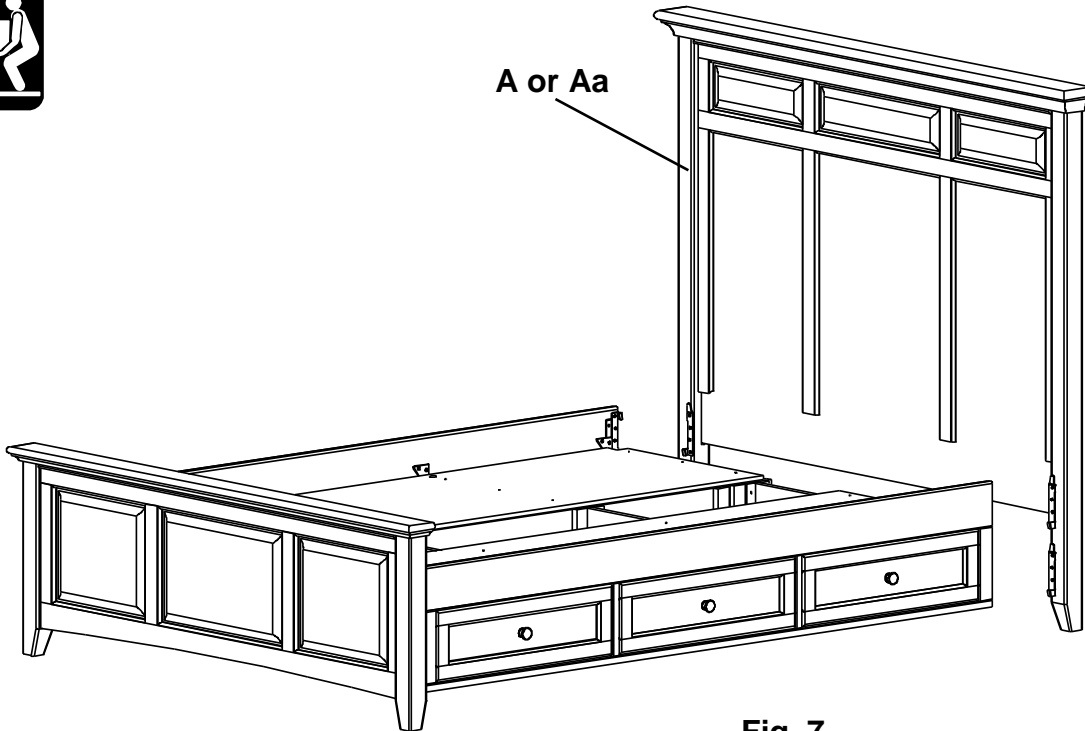
**Fig. 6a**



**2322AFGAC; 2322AFCAF**  
**McKenzie Queen Mantel Storage Bed for Adjustable Bed Bases**  
**& 2325AFGACa; 2325AFCAF**  
**McKenzie King Mantel Storage Bed for Adjustable Bed Bases**  
*Assembly Instructions*  
This assembly requires two people.

---

7. Align the Brackets on both sides and slide the Pedestal/Footboard assembly down on to the Headboard (A or Aa). See Figure 7.



**Fig. 7**

**2322AFGAC; 2322AFCAF**  
**McKenzie Queen Mantel Storage Bed for Adjustable Bed Bases**  
**& 2325AFGACa; 2325AFCAF**  
**McKenzie King Mantel Storage Bed for Adjustable Bed Bases**

*Assembly Instructions*

This assembly requires two people.

8. Position three Foot Assemblies (L) onto the right Pedestal as shown in Figures 8 and 8a. Attach to the Pedestal with 1/4" x 1-3/4" Hex Bolts (U) and 1/4" Flat Washers (V). See Figures 8 and 8a.

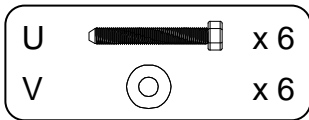


Fig. 8a

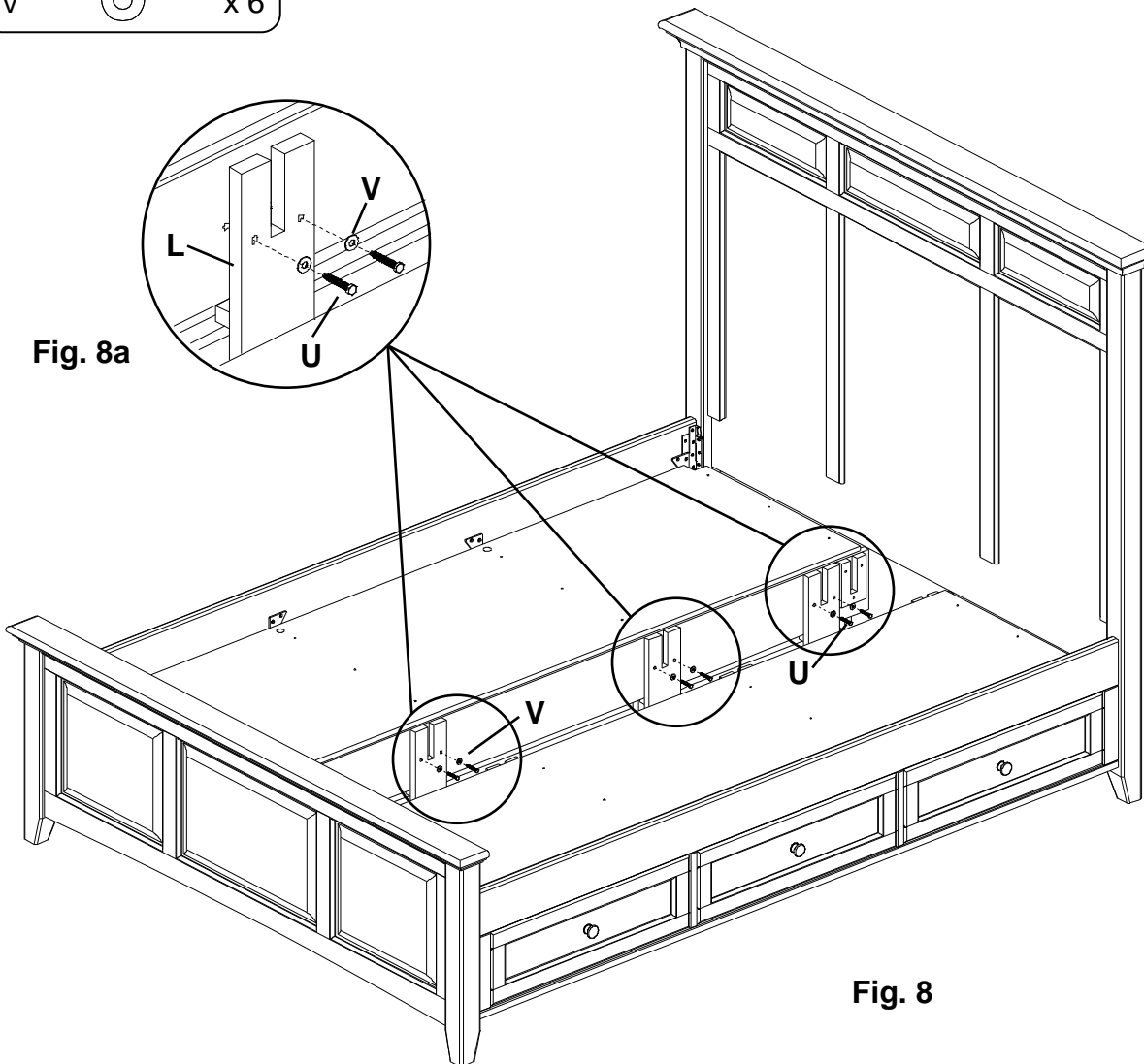


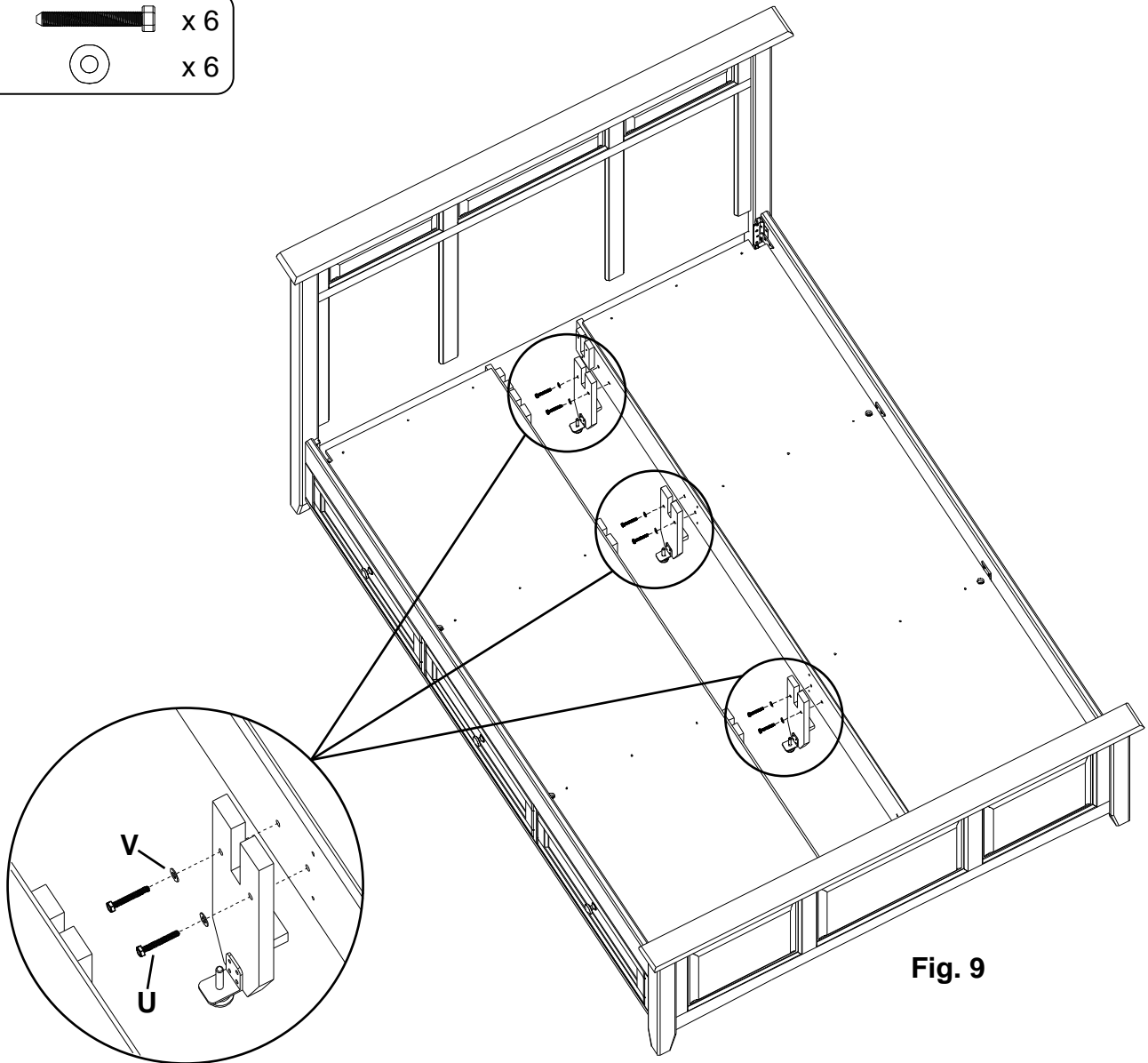
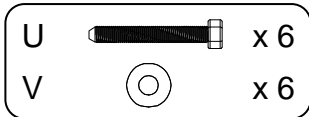
Fig. 8

**2322AFGAC; 2322AFCAF**  
**McKenzie Queen Mantel Storage Bed for Adjustable Bed Bases**  
**& 2325AFGACa; 2325AFCAFa**  
**McKenzie King Mantel Storage Bed for Adjustable Bed Bases**  
*Assembly Instructions*

This assembly requires two people.

9. Attach three additional Foot Assemblies (L) to the left Pedestal with 1/4" x 1-3/4" Hex Bolts (U) and 1/4" Flat Washers (V). See Figures 9 and 9a.

**IMPORTANT: Make sure the Glides touch the floor and carry weight.**



**Fig. 9a**

**Fig. 9**

**2322AFGAC; 2322AFCAF**  
**McKenzie Queen Mantel Storage Bed for Adjustable Bed Bases**  
**& 2325AFGACa; 2325AFCAFa**  
**McKenzie King Mantel Storage Bed for Adjustable Bed Bases**  
*Assembly Instructions*

This assembly requires two people.

10. Facing the Footboard, attach a 90° Bracket (W) to the Pedestal and the Footboard with four #6 x 1/2" Philtruss Screws (S). Repeat for the other side. See Figures 10 and 10a.

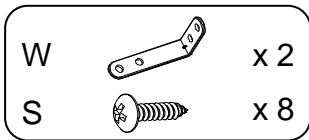


Fig. 10a

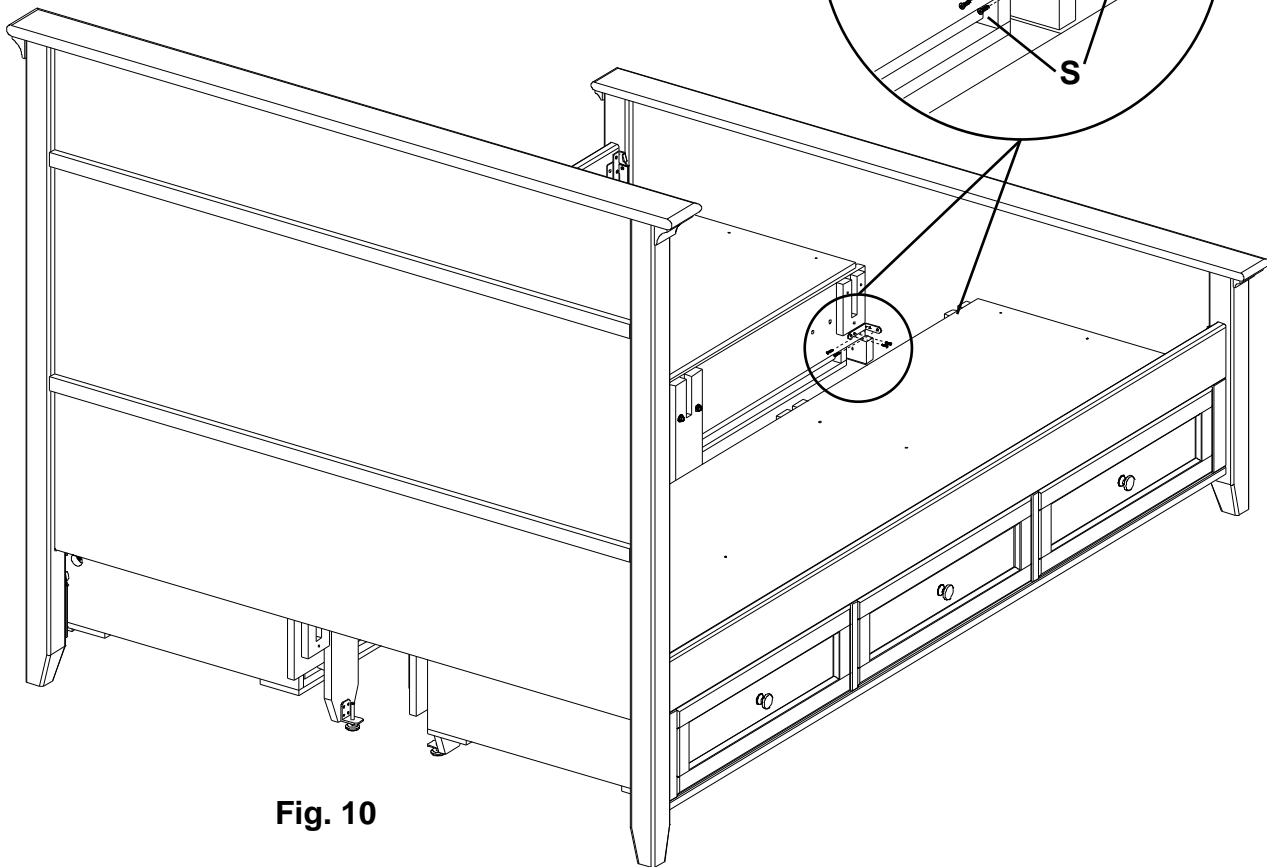
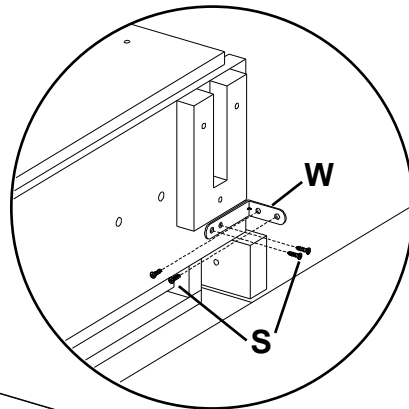


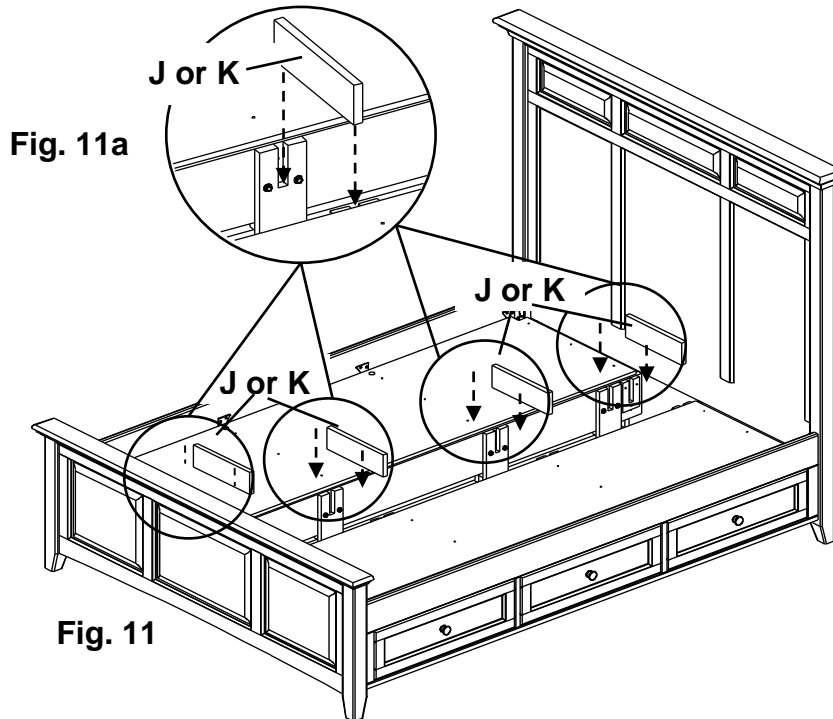
Fig. 10

**2322AFGAC; 2322AFCAF**  
**McKenzie Queen Mantel Storage Bed for Adjustable Bed Bases**  
**& 2325AFGACa; 2325AFCAFa**  
**McKenzie King Mantel Storage Bed for Adjustable Bed Bases**  
*Assembly Instructions*  
This assembly requires two people.

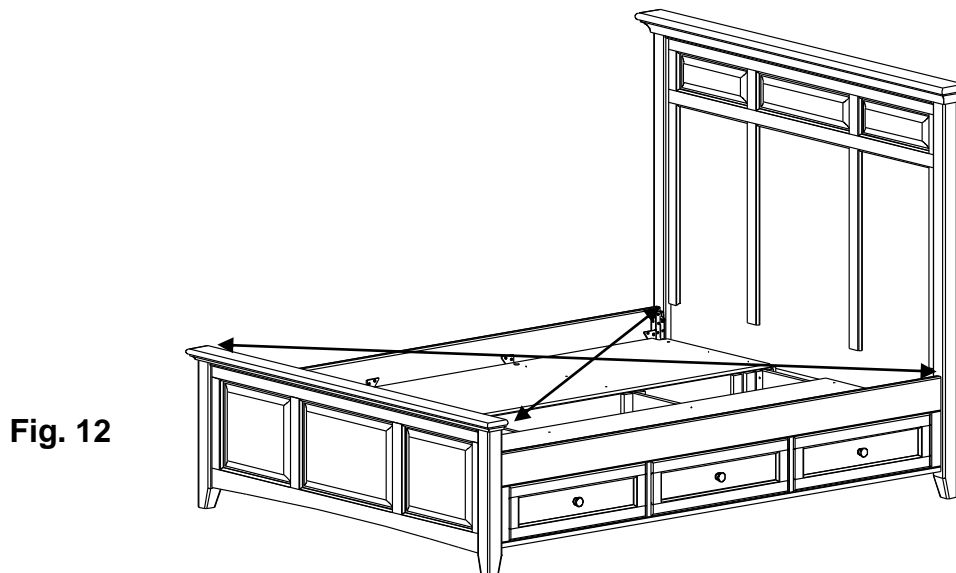
---

11. Place the four Queen Trestles (J) or King Trestles (K) into the bed assembly as shown in Figures 11 and 11a. Recycle/discard the Trestles for the size of bed not purchased.

**IMPORTANT:** the center two trestles nest into the notches at the top of the Foot Assemblies, the trestles at each end must nest into the notches in the cleats which are attached closer to the ends of the Pedestals.



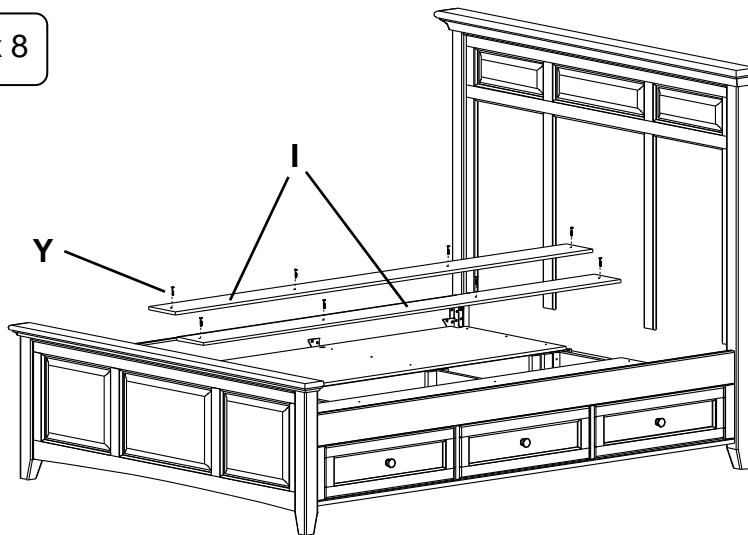
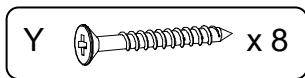
12. To make sure the bed is square, measure the distance between opposing corners. If one of the measurements is larger, tap on a footboard leg until the measurement is equal. See Figure 12.



**2322AFGAC; 2322AFCAF**  
**McKenzie Queen Mantel Storage Bed for Adjustable Bed Bases**  
**& 2325AFGACa; 2325AFCAF**  
**McKenzie King Mantel Storage Bed for Adjustable Bed Bases**  
*Assembly Instructions*

This assembly requires two people.

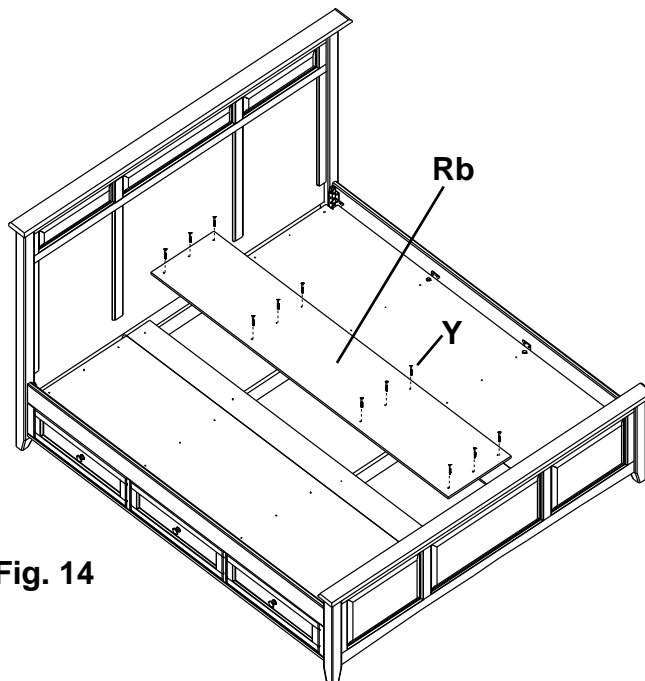
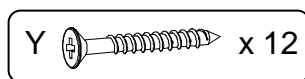
13. Place the Left/Right Center Deckboards (I) as shown in Figure 13 and secure with eight #8x1-1/4" Black Screws (Y). There should be a small gap between each deckboard.



**Fig. 13**

**Step 14 is for the McKenzie King Mantel Storage Bed for Adjustable Bed Bases (#2325)**

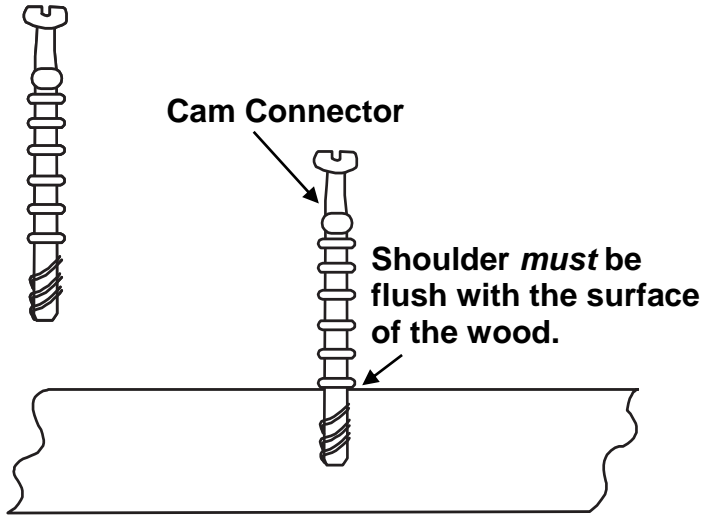
14. Place the Center Deckboard (Rb) as shown in Figure 14 and secure with twelve #8 x 1-1/4" Black Screws (Y). If you need to adjust the center feet, remove the Center Deckboard, adjust the glides and reattach the deckboard.



**Fig. 14**

# CAM - LOCK SYSTEM INSTRUCTIONS

**NOTE: To avoid scratching the surface of the wood, assemble the unit and place face-down on a clean, protected surface.**



**DO NOT embed the shoulder into the wood!**

1. Insert the Cam Housing so the arrow faces the Cam Connector. To achieve tension and holding power, you **MUST TURN** the Cam Housing clockwise at **LEAST 1/4 turn** to the 9:00 position. Turning the Cam Housing between 1/4 and 1/2 turn should be enough to ensure rigid tension. Tension should be initiated as soon as 10:00. You should receive optimum tightness at 11:00. IF this does not occur, tighten or loosen the Cam Connector to achieve proper tension.
2. **You may need extra tension if:**
  - A. The Cam Connector was screwed in deeper or not as deep as it should.
  - B. If the furniture is repeatedly assembled and disassembled.
  - C. If you place a heavy load in the unit.

**To achieve extra tension, tighten the Cam Connector between the 11:00 and 12:00 positions.**

