

Model #

# 1500b

## Beveled Mirror

GAC = Glazed Antique Cherry finish

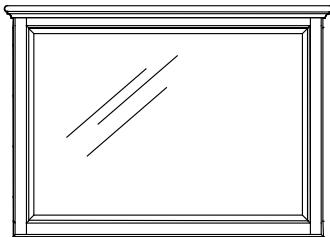
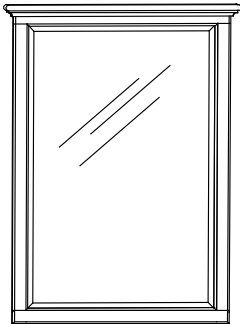
JAV = Java finish

FST = Fieldstone finish

PEC = Pecan finish

SN = Snowbound finish

*Assembly Instructions*



*Thank you for allowing us to help you furnish your home. We are certain you will be delighted with your new furniture for many years to come.*

### IMPORTANT NOTES:

- For normal household use only. *Not* recommended for commercial use.



- Handle the mirror with care. Glass is fragile.

### WARNING

Drilling, sawing, sanding or machining wood products can expose you to wood dust, a substance known to the state of California to cause cancer. Avoid inhaling wood dust or use a dust mask or other safeguards for personal protection.

For more information go to: [www.p65warnings.ca.gov/wood](http://www.p65warnings.ca.gov/wood)

This product can expose you to chemicals, including formaldehyde, which are known to the State of California to cause cancer.

For more information go to: [www.p65warnings.ca.gov/furniture](http://www.p65warnings.ca.gov/furniture)

**DESIGN SUBJECT TO CHANGE WITHOUT NOTICE.**

### CUSTOMER SERVICE

If you ever have questions about your furniture, please do not hesitate to contact us. In the unlikely event you need a replacement part; we can make those parts available through an authorized Whittier Wood Furniture dealer. If you cannot order replacement parts through your dealer, please contact our customer service department.

**Hours:** Our friendly customer service staff can be reached:

**Monday-Friday 8:00 a.m. to 5:00 p.m. (Pacific Time).**

You may leave a message 24 hours a day, seven days a week.

**Customer Service: 800-653-3336 • Outside the U.S.: 541-687-0213**

**Fax: 541-687-2060 • Email: [info@whittierwood.com](mailto:info@whittierwood.com)**

**Whittier  
Wood**  
FURNITURE

P.O. Box 2827  
Eugene, OR 97402 USA

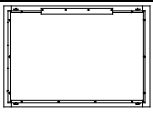
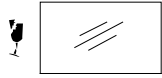

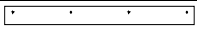



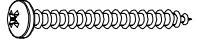




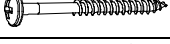

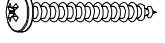
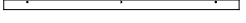
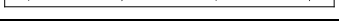

Production Code :

VN

10//23

## 1500b Beveled Mirror Parts List

Please identify the parts and check that quantities received match those on this list.  
If you need to replace a part, refer to the following letter and part name.

Part	Description		Quantity
Ab	Mirror Assembly		1
B	Mirror		1
Cb	Mirror Frame (attached)		1
D	Mirror Frame Bracket (attached)		1
F	Short Top		1
G	Long Top		1
H	Mirror Wall Bracket		1
I	#8 x 1-3/4" Pan Head Screw		2
K	#8 x 1-1/4" Black Screw		4
L	#6 x 3/4" Flat Head Screw (inserted)		4
N	Mirror Support		2
O	M4 x 41 mm Machine Screw		4
P	#7 x 1-1/2" Black Pan Head Screw		4
Q	Velvet Pad 50 x 50mm		3
R	#8 x 1-1/4" Pan Head Screw (inserted)		4
S	Short Mirror Retainer (attached)		2
T	Long Mirror Retainer (attached)		2
V	#5 x 5/8" Flat Head Screw (inserted)		14

# 1500b Beveled Mirror

## Assembly Instructions

**Tools Required:** Phillips Screwdriver, Tape Measure, Pencil

**You have the option of attaching your Mirror to the wall or to selected McKenzie Dressers. To attach your Mirror to the wall, follow steps 1 – 5. To attach the Mirror to a McKenzie Dresser, follow steps 6– 12.**

1. Decide if you want your Beveled Mirror to hang either vertically or horizontally. If you want it to hang vertically, remove the Mirror Frame Bracket (D) and line it up to the predrilled holes on the short side of the Mirror Frame (Cb) as in Figure 1. Attach with four #6 x 3/4" Flat Head Screws (L).

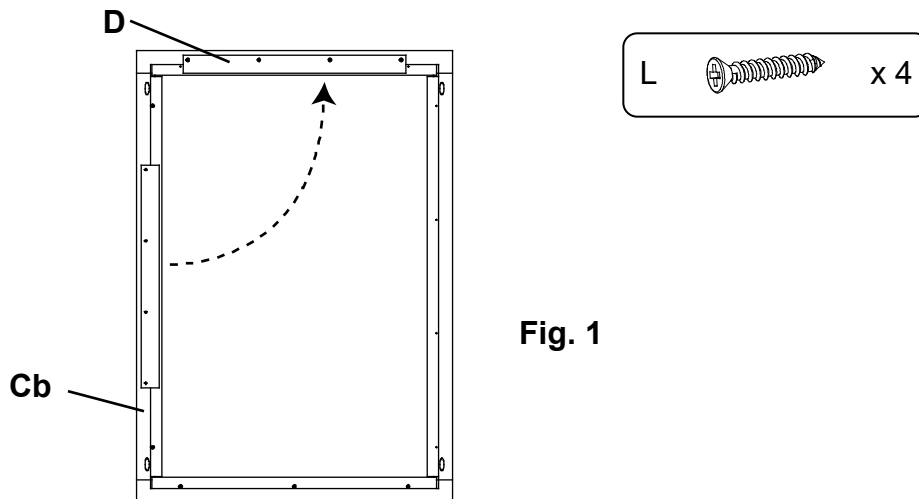


Fig. 1

2. If you want a top on the mirror, attach the Short Top (F) or the Long Top (G) to the Mirror Frame (Cb) with four #8 x 1-1/4" Black Screws (K) as shown in Figure 2.

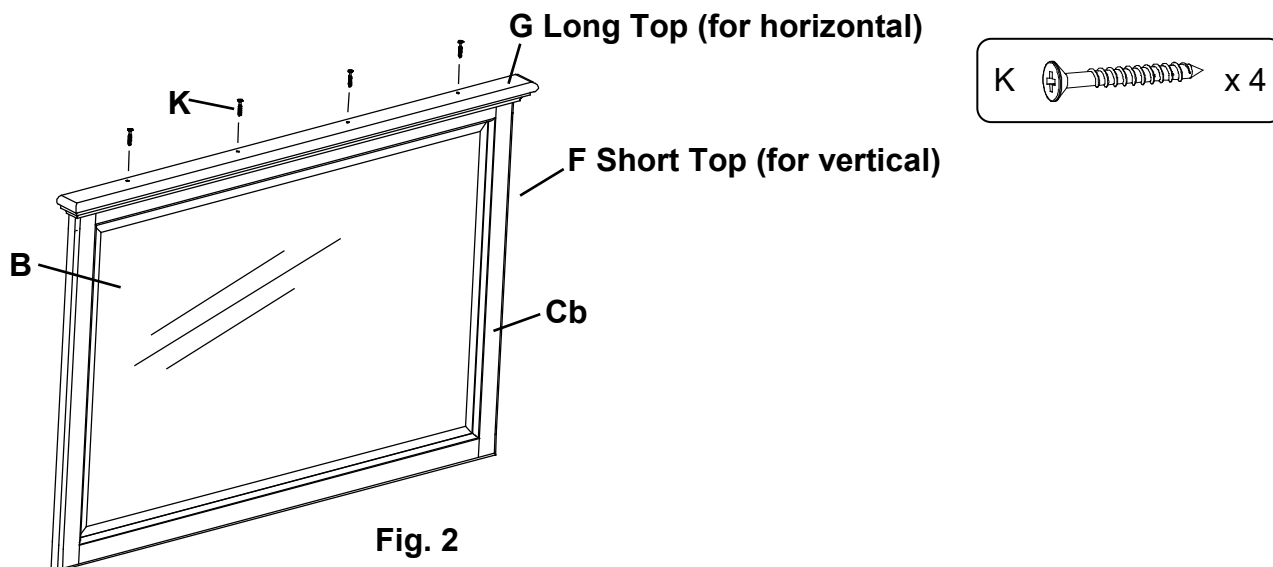
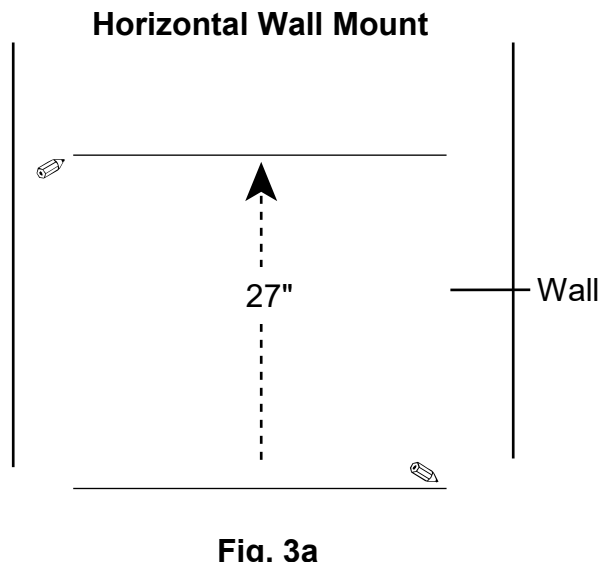
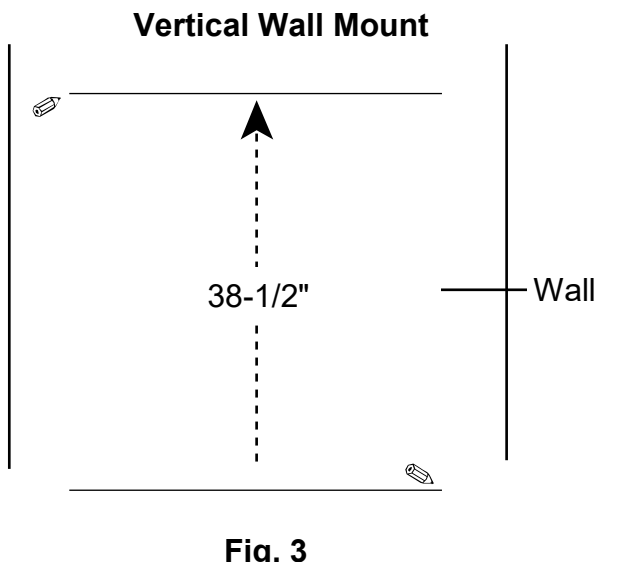


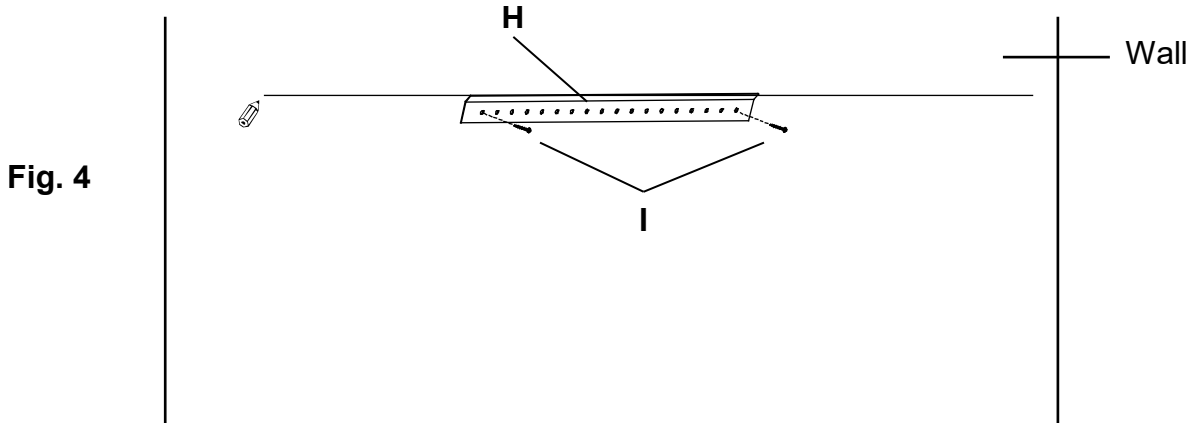
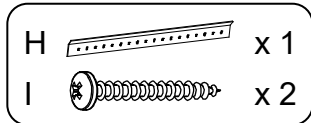
Fig. 2

# 1500b Beveled Mirror Assembly Instructions

3. Determine where you want the bottom of your mirror to end and draw a faint pencil line on the wall. For a vertical placement, use a tape measure and measure up 38-1/2" from that mark. Draw a faint line. For a horizontal placement, measure up 27". Draw a faint line. The top line is where you attach the Mirror Wall Bracket (H). If you like, you can erase the faint bottom pencil mark. See Figures 3 and 3a.



4. Locate two studs in the wall behind the space where you want to hang your Beveled Mirror. Affix the Mirror Wall Bracket (H) into the studs with two #8 x 1-3/4" Pan Head Screws (I). If you cannot locate two studs, purchase the proper wall attachment hardware for your type of wall and secure the bracket. See Figure 4.



# 1500b Beveled Mirror Assembly Instructions

5. NOTE: The Mirror Wall Bracket (H) angles out at the top. When you hang your Beveled Mirror, the Mirror Frame Bracket (D) fits over the angled part of the Mirror Wall Bracket (H). See Figure 5.

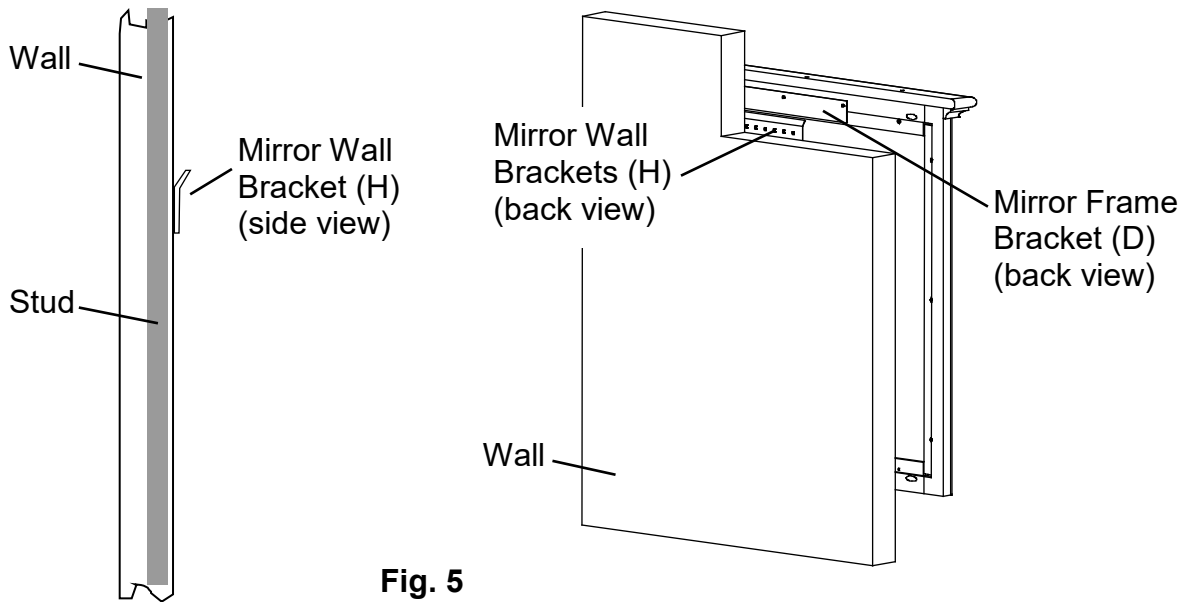


Fig. 5

6. To attach the Mirror to a McKenzie Dresser, remove the Mirror Frame Bracket (D) that is attached to the Mirror Frame (Cb) as shown in Figure 6. Keep this bracket along with the Mirror Wall Bracket (H) and the four #6 x 3/4" Flat Head Screws (L) in the chance that in the future, you will want to mount the Mirror to the wall.

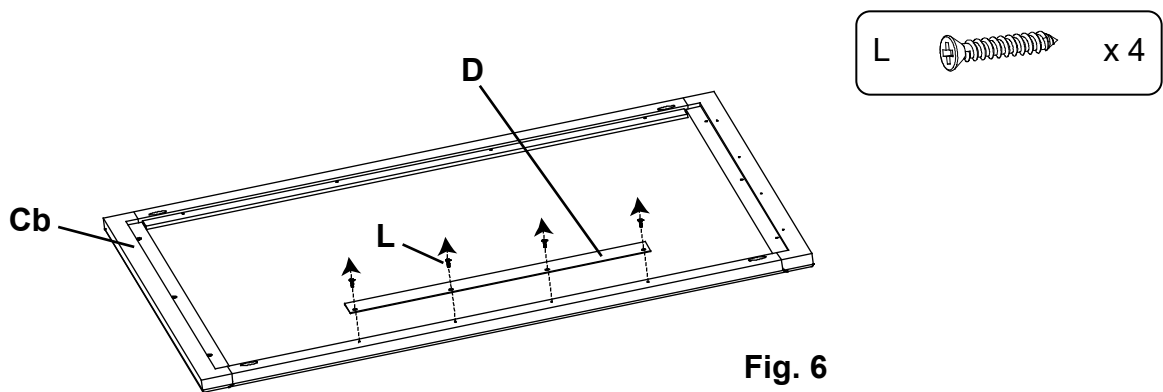
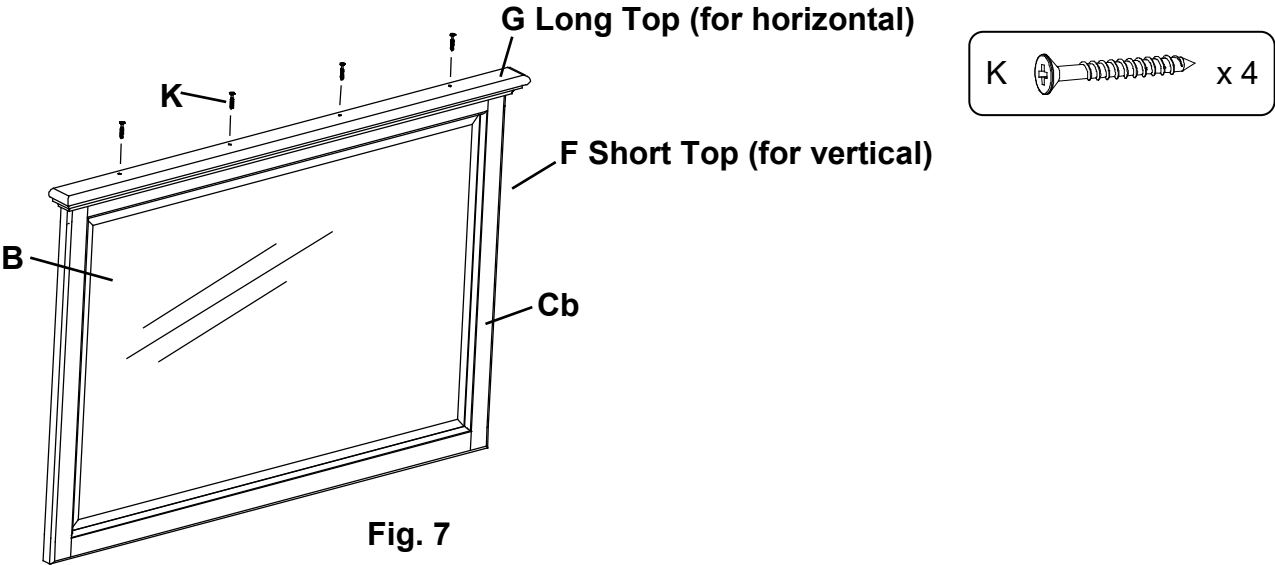


Fig. 6

**1500b Beveled Mirror**  
*Assembly Instructions*

---

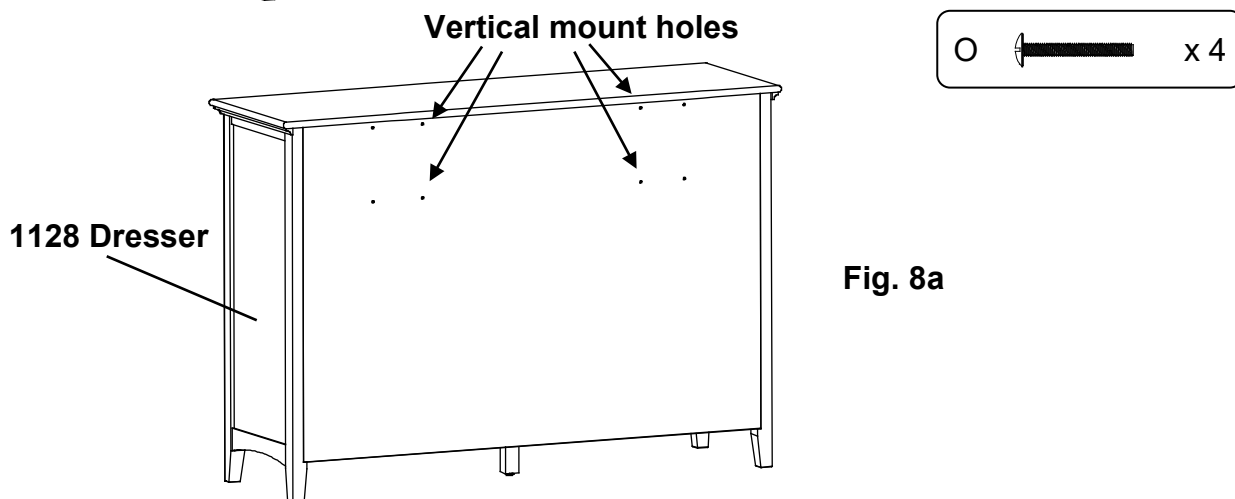
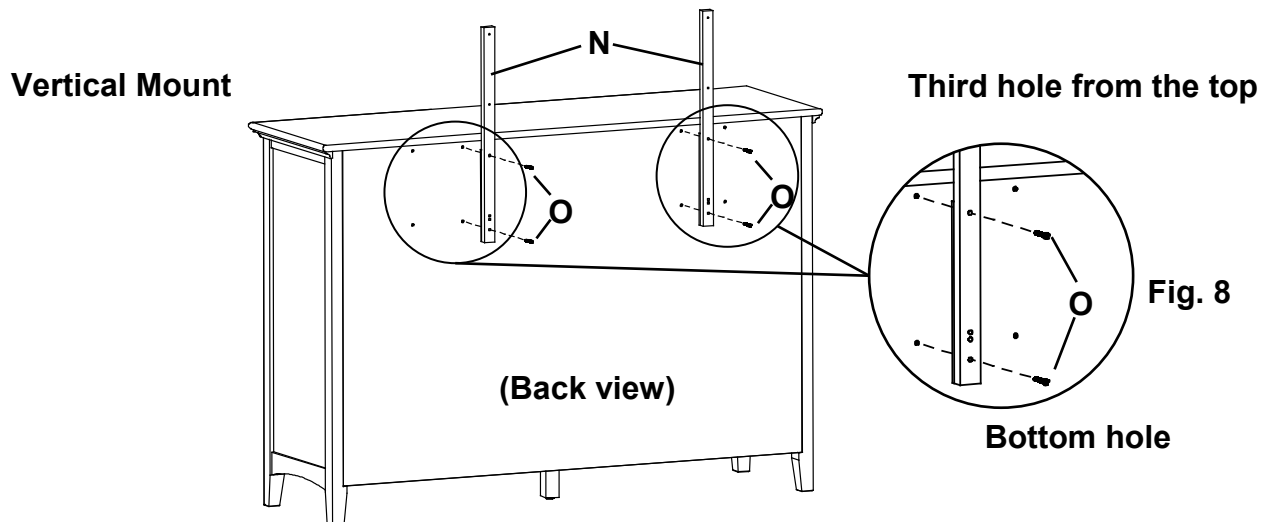
7. If you wish to attach a Top, attach the Short Top (F) or the Long Top (G) to the Mirror Frame (Cb) with four #8x1-1/4" Black Screws (K) as shown in Figure 7.



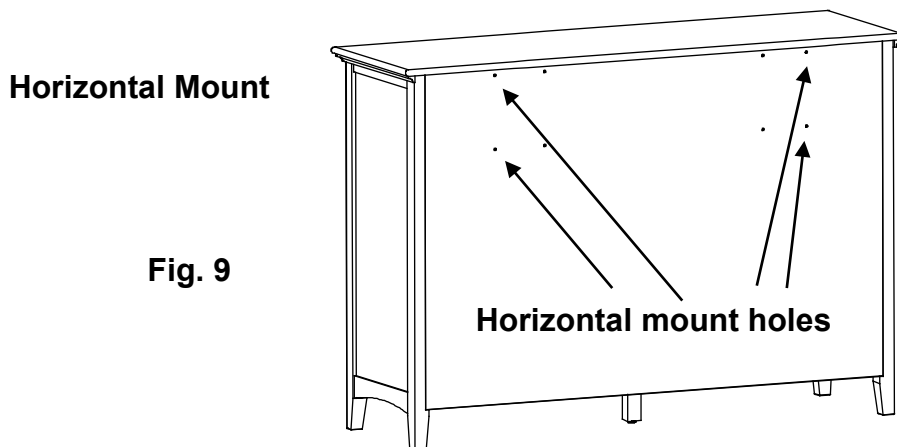
*Continued on Page 7*

# 1500b Beveled Mirror Assembly Instructions

8. To attach the Mirror vertically to the Dresser, use the predrilled holes in the back of the dresser and the predrilled holes noted as vertical mount holes in Figure 8a as guides. To attach the Mirror Supports (N), insert Machine Screws (O) into the third hole from the top and the bottom hole in each Mirror Support (N) and into the proper holes in the Back. See Figures 8 and 8a.

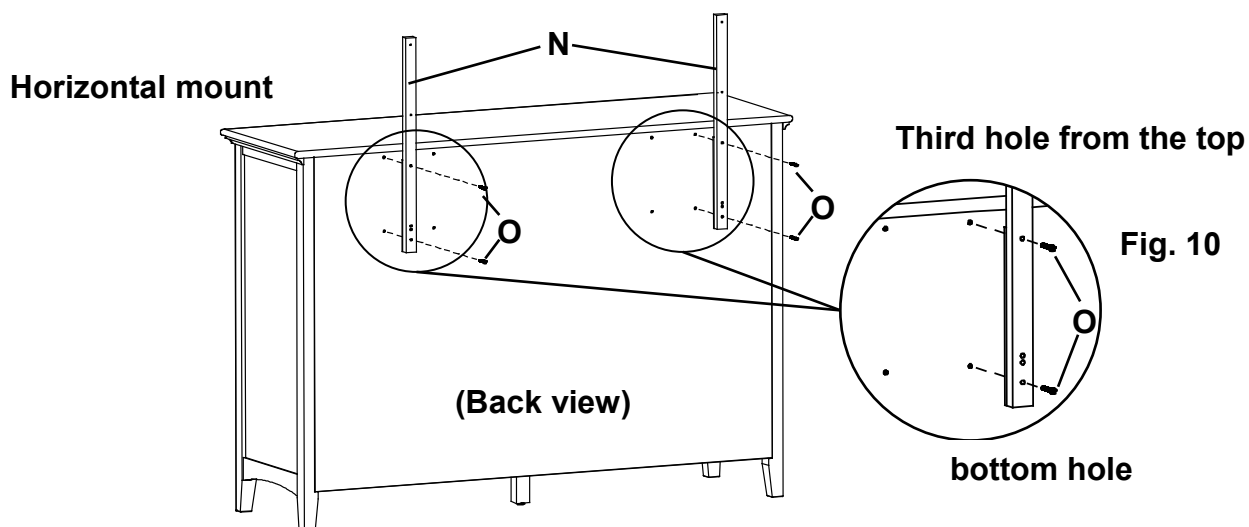


9. To attach the Mirror horizontally to the Dresser, use the predrilled holes in the back as noted in Figure 9.



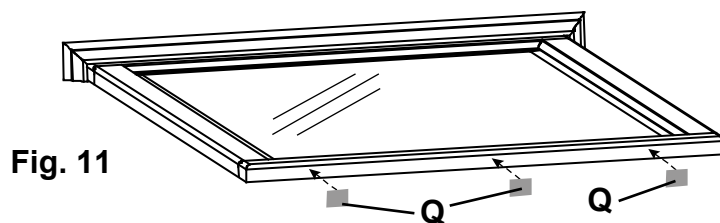
# 1500b Beveled Mirror Assembly Instructions

10. Attach the Mirror Supports by inserting Machine Screws (O) into the third hole from the top and the bottom hole of the Mirror Support and into the back. See Figure 10.

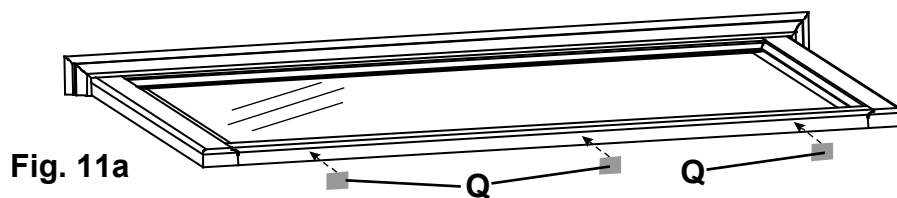


11. Peel off the backings on the Velvet Pads (Q) and apply them to the bottom of the Mirror Assembly (Ab). See Figures 11 and 11a.

## Vertical Mirror



## Horizontal Mirror

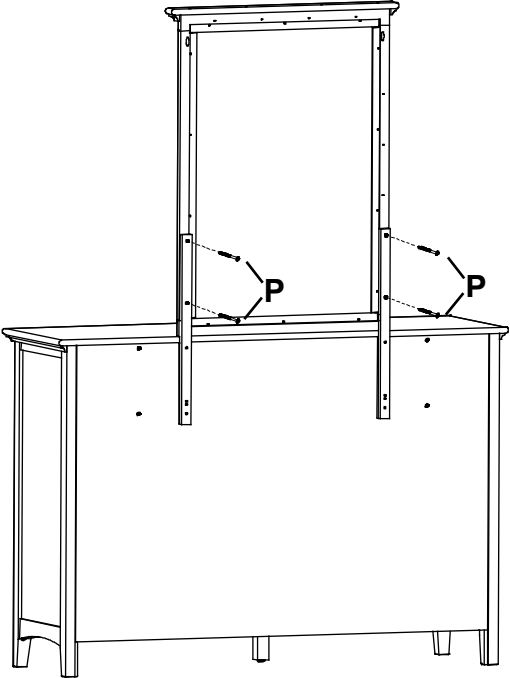
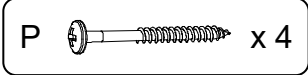




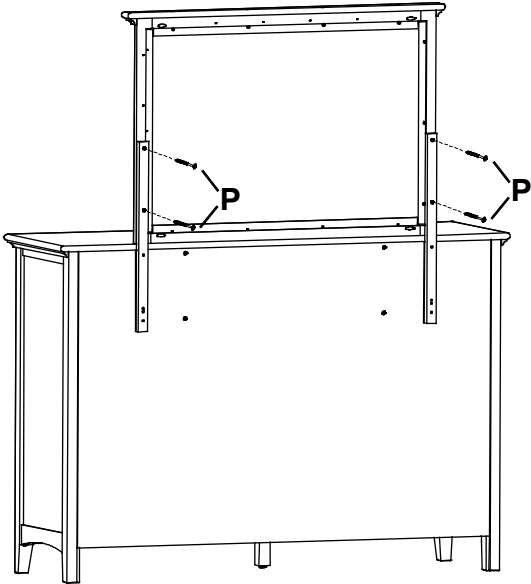
**1500b Beveled Mirror**  
*Assembly Instructions*

---

12. Place the Mirror on top of the Dresser and attach it to the Mirror Supports (N) with four #7 x 1-1/2" Black Pan Head Screws (P). See Figures 12 and 12a.



**Fig. 12**  
**Vertical Mirror**



**Fig. 12a**  
**Horizontal Mirror**