

McKenzie Classic Bookcase Beds

GAC = Glazed Antique Cherry finish

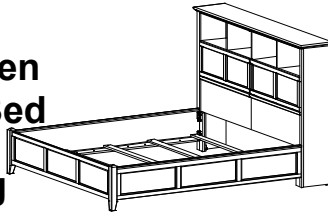
JAV = Java finish

FST = Fieldstone finish

PEC = Pecan finish

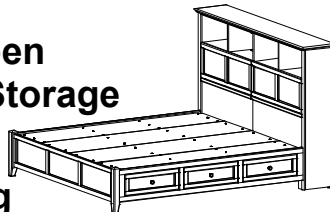
Model #

**2843 McKenzie Queen
Classic Bookcase Bed**



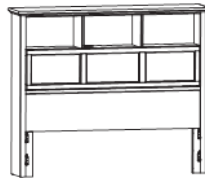
**2845 McKenzie King
Classic Bookcase Bed**

**2850 McKenzie Queen
Classic Bookcase Storage
Bed**

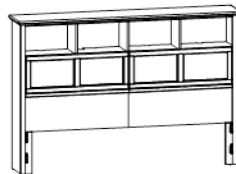


**2851 McKenzie King
Classic Bookcase Storage
Bed**

**2844 McKenzie Queen
Classic Bookcase
Headboard**



**2846 McKenzie King
Classic Bookcase
Headboard**



Thank you for allowing us to help you furnish your home. We are certain you will be delighted with your new furniture for many years to come.

IMPORTANT NOTES:

- For normal household use only. *Not* recommended for commercial use.
- Remove items before you move this unit.
- Do not overload the drawers.
- This assembly requires two people.

WARNING

Drilling, sawing, sanding or machining wood products can expose you to wood dust, a substance known to the state of California to cause cancer. Avoid inhaling wood dust or use a dust mask or other safeguards for personal protection.

For more information go to: www.p65warnings.ca.gov/wood

This product can expose you to chemicals, including formaldehyde, which are known to the State of California to cause cancer.

For more information go to: www.p65warnings.ca.gov/furniture

Dual Port USB Charger: CAUTION: Changes or modifications not approved by the party responsible for compliance could void user's authority to operate the equipment.

NOTE: This equipment has been tested and found to comply with the limits for a Class B digital device, pursuant to part 15 of the FCC Rules. These limits are designed to provide reasonable protection against harmful interference in a residential installation. This equipment generates, uses and can radiate radio frequency energy and, if not installed and used in accordance with the instructions, may cause harmful interference to radio communications. However, there is no guarantee that interference will not occur in a particular installation. If this equipment does cause harmful interference to radio or television reception, which can be determined by turning the equipment off and on, the use is encouraged to try to correct the interference by one or more of the following measures:

- Reorient or relocate the receiving antenna.
- Increase the separation between the equipment and receiver
- Connect the equipment into an outlet on a circuit different from that to which the receiver is connected.

Consult the dealer or an experienced radio/TV technician for help.

DESIGN SUBJECT TO CHANGE WITHOUT NOTICE.

- Storage Bed Instructions pgs 7-16 and pgs 20-23
- Rail Bed Instructions pgs 17-23
- Bookcase Headboard Instructions pg 24

CUSTOMER SERVICE

If you ever have questions about your furniture, please do not hesitate to contact us. In the unlikely event you need a replacement part; we can make those parts available through an authorized Whittier Wood Furniture dealer. If you cannot order replacement parts through your dealer, please contact our customer service department.

Hours: Our friendly customer service staff can be reached:

Monday-Friday 8:00 a.m. to 5:00 p.m. (Pacific Time).

You may leave a message 24 hours a day, seven days a week.

Customer Service: 800-653-3336 • Outside the U.S.: 541-687-0213

Fax: 541-687-2060 • Email: info@whittierwood.com



P.O. Box 2827
Eugene, OR 97402 USA

Production Code:

VN

10/23

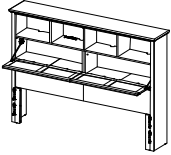



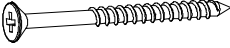








**2843 McKenzie Queen Classic Bookcase Bed; 2845 McKenzie King Classic Bookcase Bed;
2850 McKenzie Queen Classic Bookcase Storage Bed; 2851 McKenzie King Classic Bookcase
Storage Bed; 2844 McKenzie Queen Classic Bookcase Headboard; 2846 McKenzie King
Classic Bookcase Headboard**

Parts List

Please note this Assembly Instruction is for McKenzie Classic Bookcase Beds (#2843 Queen and #2845 King), McKenzie Classic Bookcase Storage Beds (#2850 Queen and #2851 King) and McKenzie Classic Bookcase Headboards (#2844 Queen and #2846 King). The Parts Lists for each component follow.



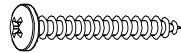
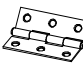






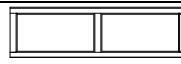
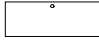



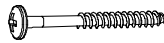



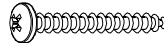
Please identify the parts and check that quantities received match those on this list. If you need to replace a part, refer to the finish name, following letter and part name.

**2844 McKenzie Queen Classic Bookcase
Headboard Kit (x1)
2846 McKenzie King Classic Bookcase
Headboard Kit (x1)**

Part	Description	Quantity	
		2844GAC 2844JAV 2844FST 2844PEC	2846GAC 2846JAV 2846FST 2846PEC
A	Headboard Assembly 	1	1
Q	#6 x 3/4" Philtruss Screw (inserted) 	2	4
T	#8 x 1-1/4" Black Screw (inserted) 	8	12
W	#8 x 1" Black Screw (inserted) 	12	12
YA	#8 x 2-1/4" Black Screw (inserted) 	6	6
YB	Hinge (installed) 	3 (GAC)	6 (GAC)
YC	#8 Washer (inserted) 	0	1
YD	A/C Dual Port USB (installed) 	1	1
YE	Wire Clip Screw (attached) 	6	8
YF	Wood Dowel (inserted) 	0	2
YG	Tuscan Magnetic Lock & Plate (pre-installed sets) 	2	4
YH	Corner Brace (attached) 	2	2
YI	Large Adjustable Glide (installed) 	2	2

**2843 McKenzie Queen Classic Bookcase Bed; 2845 McKenzie King Classic Bookcase Bed;
2850 McKenzie Queen Classic Bookcase Storage Bed; 2851 McKenzie King Classic Bookcase
Storage Bed; 2844 McKenzie Queen Classic Bookcase Headboard; 2846 McKenzie King
Classic Bookcase Headboard**

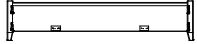




Parts List

Part	Description	Quantity	
		2844GAC 2844JAV 2844FST 2844PEC	2846GAC 2846JAV 2846FST 2846PEC
YJ	Tack Glide (attached) 	4	4
YK	Door Stay (attached) 	1	2
YL	#14 x 1-1/4" Pan Head Screw 	6	6
YM	Antique Pewter Hinge (installed) 	3 (JAV) 3 (FST) 3 (PEC)	6 (JAV) 6 (FST) 6 (PEC)
ZA	18mm Washer 	6	12 (6 inserted)
ZB	1/4" T-Nut (inserted) 	0	6
ZC	1/4" x 1-1/2" Hex Bolt (inserted) 	0	6
ZE	Small Left Bed Bracket (attached) 	2	2
ZF	Small Right Bed Bracket (attached) 	2	2
ZO	Top Assembly (attached) 	1	1
ZP	Assembled Door (attached) 	1	2
ZQ	Adjustable Shelf 	3	4
ZR	Door Stay Spacer (attached) 	1	2
ZS	#6 x 5/8" Undercut Screw AB (inserted) 	24 (GAC) 6 (JAV) 6 (FST) 6 (PEC)	46 (GAC) 10 (JAV) 10 (FST) 10 (PEC)
ZT	#6 x 5/8" Undercut Screw ZN (inserted) 	2 (GAC) 20 (JAV) 20 (FST) 20 (PEC)	4 (GAC) 40 (JAV) 40 (FST) 40 (PEC)
ZU	#6 x 1-1/4" Black Pan Head Screw (inserted) 	2	4
ZV	#6 x 5/8" Philtruss Screw (inserted) 	12	19
ZW	#8 x 5/8" Pan Head Screw (inserted) 	8	8
ZX	#8 x 1-3/8" Lo-Profile Screw (inserted) 	8	14
ZY	#8 x 1-1/4" Pan Head Screw (inserted) 	9	0



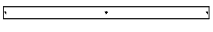
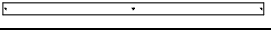


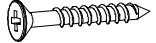

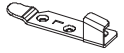
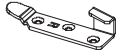
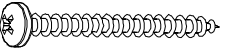
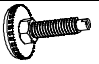


**2843 McKenzie Queen Classic Bookcase Bed; 2845 McKenzie King Classic Bookcase Bed;
2850 McKenzie Queen Classic Bookcase Storage Bed; 2851 McKenzie King Classic Bookcase
Storage Bed; 2844 McKenzie Queen Classic Bookcase Headboard; 2846 McKenzie King
Classic Bookcase Headboard**

Parts List

**2807 McKenzie Queen Classic Footboard Kit (x1)
2811 McKenzie King Classic Footboard Kit (x1)**

Part	Description		Quantity
B	Footboard Assembly		1
U	#8 x 1-5/8" Black Screw (inserted)		4
W	#8 x 1" Black Screw (inserted)		12
ZE	Small Left Bed Bracket (attached)		2
ZF	Small Right Bed Bracket (attached)		2

**2808 McKenzie Queen Rail Kit (x1)
2812 McKenzie King Rail Kit (x1)**

Part	Description		Quantity	
			2808GAC 2808JAV 2808FST 2808PEC	2812GAC 2812JAV 2812FST 2812PEC
C	Side Rail		2	2
D	Assembled Foot		4	4
E	Queen Slat (60-5/8")		5	0
F	King Slat (76-1/2")		0	5
G	Footboard Support Assembly		2	2
T	#8 x 1-1/4" Black Screw		10	10
W	#8 x 1" Black Screw (inserted)		24	24
ZB	1/4" T-Nut (inserted)		5	5
ZE	Small Left Bed Bracket (attached)		4	4
ZF	Small Right Bed Bracket (attached)		4	4
ZK	#10 x 2" Pan Head Screw		26 (22 inserted)	26 (22 inserted)
ZL	Adjustable Glide with Hex Nut (installed)		4	4
ZM	5/16" x 3/4" Insert Nut (inserted)		4	4
ZN	1/4" x 45mm Hanger Bolt (inserted)		4	4


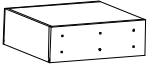

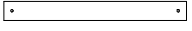
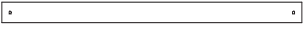


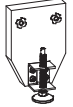
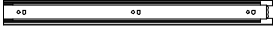
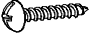




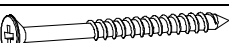
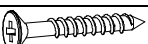



**2843 McKenzie Queen Classic Bookcase Bed; 2845 McKenzie King Classic Bookcase Bed;
2850 McKenzie Queen Classic Bookcase Storage Bed; 2851 McKenzie King Classic Bookcase
Storage Bed; 2844 McKenzie Queen Classic Bookcase Headboard; 2846 McKenzie King
Classic Bookcase Headboard**

Parts List

**2843 McKenzie Queen Classic Bookcase Bed; 2845 McKenzie King Classic Bookcase Bed;
2850 McKenzie Queen Classic Bookcase Storage Bed; 2851 McKenzie King Classic Bookcase
Storage Bed; 2844 McKenzie Queen Classic Bookcase Headboard; 2846 McKenzie King
Classic Bookcase Headboard**


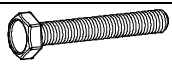
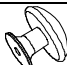
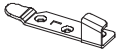
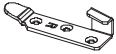


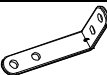
Parts List

**2820 McKenzie Queen Pedestal Kit (x2)
2822 McKenzie King Pedestal Kit (x2)**

Part	Description	Quantity	
		2820GAC 2820JAV 2820FST 2820PEC	2822GAC 2822JAV 2822FST 2822PEC
H	Pedestal 	1	1
I	Drawer Box (assembled) 	3	3
J	Drawer Face (attached) 	3	3
K	Queen Trestle With T-Nuts (24-3/8") 	2	0
L	King Trestle With T-Nuts (40-1/2") 	0	2
M	Notched Deckboard (attached) 	1	1
N	Left/Right Center Deckboard 	1	1
O	Assembled Foot 	3	3
P	20" Drawer Slides (installed) 	3 sets	3 sets
Q	#6 x 3/4" Philtruss Screw (inserted) 	18	18
R	#6 x 1/2" Philtruss Screw 	22 (18 inserted)	22 (18 inserted)
S	#8 x 7/8" Black Lo-Profile Screw (inserted) 	18	18
T	#8 x 1-1/4" Black Screw 	16 (8 inserted)	16 (8 inserted)
U	#8 x 1-5/8" Black Screw (inserted) 	16	16
V	#8 x 2" Black Screw (inserted) 	12	12
W	#8 x 1" Black Screw (inserted) 	32	32
X	#8 x 1-1/2" Machine Screw Tuscan (installed) 	3	3
Y	#10 x 3/4" Pan Head Screw (inserted) 	12	12
ZA	18mm Flat Washer 	10	10

**2843 McKenzie Queen Classic Bookcase Bed; 2845 McKenzie King Classic Bookcase Bed;
 2850 McKenzie Queen Classic Bookcase Storage Bed; 2851 McKenzie King Classic Bookcase
 Storage Bed; 2844 McKenzie Queen Classic Bookcase Headboard; 2846 McKenzie King
 Classic Bookcase Headboard**

Parts List

Part	Description	Quantity	
		2820GAC 2820JAV 2820FST 2820PEC	2822GAC 2822JAV 2822FST 2822PEC
ZB	1/4" T-Nut (inserted) 	10	10
ZC	1/4" x 1-1/2" Hex Bolt 	10	10
ZD	Knob (attached) 	3	3
ZE	Small Left Bed Bracket (attached) 	2	2
ZF	Small Right Bed Bracket (attached) 	2	2
ZG	Foot Bracket (attached) 	3	3
ZH	Adjustable Glide (installed) 	3	3
ZI	90° Bracket 	1	1

**2843 McKenzie Queen Classic Bookcase Bed; 2845 McKenzie King Classic Bookcase Bed;
2850 McKenzie Queen Classic Bookcase Storage Bed; 2851 McKenzie King Classic Bookcase
Storage Bed; 2844 McKenzie Queen Classic Bookcase Headboard; 2846 McKenzie King
Classic Bookcase Headboard**

Assembly Instructions

This assembly requires two people.

Tools Required: Drill, Slotted Screwdriver, Phillips screwdriver, 1/2" open end or box end wrench.

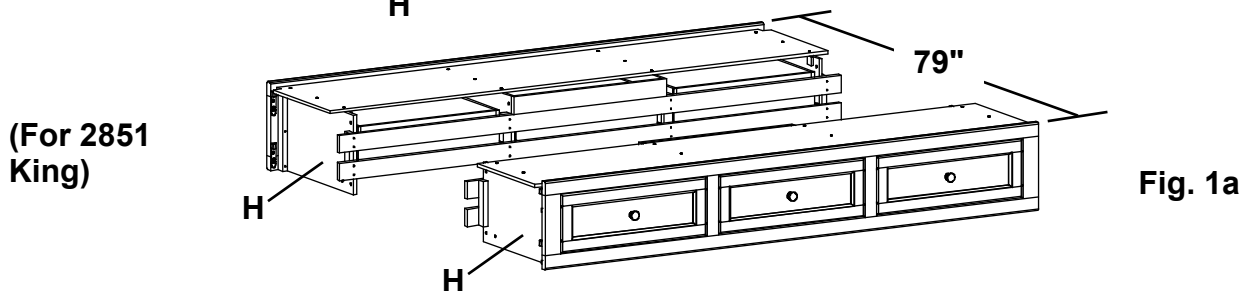
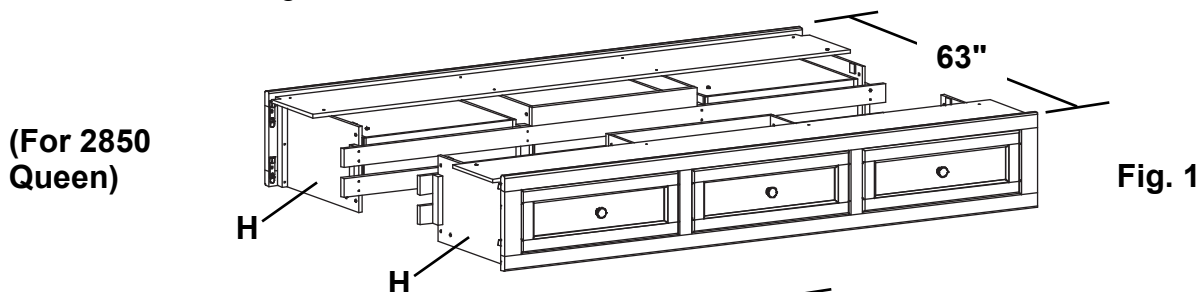
Notes:

Steps 1 through 12 and steps 20 through 26 are for the McKenzie Queen Classic Bookcase Storage Bed (#2850) and McKenzie King Classic Bookcase Storage Bed (#2851).

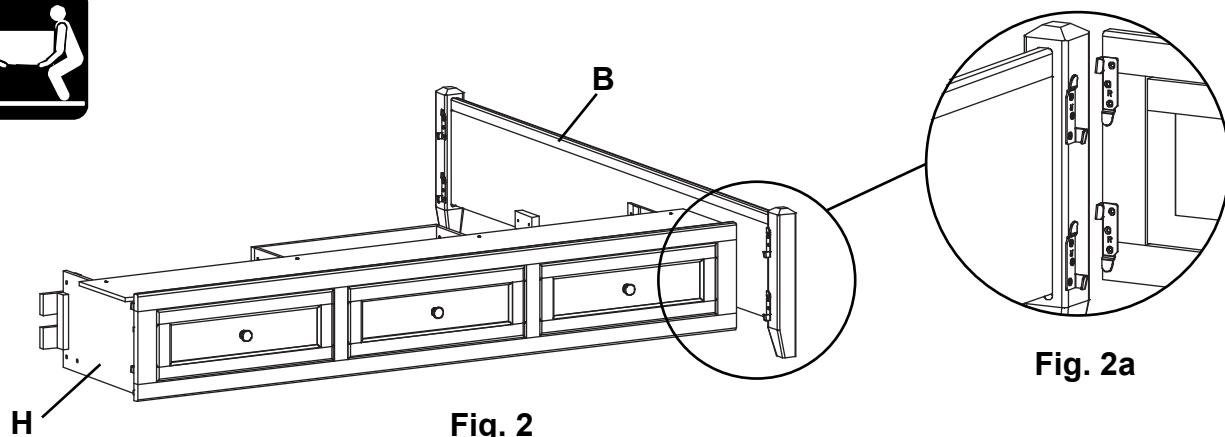
Steps 13 through 26 are for the McKenzie Queen Classic Bookcase Bed (#2843) and McKenzie King Classic Bookcase Bed (#2845).

Steps 27 through 30 are for the McKenzie Queen Classic Bookcase Headboard (#2844) and McKenzie King Classic Bookcase Headboard (#2846).

1. Place both Pedestals (H) approximately 63" apart for #2850 Queen Bed, or 79" apart for #2851 King Bed as shown in Figures 2 and 2a.



2. To attach the Footboard (B) to the Pedestal (H), align the Brackets and slide the Pedestal down on to the Footboard (B). See Figures 2 and 2a.



**2843 McKenzie Queen Classic Bookcase Bed; 2845 McKenzie King Classic Bookcase Bed;
2850 McKenzie Queen Classic Bookcase Storage Bed; 2851 McKenzie King Classic Bookcase
Storage Bed; 2844 McKenzie Queen Classic Bookcase Headboard; 2846 McKenzie King
Classic Bookcase Headboard**
Assembly Instructions

This assembly requires two people.

3. Repeat step three for the left side. See Figures 3 and 3a.

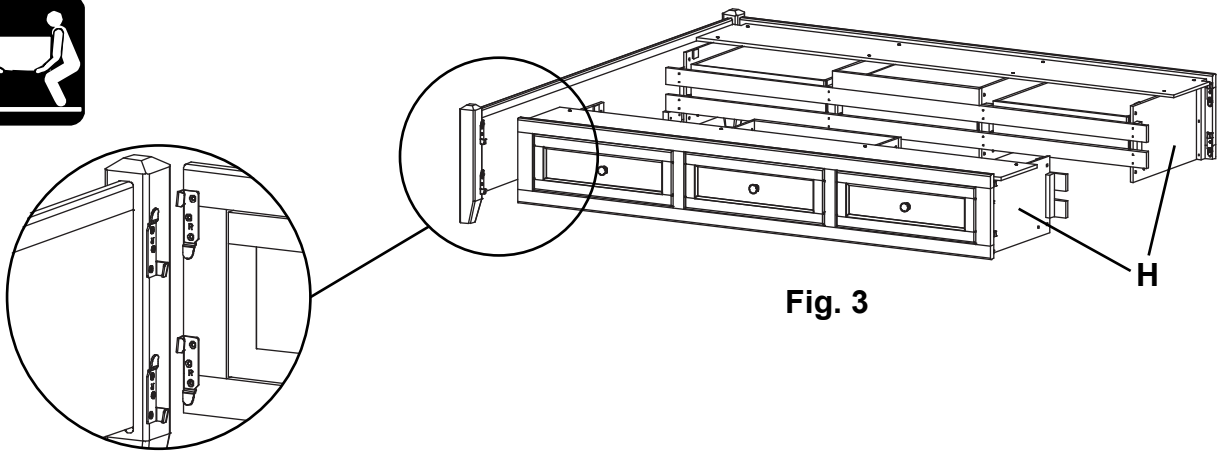


Fig. 3

Fig. 3a

4. Align the Brackets on both sides and slide the Pedestal/Footboard assembly down on to the Headboard (A). See Figure 4.

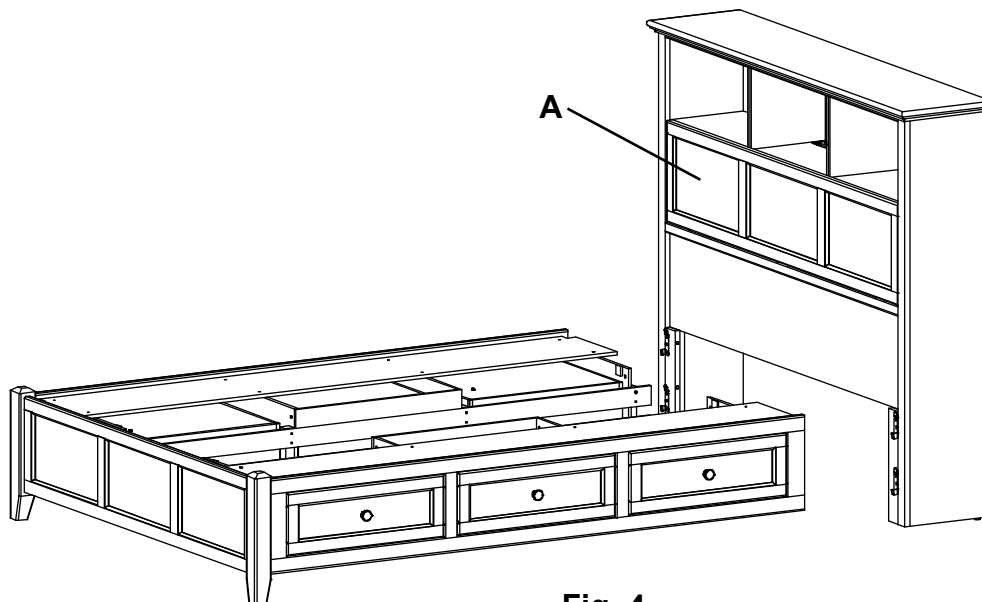
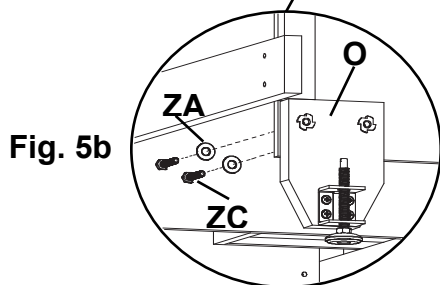
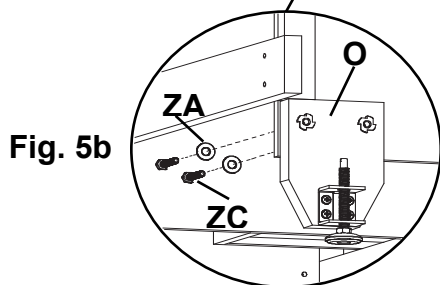
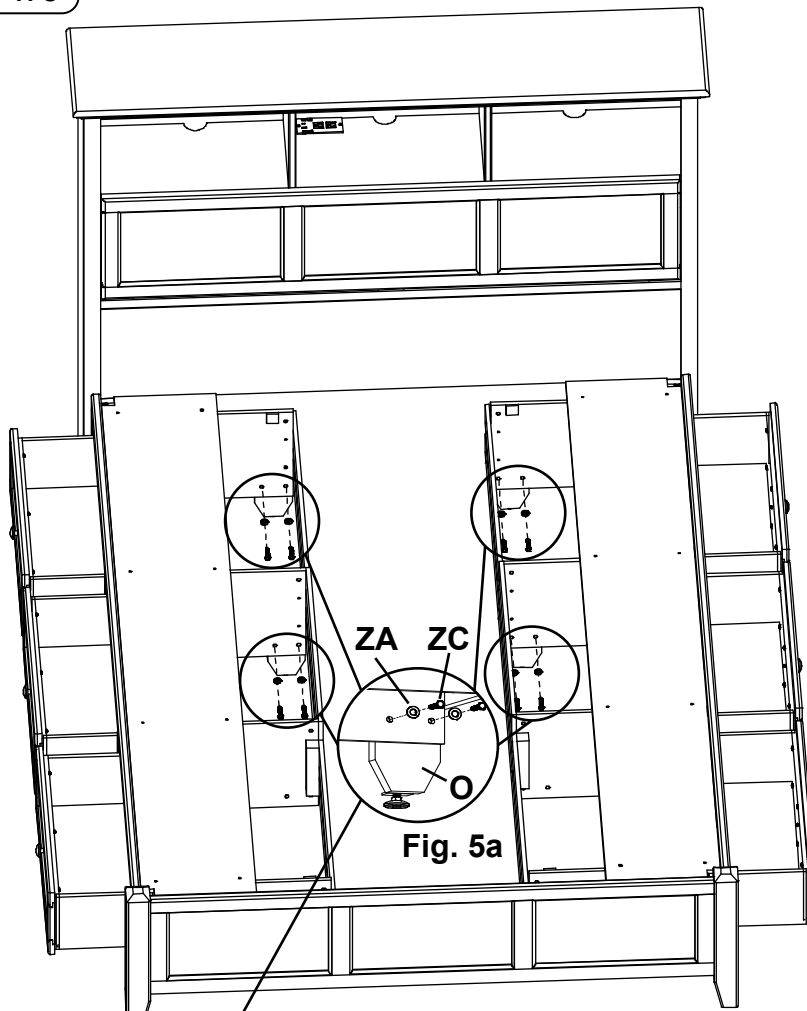
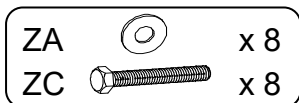


Fig. 4

**2843 McKenzie Queen Classic Bookcase Bed; 2845 McKenzie King Classic Bookcase Bed;
 2850 McKenzie Queen Classic Bookcase Storage Bed; 2851 McKenzie King Classic Bookcase
 Storage Bed; 2844 McKenzie Queen Classic Bookcase Headboard; 2846 McKenzie King
 Classic Bookcase Headboard**
Assembly Instructions
 This assembly requires two people.

5. Open all six drawers and face the headboard. Place and align over the predrilled holes an assembled foot (O) on the backside of the first and second braces nearest the headboard. Attach by inserting 1/4" x 1-1/2" hex bolts (ZC) and washers (ZA). See figures 5, 5a and 5b.

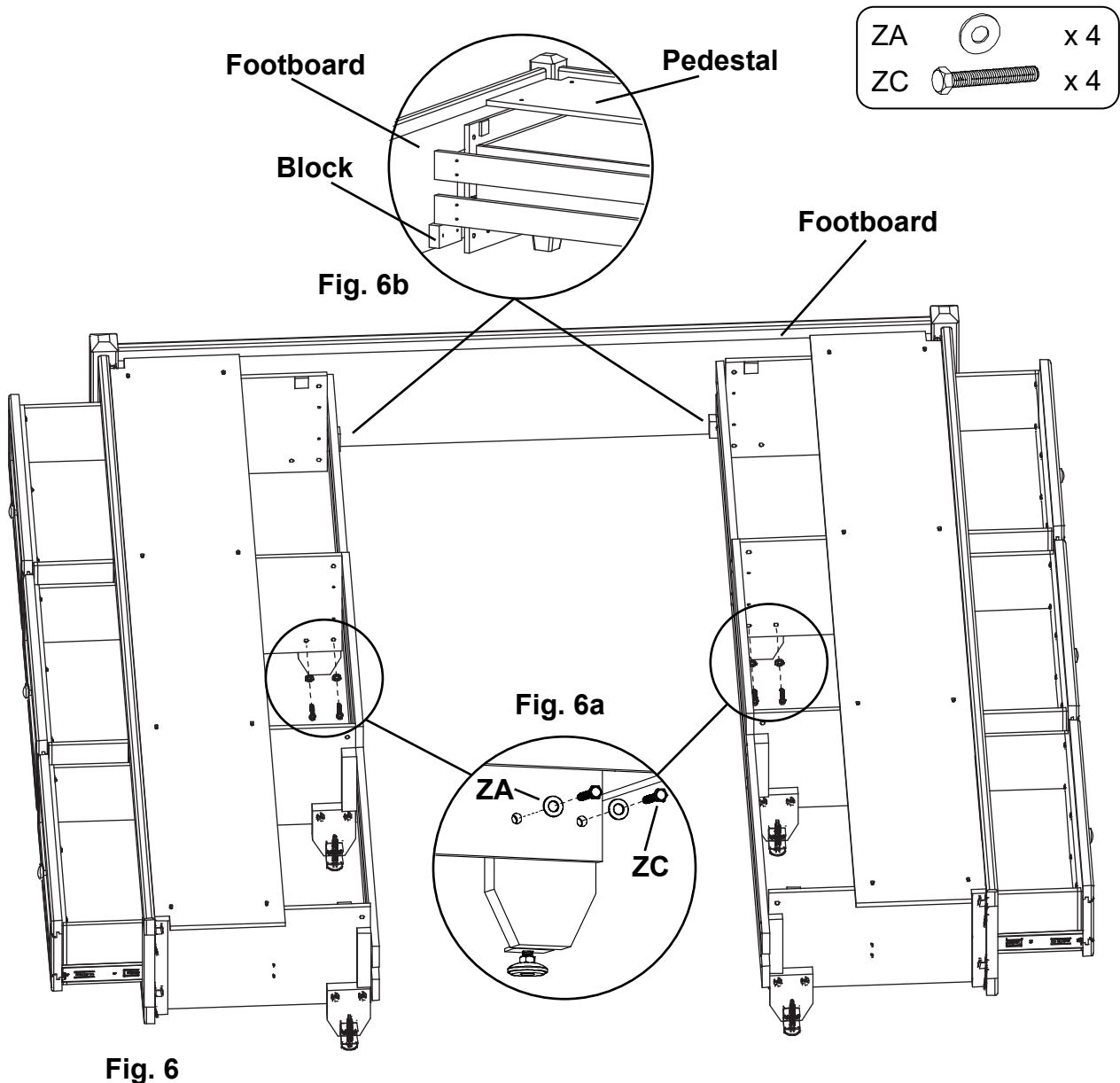
IMPORTANT: Make sure glides touch the floor and carry weight.



**2843 McKenzie Queen Classic Bookcase Bed; 2845 McKenzie King Classic Bookcase Bed;
 2850 McKenzie Queen Classic Bookcase Storage Bed; 2851 McKenzie King Classic Bookcase
 Storage Bed; 2844 McKenzie Queen Classic Bookcase Headboard; 2846 McKenzie King
 Classic Bookcase Headboard**
Assembly Instructions

This assembly requires two people.

- Face the footboard. Do not attach assembled feet to the braces nearest the footboard. There are blocks on the backside of the footboard to support the drawer pedestals. Place and align over the predrilled holes in the brace an assembled foot (O) on the backside of the third brace. Attach by inserting 1/4" x 1-1/2" hex bolts (ZC) and washers (ZA). See figures 6, 6a and 6b.

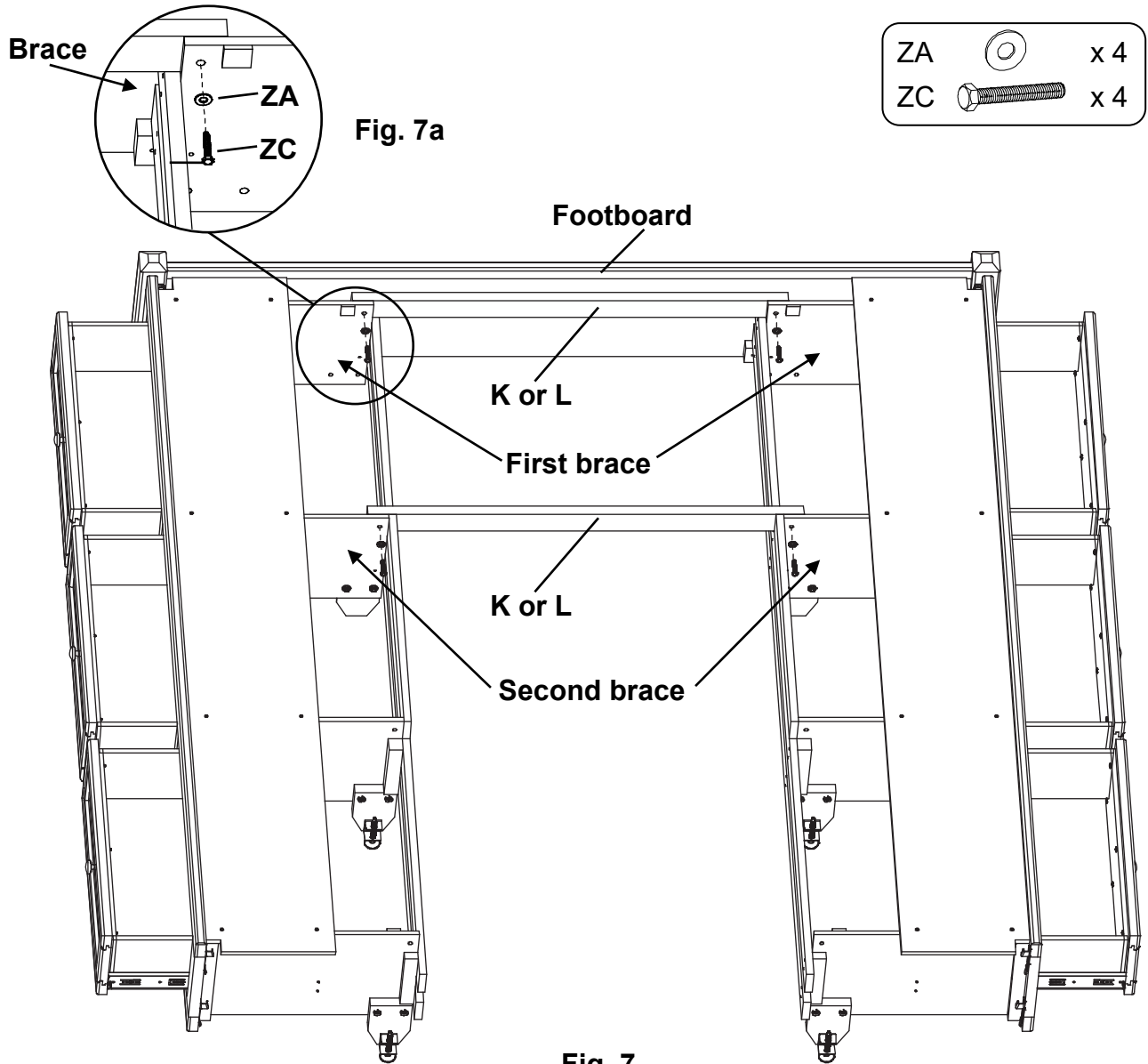


Headboard removed for illustration purposes.

**2843 McKenzie Queen Classic Bookcase Bed; 2845 McKenzie King Classic Bookcase Bed;
2850 McKenzie Queen Classic Bookcase Storage Bed; 2851 McKenzie King Classic Bookcase
Storage Bed; 2844 McKenzie Queen Classic Bookcase Headboard; 2846 McKenzie King
Classic Bookcase Headboard**
Assembly Instructions

This assembly requires two people.

7. Open the drawers. Face the Footboard and stand in between the first and second braces. Place a Trestle with T-Nuts (K or L) on the outside surfaces of the first upper left and right braces so that the T-Nuts (ZB) sit near the top. See Figure 7a. Line up the upper edges of the trestle and braces so they are nearly flush. Insert two 1/4" x 1-1/2" Hex Bolts (ZC) and Washers (ZA) and tighten. Repeat for the second upper brace. See Figures 7 and 7a.



Headboard removed for illustration purposes.

**2843 McKenzie Queen Classic Bookcase Bed; 2845 McKenzie King Classic Bookcase Bed;
2850 McKenzie Queen Classic Bookcase Storage Bed; 2851 McKenzie King Classic Bookcase
Storage Bed; 2844 McKenzie Queen Classic Bookcase Headboard; 2846 McKenzie King
Classic Bookcase Headboard**

Assembly Instructions

This assembly requires two people.

8. Face the Headboard and stand in between the third and fourth braces. Place a Trestle with T-Nuts (K or L) on the outside surfaces of the third **upper** left and right braces so the T-nuts sit near the top. See Figures 8 and 8a. Line up the upper edges of the trestle and braces so they are nearly flush. Insert two 1/4" x 1-1/2" Hex Bolts (ZC) and Washers (ZA) and tighten. Repeat for the fourth braces.

Brace **Trestle with T-Nuts (K or L)**

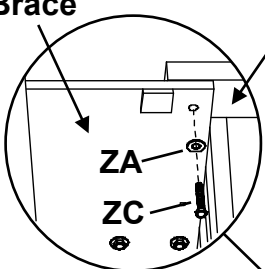




Fig. 8a

ZA		x 4
ZC		x 4

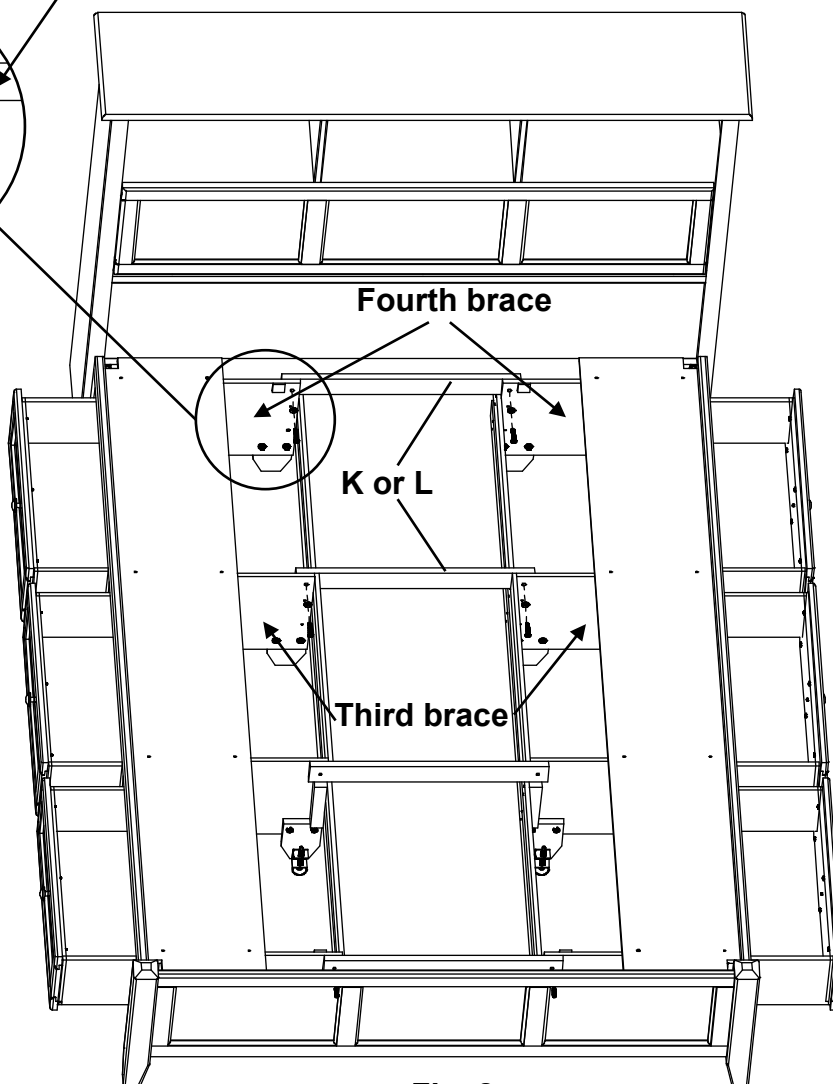


Fig. 8

**2843 McKenzie Queen Classic Bookcase Bed; 2845 McKenzie King Classic Bookcase Bed;
2850 McKenzie Queen Classic Bookcase Storage Bed; 2851 McKenzie King Classic Bookcase
Storage Bed; 2844 McKenzie Queen Classic Bookcase Headboard; 2846 McKenzie King
Classic Bookcase Headboard**

Assembly Instructions

This assembly requires two people.

9. Facing the Footboard, attach the Pedestal Assembly to the Footboard with a 90° Bracket (Z1) and four #6 x 1/2" Philtruss Screws (R). Repeat for the other side. See Figures 9 and 9a.

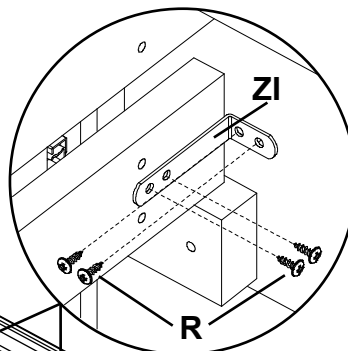
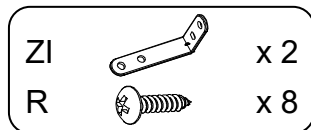


Fig. 9a

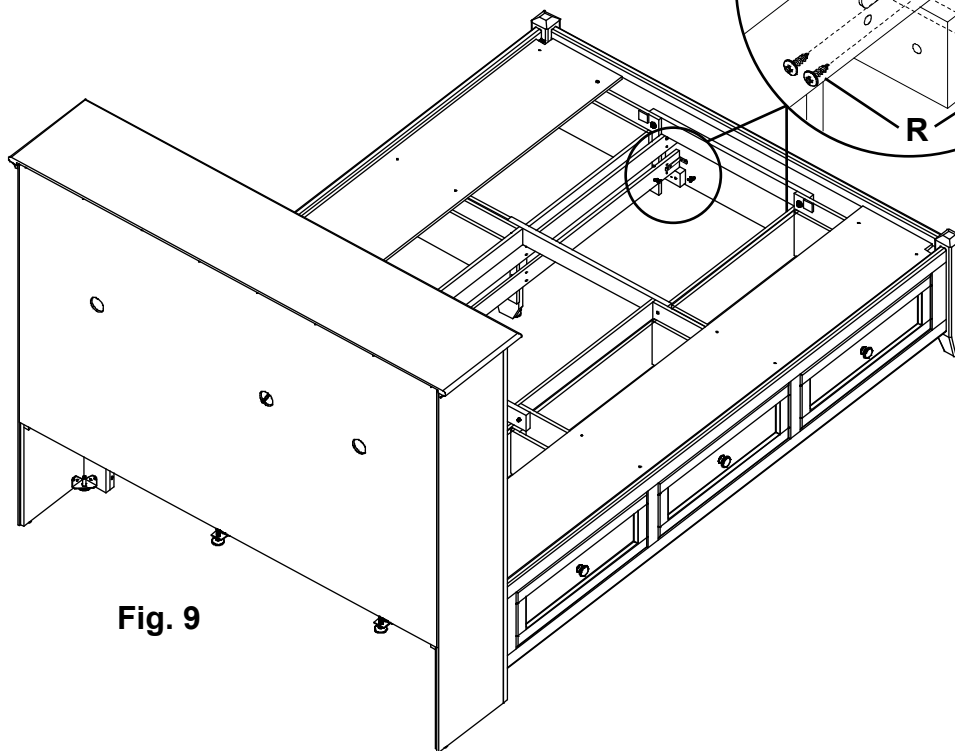


Fig. 9

**2843 McKenzie Queen Classic Bookcase Bed; 2845 McKenzie King Classic Bookcase Bed;
2850 McKenzie Queen Classic Bookcase Storage Bed; 2851 McKenzie King Classic Bookcase
Storage Bed; 2844 McKenzie Queen Classic Bookcase Headboard; 2846 McKenzie King
Classic Bookcase Headboard**

Assembly Instructions

This assembly requires two people.

10. Place your bed in its final position.

To level the headboard, stand in the open area in between the two attached deckboards and reach through the front of the platform. See Figure 10. Using a slotted screwdriver, rotate the Large Adjustable Glide (YI) clockwise until it bears weight. Repeat for the opposite side. See Figures 10a and 10b.

This is important if the bookcase headboard sits upon a carpet tack strip.

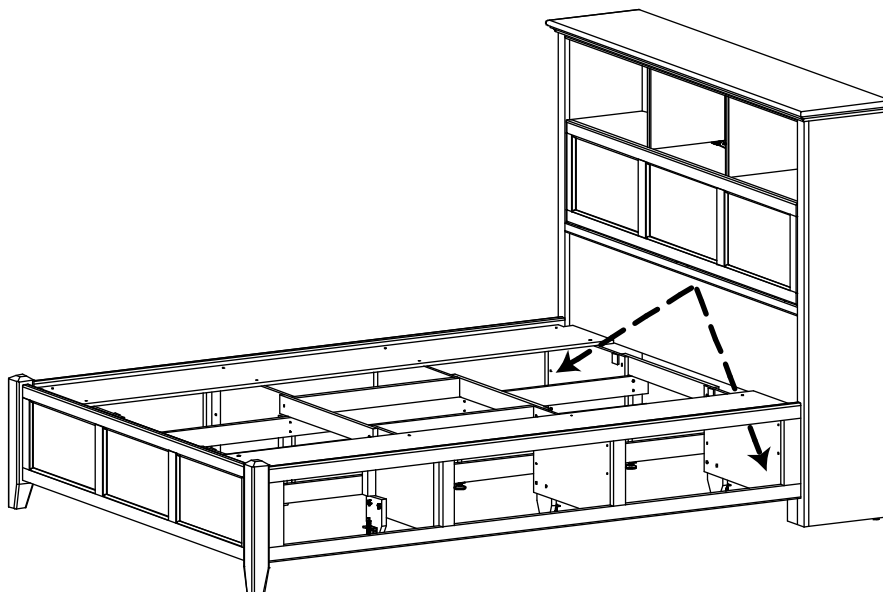


Fig. 10

Drawers removed for illustration purposes.

Fig. 10a

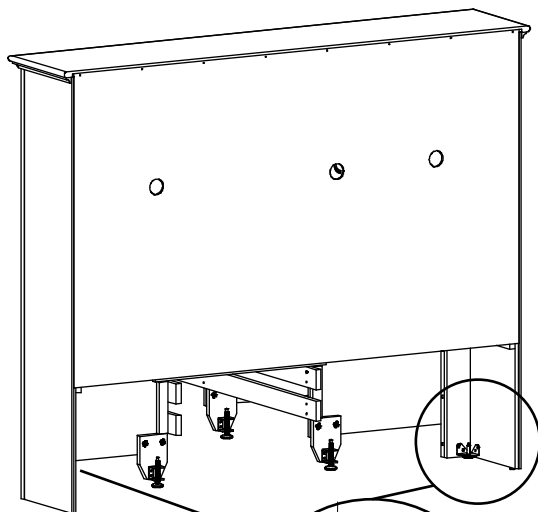
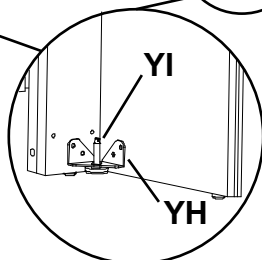


Fig. 10b



The top of the Large Adjustable Glide (YI) is slotted.

**2843 McKenzie Queen Classic Bookcase Bed; 2845 McKenzie King Classic Bookcase Bed;
2850 McKenzie Queen Classic Bookcase Storage Bed; 2851 McKenzie King Classic Bookcase
Storage Bed; 2844 McKenzie Queen Classic Bookcase Headboard; 2846 McKenzie King
Classic Bookcase Headboard**
Assembly Instructions
This assembly requires two people.

11. To make sure the bed is square, measure the distance between opposing corners. If one of the measurements is larger, tap on a footboard leg until the measurement is equal. See Figure 11.

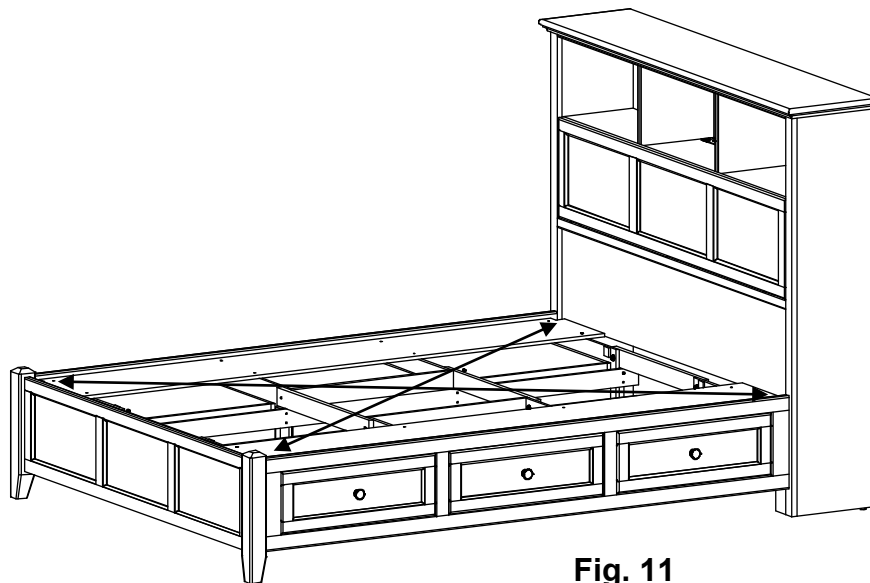
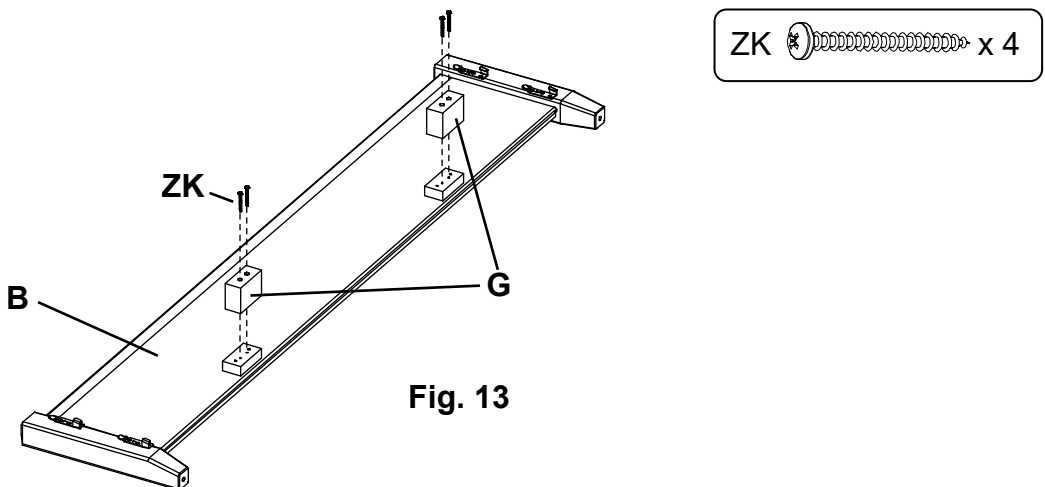


Fig. 11

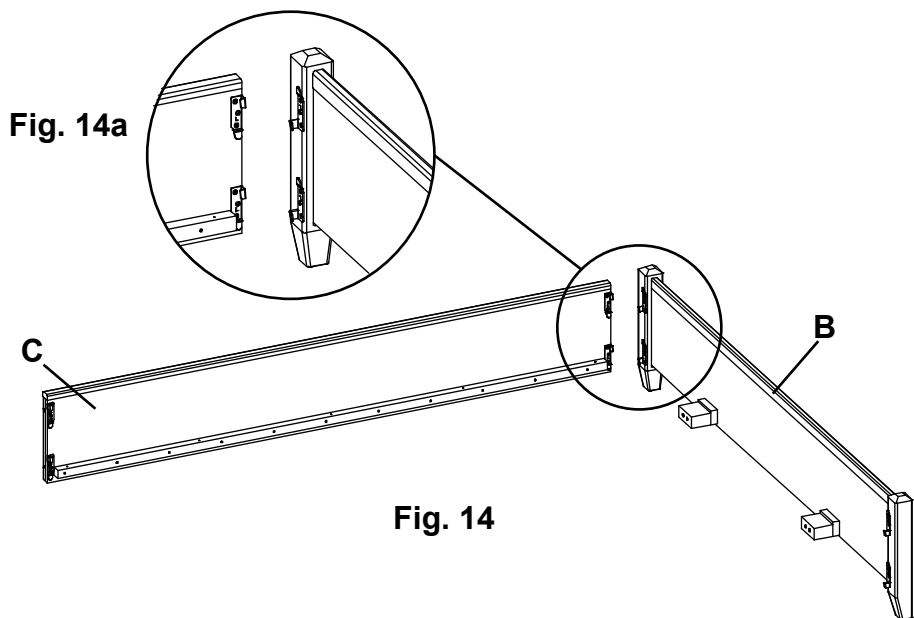
Continued on Page 17

**2843 McKenzie Queen Classic Bookcase Bed; 2845 McKenzie King Classic Bookcase Bed;
2850 McKenzie Queen Classic Bookcase Storage Bed; 2851 McKenzie King Classic Bookcase
Storage Bed; 2844 McKenzie Queen Classic Bookcase Headboard; 2846 McKenzie King
Classic Bookcase Headboard**
Assembly Instructions
This assembly requires two people.

13. Position the Footboard Supports (G) over the blocks that are mounted onto the back side of the Footboard (B) and attach with four #10 x 2" Pan Head Screws (ZK) through the pre-drilled holes in the slat supports and into the location punches on the blocks. See Figure 13.

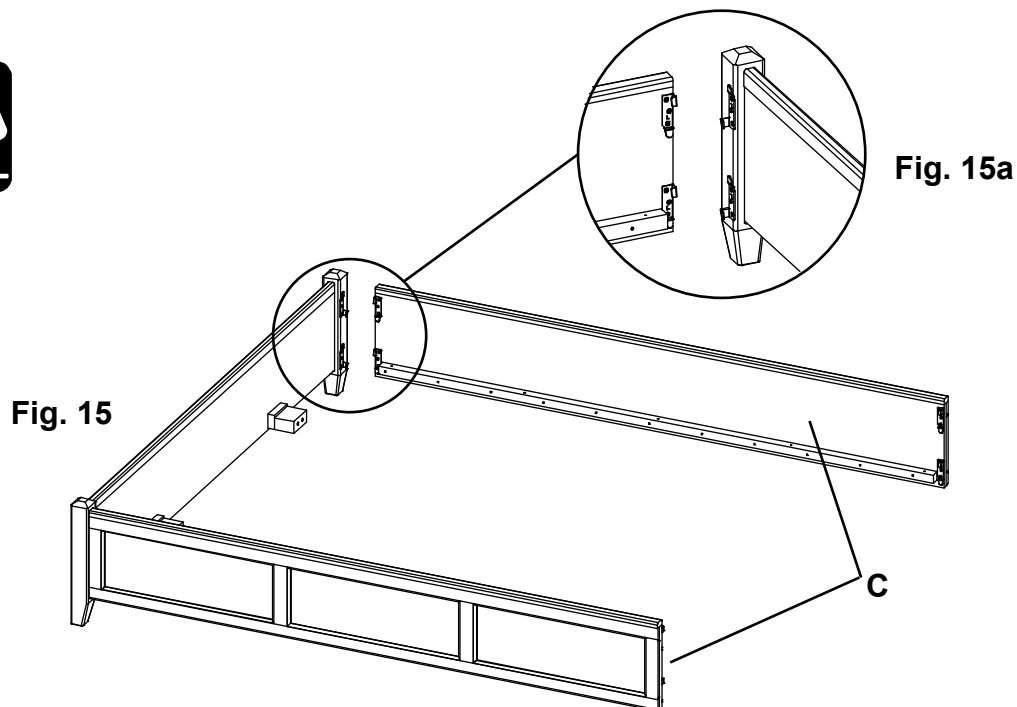


14. To attach the Footboard (B) to the Side Rail (C), align the Brackets and slide the Side Rail (C) down on to the Footboard (B). See Figures 14 and 14a.

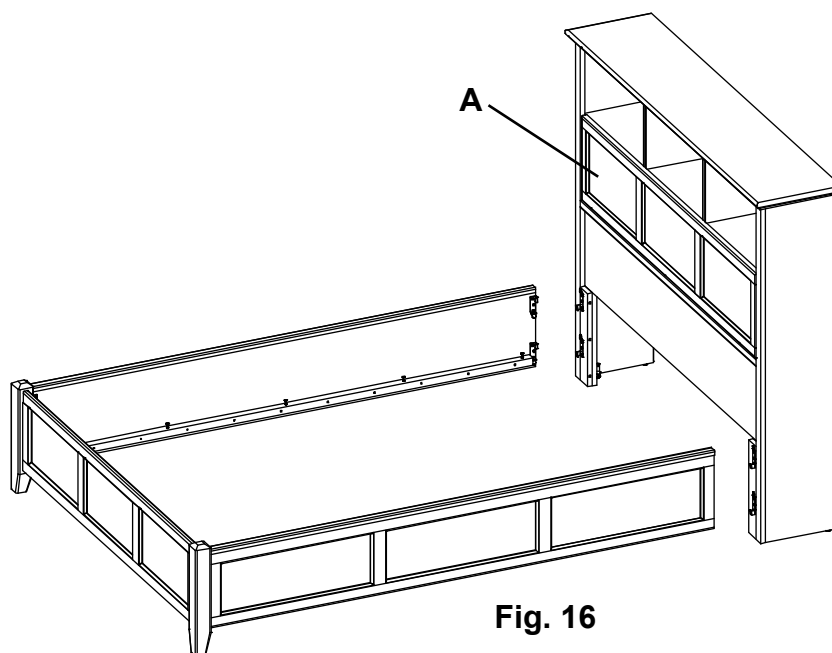


**2843 McKenzie Queen Classic Bookcase Bed; 2845 McKenzie King Classic Bookcase Bed;
2850 McKenzie Queen Classic Bookcase Storage Bed; 2851 McKenzie King Classic Bookcase
Storage Bed; 2844 McKenzie Queen Classic Bookcase Headboard; 2846 McKenzie King
Classic Bookcase Headboard**
Assembly Instructions
This assembly requires two people.

15. Repeat step two for the other side. See Figures 15 and 15a.

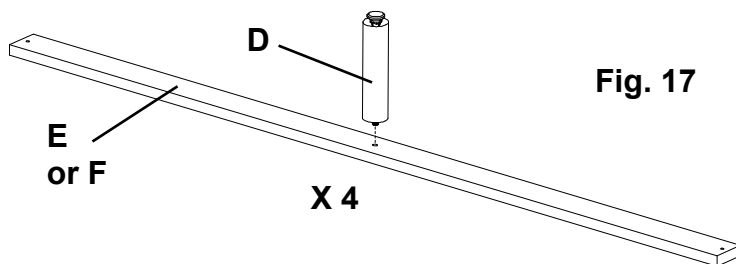


16. Align the Brackets on both sides and slide the Side Rail/Footboard assembly down on to the Headboard (A). See Figure 16.

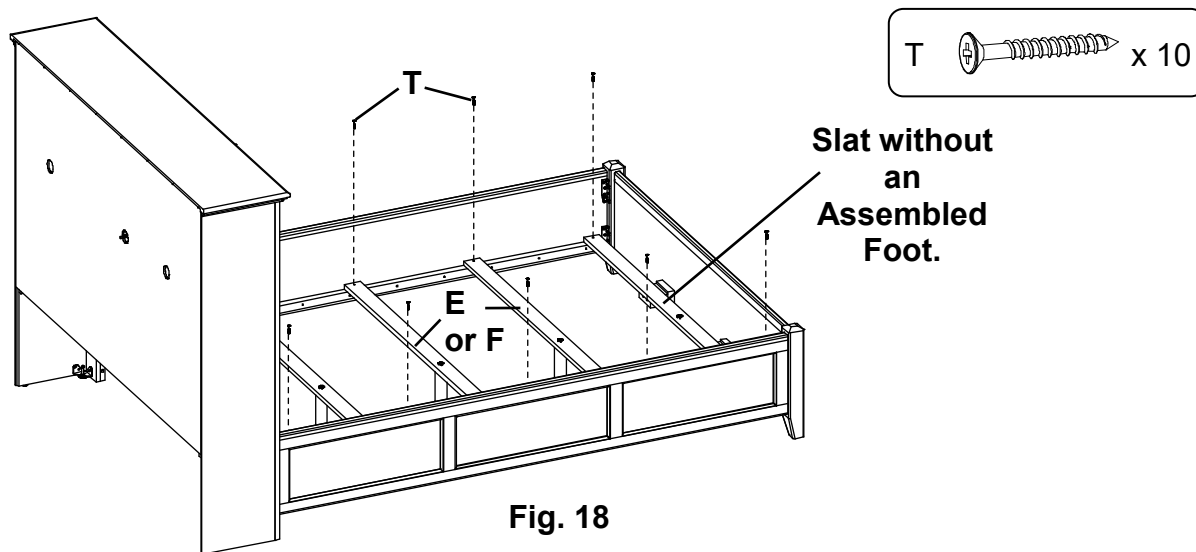


**2843 McKenzie Queen Classic Bookcase Bed; 2845 McKenzie King Classic Bookcase Bed;
2850 McKenzie Queen Classic Bookcase Storage Bed; 2851 McKenzie King Classic Bookcase
Storage Bed; 2844 McKenzie Queen Classic Bookcase Headboard; 2846 McKenzie King
Classic Bookcase Headboard**
Assembly Instructions
This assembly requires two people.

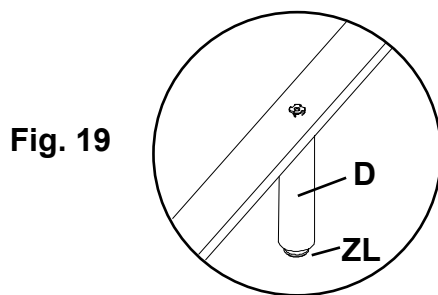
17. Attach an Assembled Foot (D) to four of the five Slats (E or F) as shown in Figure 17.



18. Move the bed assembly to its final position. Position the Slats (E or F) on the bottom edges of the rails and place the slat without the Assembled Foot nearest to the Footboard. Attach with #8 x 1-1/4" Black Screws (T). See Figure 18.



19. Adjust the Adjustable Glides with Hex Nut (ZL) on the Assembled Feet (D) so the Glides (ZL) touch the floor, making sure the Assembled Feet bear weight.



**2843 McKenzie Queen Classic Bookcase Bed; 2845 McKenzie King Classic Bookcase Bed;
2850 McKenzie Queen Classic Bookcase Storage Bed; 2851 McKenzie King Classic Bookcase
Storage Bed; 2844 McKenzie Queen Classic Bookcase Headboard; 2846 McKenzie King
Classic Bookcase Headboard**

Assembly Instructions

This assembly requires two people.

20. Open the Door (ZP). To adjust the brake tension on the Door Stay (YK) turn the screw on the front of the Door Stay clockwise to tighten or counterclockwise to loosen. See Figures 20 and 20a.

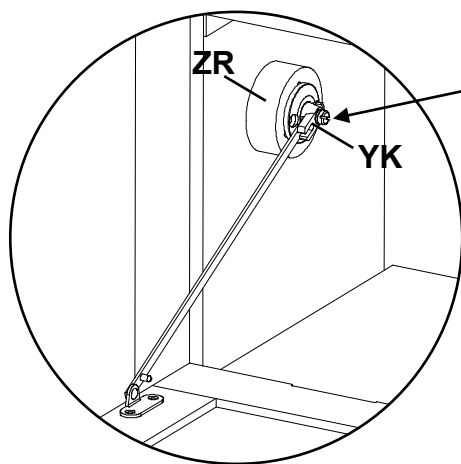


Fig. 20

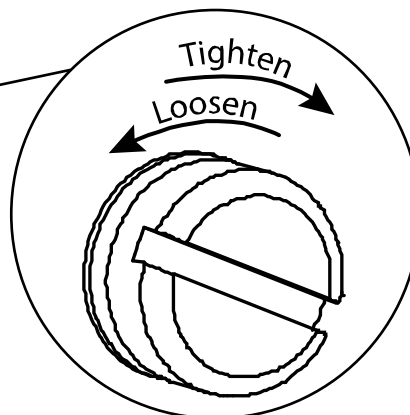


Fig. 20a

Continued on Page 22

**2843 McKenzie Queen Classic Bookcase Bed; 2845 McKenzie King Classic Bookcase Bed;
2850 McKenzie Queen Classic Bookcase Storage Bed; 2851 McKenzie King Classic Bookcase
Storage Bed; 2844 McKenzie Queen Classic Bookcase Headboard; 2846 McKenzie King
Classic Bookcase Headboard**
Assembly Instructions
This assembly requires two people.

21. Unwrap the Adjustable Shelves (ZQ) and place them on top of the rails in the Headboard Assembly (A). Make sure the finger holes face forward as shown in Figures 21 and 21a. After you have placed your electronics inside the cubbies, use the Wire Clips (YE) on the underside of the cubbies to secure the wires. Close the door tightly making sure the magnetic catches and plates securely touch.

(For #2844
Queen Headboard)

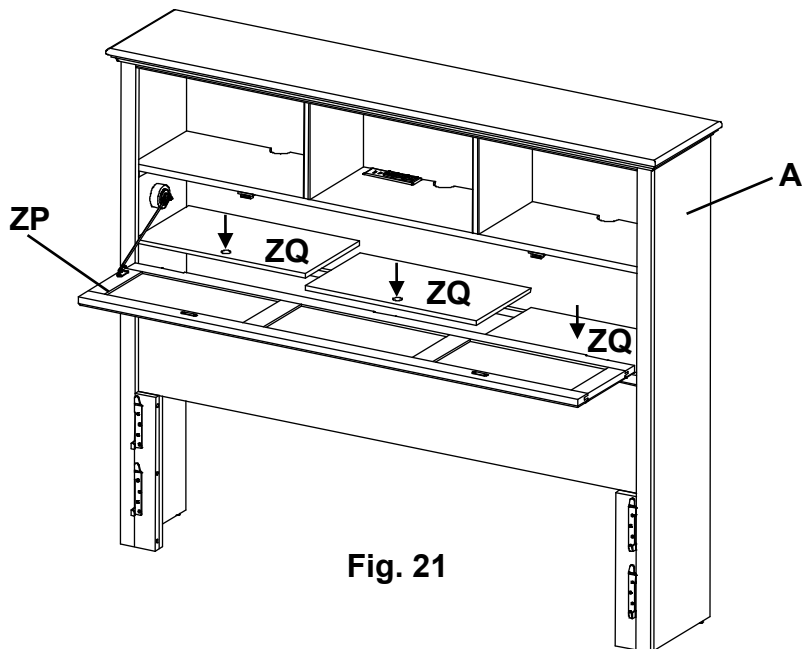


Fig. 21

(For #2846
King Headboard)

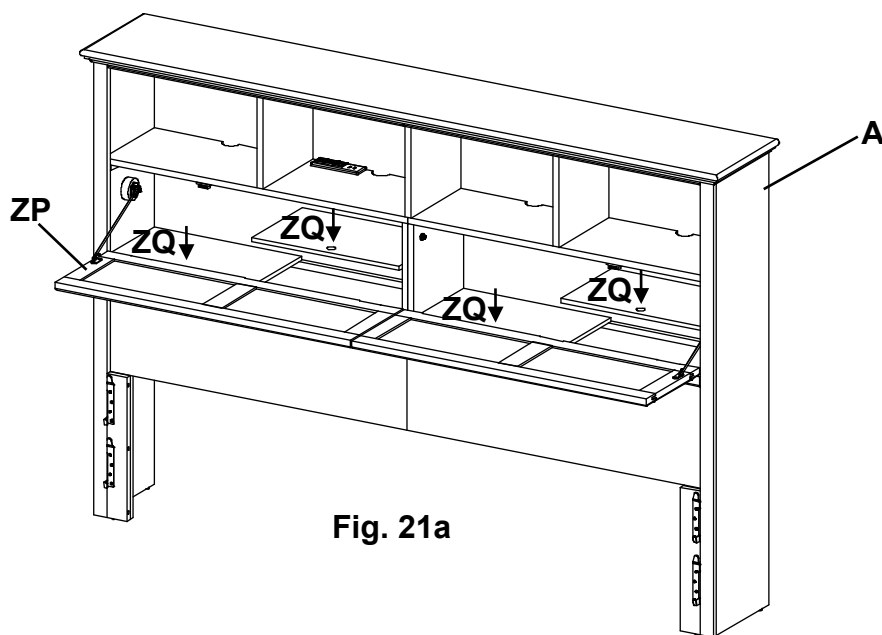


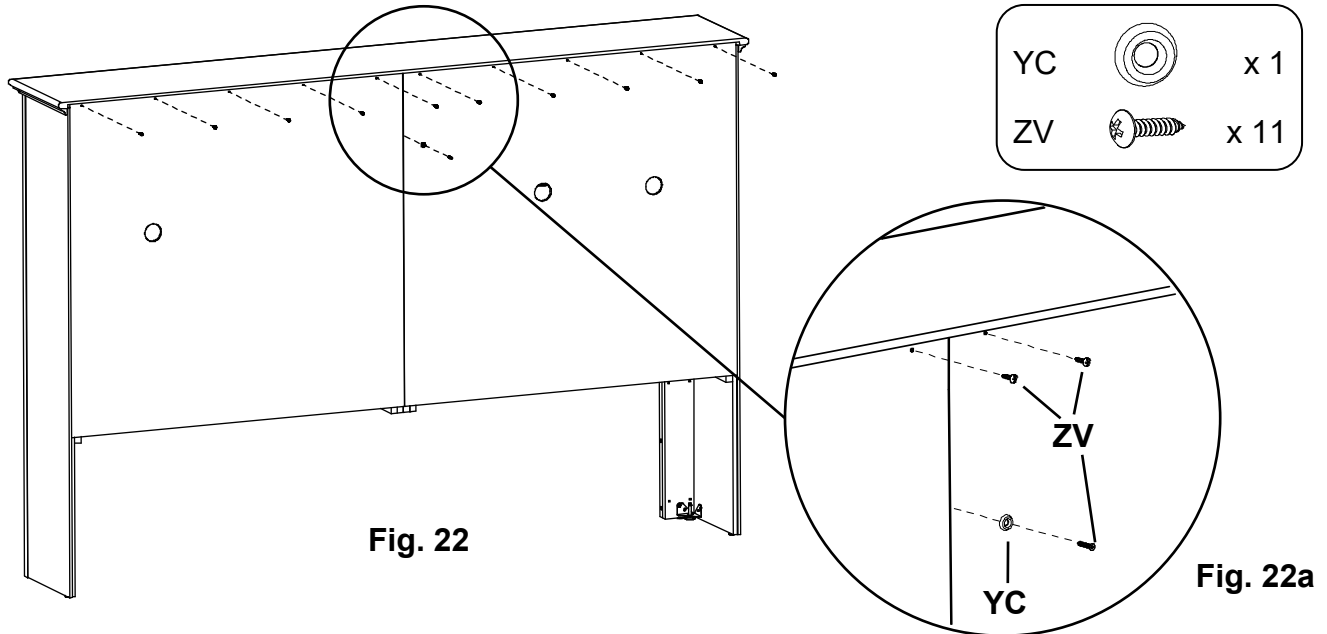
Fig. 21a

**2843 McKenzie Queen Classic Bookcase Bed; 2845 McKenzie King Classic Bookcase Bed;
2850 McKenzie Queen Classic Bookcase Storage Bed; 2851 McKenzie King Classic Bookcase
Storage Bed; 2844 McKenzie Queen Classic Bookcase Headboard; 2846 McKenzie King
Classic Bookcase Headboard**
Assembly Instructions

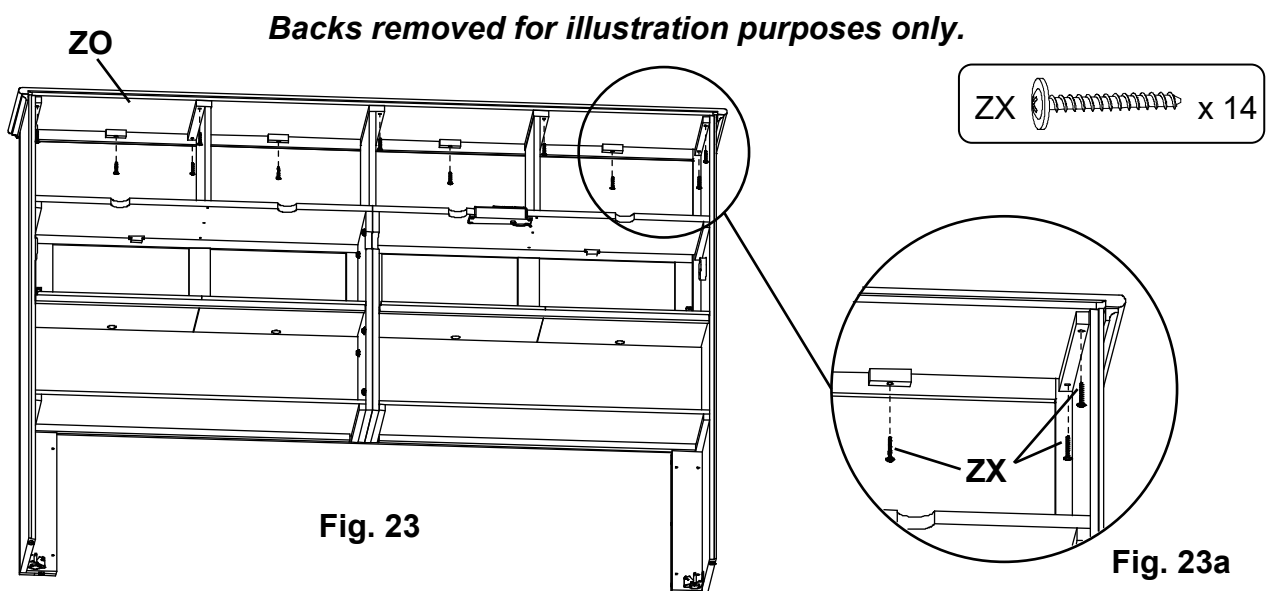
This assembly requires two people.

Optional For McKenzie King Classic Bookcase Headboard (2846):

22. To divide this larger unit into three sub-assemblies, start by removing the Top Assembly (ZO). Remove the #6 x 5/8" Philtruss Screw (ZV) and #8 Washer (YC) connecting the Backs to the Vertical Divider, and the #6 x 5/8" Philtruss Screws (ZV) connecting the backs to the Top Assembly. Do not remove the Backs. See Figures 22 and 22a.



23. Figure 23 shows the locations of the screws that need to be removed. You can access these from the front of the unit. Remove the #8 x 1-3/8" Lo-Profile Screws (ZX) attaching the Sides, Vertical Dividers and Blocks to the Top. Carefully remove the Top Assembly (ZO) from the Case. See Figures 23 and 23a.



**2843 McKenzie Queen Classic Bookcase Bed; 2845 McKenzie King Classic Bookcase Bed;
2850 McKenzie Queen Classic Bookcase Storage Bed; 2851 McKenzie King Classic Bookcase
Storage Bed; 2844 McKenzie Queen Classic Bookcase Headboard; 2846 McKenzie King
Classic Bookcase Headboard**
Assembly Instructions

This assembly requires two people.

24. Open the Doors and remove the 1/4" x 1-1/2" Hex Bolts (ZC) and 18mm Washers (ZA). See Figures 24 and 24a.

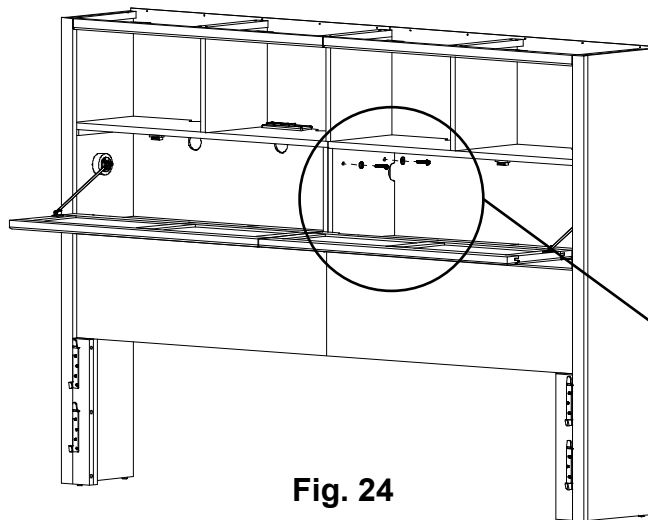


Fig. 24

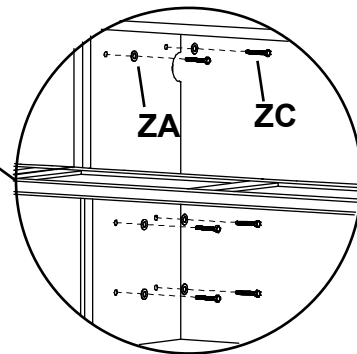
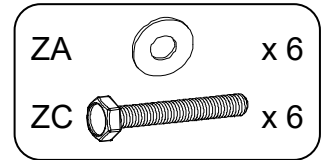


Fig. 24a

25. Carefully separate the two halves of the Case Assembly. See Figures 25 and 25a.

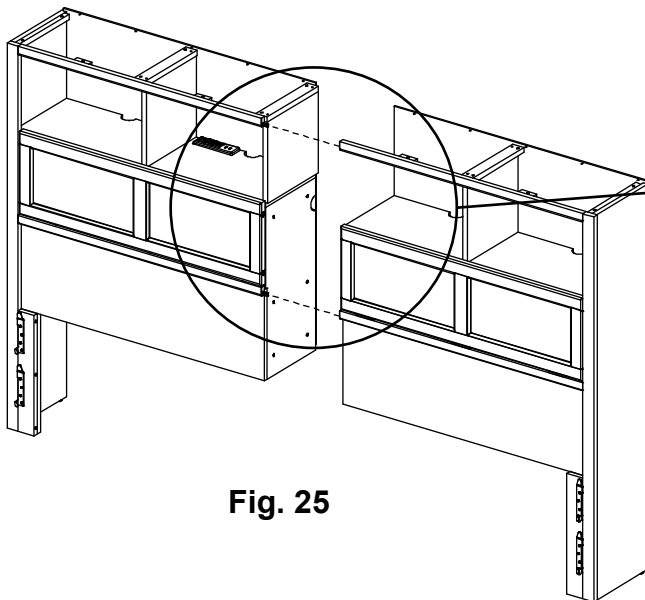


Fig. 25

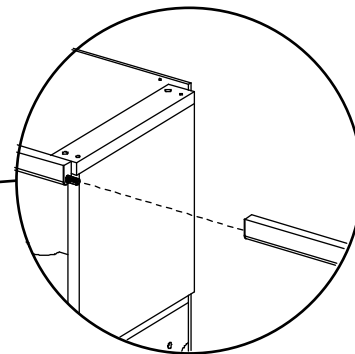


Fig. 25a

26. After moving the headboard sections into your room reassemble the Headboard by reversing these steps.

if you are using a Hollywood frame, please refer to the instructions beginning on page 24.

**2843 McKenzie Queen Classic Bookcase Bed; 2845 McKenzie King Classic Bookcase Bed;
2850 McKenzie Queen Classic Bookcase Storage Bed; 2851 McKenzie King Classic Bookcase
Storage Bed; 2844 McKenzie Queen Classic Bookcase Headboard; 2846 McKenzie King
Classic Bookcase Headboard**

Assembly Instructions

This assembly requires two people.

Optional For 2844 McKenzie Queen Classic Bookcase Headboard ONLY or 2846 McKenzie King Classic Bookcase Headboard ONLY:

Note: Assembly for the McKenzie King Classic Bookcase Headboard ONLY (2846) can be separated into three pieces for ease of maneuvering through narrow halls and stairways; if you need to perform this process see steps 22 through 26.

27. Remove the metal brackets attached to the Headboard (A).
28. Place the Headboard (A) against the end brackets of the frame and mark the locations for the screws. Drill pilot holes approximately 1-1/4" deep. To make sure you don't drill deeper, measure 1-1/4" up from the end of the drill bit and wrap a piece of tape around the bit. Stop drilling when the edge of the tape meets the wood.
29. Position the Headboard (A) against the frame and attach using six #14 x 1-1/4" Pan Head Screws (YL) and six Washers (ZA).
30. Place your bed in its final position. To level the headboard, reach behind the bookcase front legs and, using a slotted screwdriver, find the Large Adjustable Glide (YI). Using a slotted screwdriver, rotate the Large Adjustable Glides (YI) clockwise until they bear weight. See Figures 30, 30a and 30b.
This is important if the bookcase headboard sits upon a carpet tack strip.

