


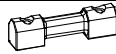



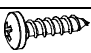

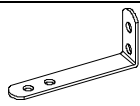
# Bookcase Tipping Restraint Instructions



## Safety First! Anchor It!



Before you begin this assembly, identify each part and make sure the quantities received match what is on this list. If you need to replace a part, contact Whittier Wood Furniture customer service and refer to the following list for its name and letter code.

Part	Description	Quantity
A	Cam Buckle and Short Strap (installed) 	1
B	Plastic Bracket (installed) 	1
C	1" x 1000mm Long Strap (installed) 	1
D	#8 x 3" Pan Head Screw 	2
F	Washer (installed) 	1
G	#8 x 5/8" Pan Head Screw 	1
H	#8 x 1-1/4" Pan Head Screw 	2 (1 inserted)
I	"L" Angle Bracket 	1

### ⚠ WARNING

Children have died from furniture tipover. To reduce the risk of furniture tipover:

- ALWAYS install Anti-tip device provided.
- NEVER put a TV on this product.
- NEVER allow children to stand, climb or hang on any drawers, doors or shelves.
- Place heaviest items on the lowest shelves.

Use of Anti-tip devices may only reduce, but not eliminate, the risk of tip over.

**Attention:** Attached to the bottom of or included with this unit is a Anti-tip device kit. When you receive your furniture, be sure to find and install the Anti-tip device as instructed in the kit. If you cannot locate the restraint, please contact us immediately for replacement.

### ☎ CONTACT US

Our friendly customer service staff can be reached Monday-Friday 7:00 a.m. to 5:00 p.m. (Pacific Time).  
You may leave a message 24 hours a day, seven days a week.

800-653-3336 • Outside the U.S. or Canada: 541-687-0213 • Fax: 541-687-2060  
www.whittierwood.com • P.O. Box 2827 • Eugene, Oregon 97402, U.S.A.



P.O. Box 2827  
Eugene, OR 97402 USA

Production Code:

VN

rev. 06/23

# Assembly Instructions



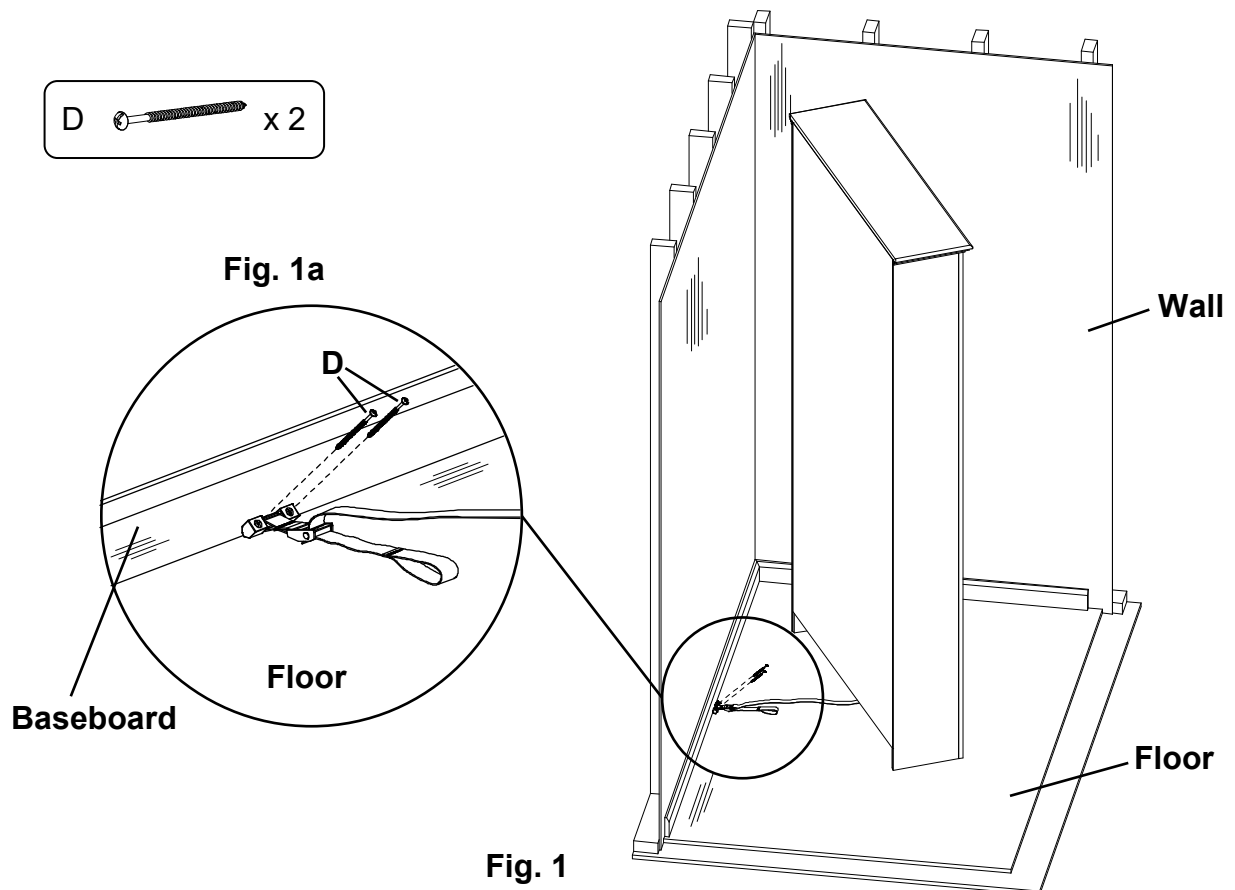
This assembly requires two people.

## Recommended Floor Mounting

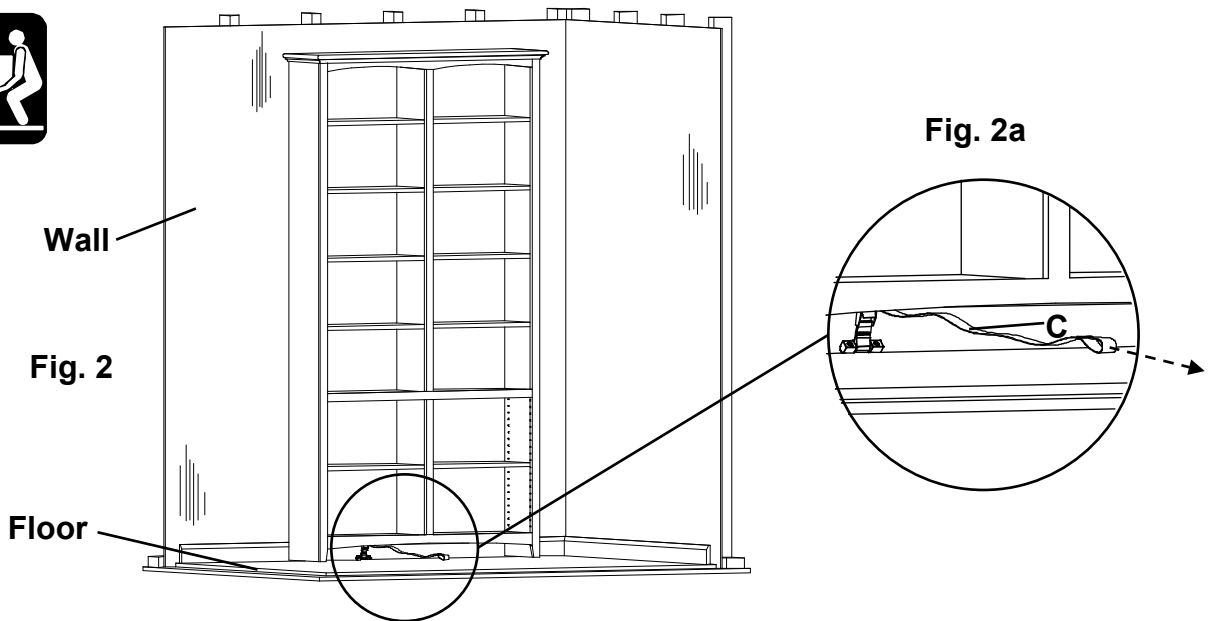
**Tools Required: Phillips Screwdriver, Pencil.**

**This attachment method is recommended for floors with carpeting, wood, laminate or vinyl. If you are not able or do not want to attach at the edge of your floor an alternate method of attaching is provided beginning on page 3.**

1. Decide where you want to place the bookcase in your room. Mark the baseboard with a pencil mark directly behind the location where the tipping restraint is attached to your item. Move the item away from the wall far enough to allow you to access the spot where the baseboard meets the floor. Position the straps and Plastic Bracket (B) as shown in Figures 1 and 1a with the angled corners of the Plastic Bracket (B) firmly placed against the seam of the baseboard and floor. Attach by driving #8 x 3" Pan Head Screws (D) through the holes in the Plastic Bracket (B) into the seam below the baseboard where it meets the floor. See Figures 1 and 1a.



- Move the item back into position against the wall and reach underneath the bookcase to grasp the loop in the free end of the strap. Pull the free end of the strap until portion between the Cam Buckle (A) and the bottom of the item is tight. See Figures 2 and 2a. If you need to move the bookcase reach beneath and locate the buckle which connects the two sections of the strap and depress the release lever, then pull on the section of strap that is between the buckle and the bottom of the furniture until there is enough slack to allow you to pull the item away from the wall.

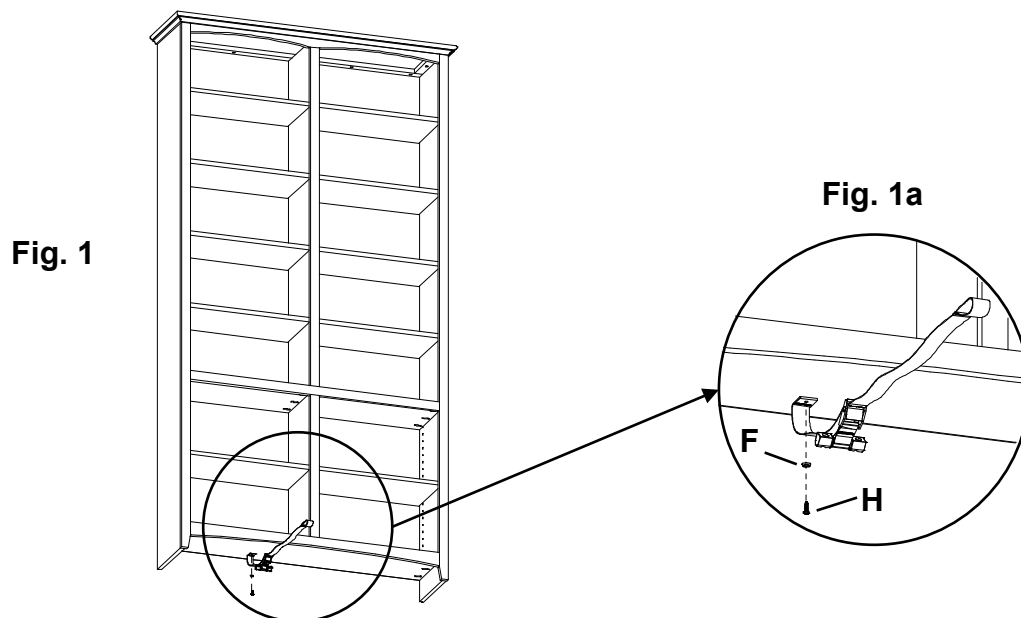


If you are not able or do not want to attach at the edge of your floor, the following steps offer you two alternate methods.

### Alternative #1: Attaching to the wall with the strap.

**Tools Required: Phillips Screwdriver, Tape Measure, Pencil, optional: Drill and 1/16" Drill bit**

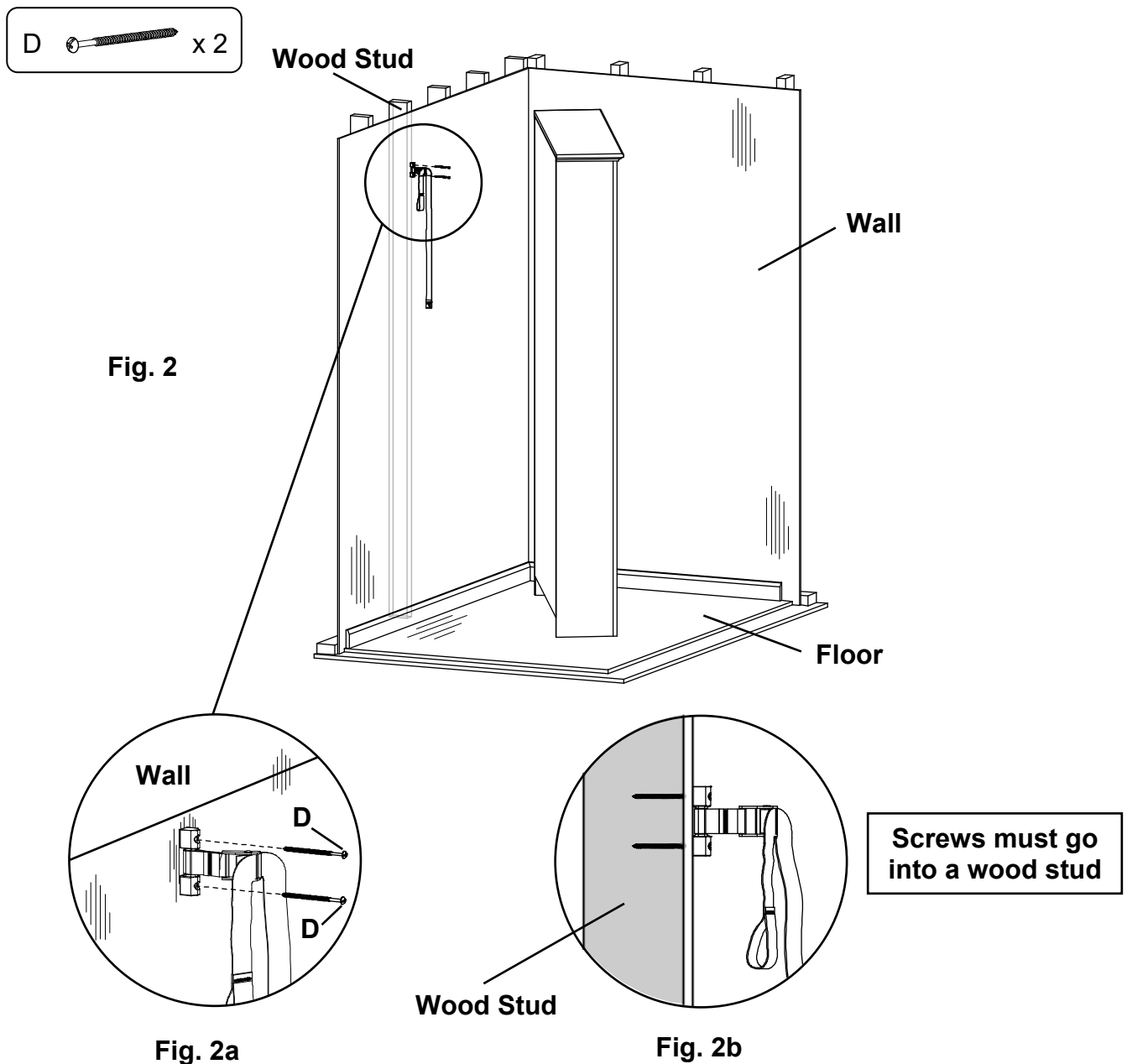
- Locate where the Tipping Restraint is attached to the bottom of the bookcase and remove the #8 x 1-1/4" Pan Head Screw (H) and Washer (F) along with the Tipping Restraint. See Figures 1 and 1a.



## 2. Decide where you want to place the bookcase.

Move the case away from the wall and locate the wood studs behind the case. A strong small magnet is helpful to locate the studs in the wall. The magnet will help you find the nails or screws used to attach the wall to the studs. When you have found a screw you have found a stud. Studs are usually 16" on center. Choose the wooden stud which is closest to the center of your case. Measure 4" down from the top of your bookcase then place a small pencil mark on your wall over the stud. Position the Plastic Bracket (B) of the Tipping Restraint vertically against the wall with the top edge lined up to the mark you have made, attach the flat side against the wall, using two #8 x 3" Pan Head Screws (D). See Figures 2 and 2a.

**The screws attaching your bookcase to the wall MUST BE INSERTED INTO A WALL STUD. DO NOT ATTEMPT TO USE WALL ANCHORS. See Figure 2b.**



### 3. Attaching strap to bookcase.

The strap will be attached to the case directly above where the other end of the tipping restraint is attached to the wall. The strap should be screwed to the back of the case just below the top. (There is a wood rib behind the back which the screw must go into). Drilling a small pilot hole for the screw will help you to put the screw in easily. If you have a power screwdriver and P-2 bit pre-drilling is not necessary. See figures 3 and 3a.

**Note: Strap does not need to be screwed in center of the case. Screw it where it lines up directly above and in-line with the stud where the other end of tipping restraint is attached to the wall.**

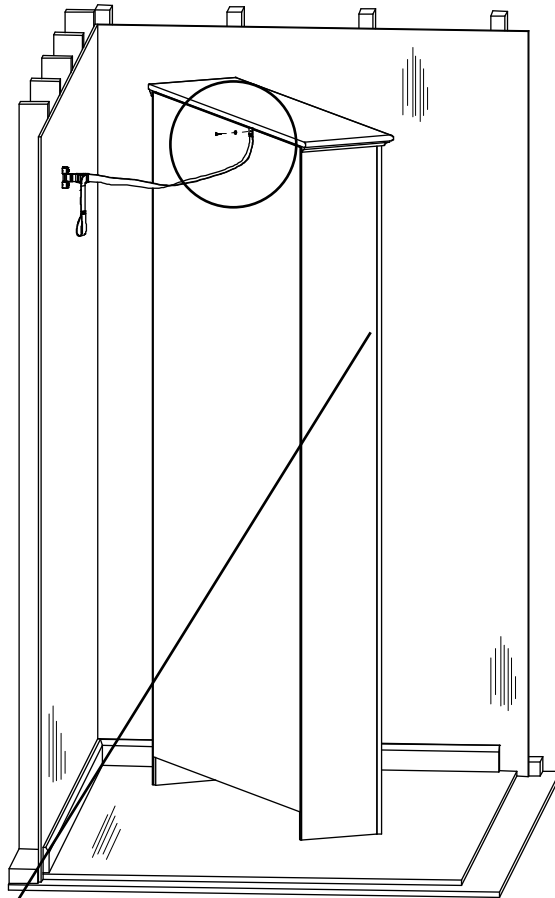


Fig. 3

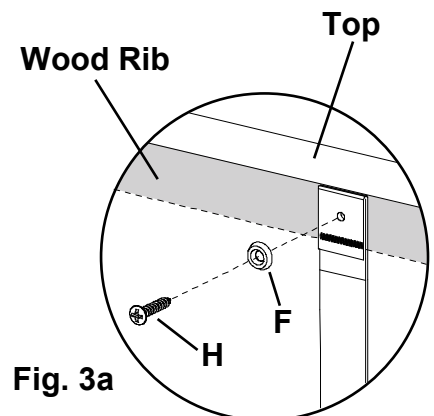
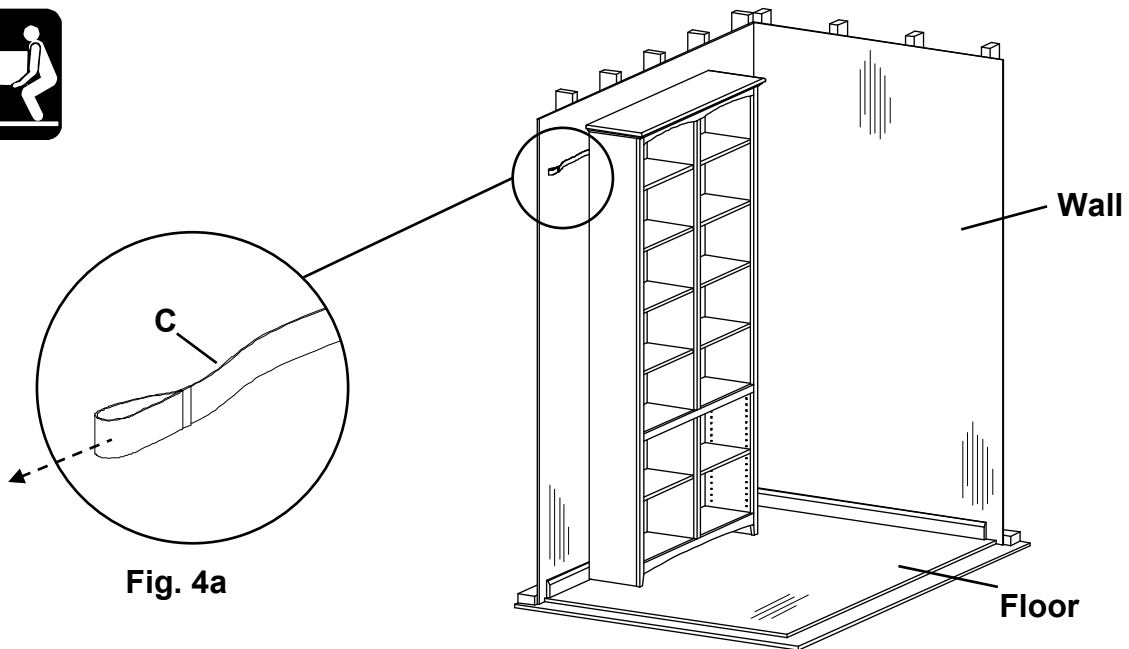


Fig. 3a

**Screw just below top  
into the wood rib**

4. Place your bookcase close to the wall. Reach behind and pull the loop end of the Long Strap (C) toward the end of the bookcase until the strap is tight. Once you have enough length of the strap drawn through to reach past the end of the bookcase shift the piece as close to the wall as possible and retighten the strap. See Figures 4 and 4a.

If you need to move the bookcase reach behind and locate the buckle which connects the two sections of the strap and depress the release lever, then pull on the section of strap that is between the buckle and the back of the bookcase until there is enough slack to allow you to pull the item away from the wall.



*Continued on Page 7*

## Alternative #2: Attaching to the wall with an angle bracket.

**Tools Required: Phillips Screwdriver, Tape Measure, Pencil, optional: Drill and 1/16" Drill bit**

1. Move the case away from the wall and locate the wood studs behind the case. A strong small magnet is helpful to locate the studs in the wall. The magnet will help you find the nails or screws used to attach the wall to the studs. When you have found a screw you have found a stud. Studs are usually 16" on center. Choose the wooden stud which is closest to the center of your case. Attach the "L" Angle Bracket (I) to the wall stud with a #8 x 1-1/4" Pan Head Screw (H) so that the other half of the bracket may be attached to the top of the bookcase with a #8 x 5/8" Pan Head Screw (G). See Figure 1.

**The screws attaching your furniture to the wall MUST BE INSERTED INTO A WALL STUD. DO NOT ATTEMPT TO USE WALL ANCHORS. See Figure 1b.**

